

# Controlled Cycle Ferrule Crimp Tools-Square Die

Ergonomically shaped handle is designed with soft grips to greatly reduce hand slippage and fatigue. Ratchet cycling guarantees complete crimping of insulated and uninsulated, loose piece ferrule end sleeves.



## Key Features and Benefits

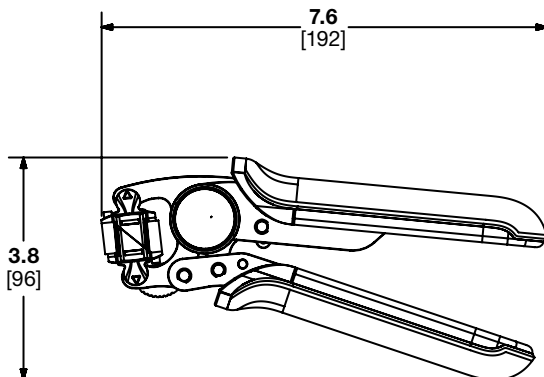
<b>Tool-less die removal:</b>	The crimp die can easily be removed from the handle, without the use of any tools. Available in square or trapezium crimp shape.
<b>Swappable dies:</b>	The square and trapezium die are interchangeable within the same handle, allowing the user to carry one less hand tool. Dies available separately.
<b>Rotating crimp die:</b>	Die rotates 360 degrees for easy adaptability and in-field use.
<b>Ratcheting cycling:</b>	Integrated, releasable ratchet cycling, guarantees complete crimping.
<b>Soft molded handles:</b>	Ergonomically comfort molded handles designed to reduce hand fatigue.
<b>Environmentally responsible:</b>	The tool and its packaging are 100% recyclable.

## Technical Information

<b>Wire range:</b>	28-6AWG
<b>Tool dimensions (LxWxH):</b>	7.54 in x 4.00 in x .92 in (191.5mm x 101.6mm x 23.2mm)

## Applications

The crimp die, which can rotate freely, enables the insertion and crimping of ferrules from any angle without causing strain to the operator. This tool is versatile, accommodating a wide variety of wire end ferrules, whether insulated or not, single or twin, and across a broad range of wire sizes.



Part Number	Part	Crimp Shape
CT-1201	Handle & Die	Square
CD-1201	Die only	Square

### WORLDWIDE SUBSIDIARIES AND SALES OFFICES

PANDUIT US/CANADA  
Phone: 800.777.3300

PANDUIT EUROPE LTD.  
London, UK  
Phone: 44.20.8601.7200

PANDUIT SINGAPORE PTE. LTD.  
Republic of Singapore  
Phone: 65.6305.7575

PANDUIT JAPAN  
Tokyo, Japan  
Phone: 81.3.6863.6000

PANDUIT LATIN AMERICA  
Guadalajara, Mexico  
Phone: 52.33.3777.6000

PANDUIT AUSTRALIA PTY. LTD.  
Victoria, Australia  
Phone: 61.3.9794.9020

For a copy of Panduit product warranties, log on to [www.panduit.com/warranty](http://www.panduit.com/warranty)