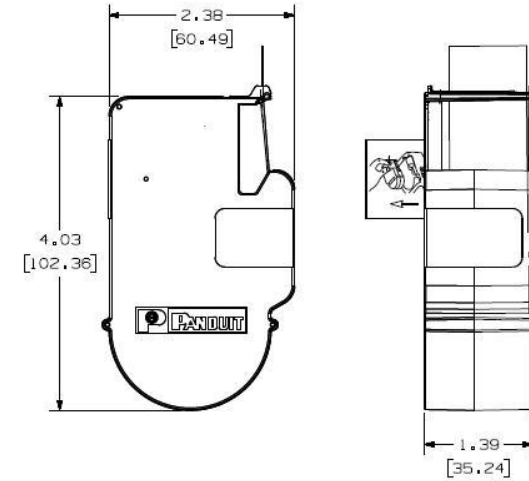
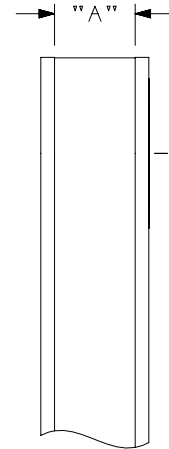


THIS COPY IS PROVIDED ON A RESTRICTED BASIS AND IS NOT TO BE USED IN ANY WAY DETRIMENTAL TO THE INTERESTS OF PANDUIT CORP.

| PART NO. | PART DESCRIPTION | LABEL "A" | MATERIAL | ROLL LENGTH |
|----------------|---------------------------------|---------------|----------|-------------|
| T019X000FJC-BK | BLACK ON WHITE, POLYOLEFIN TAPE | 0.19 [4.83] | GMPO4 | 300" |
| T024X000FJC-BK | BLACK ON WHITE, POLYOLEFIN TAPE | 0.24 [6.10] | GMV14 | |
| T024X000YKC-BK | BLACK ON CLEAR, POLYESTER TAPE | | GMV15 | |
| T024X000VPC-BK | BLACK ON WHITE, VINYL TAPE | | GMV14 | |
| T024X000VYC-WH | WHITE ON BLACK, VINYL TAPE | | GMV15 | |
| T031X000FJC-BK | BLACK ON WHITE, POLYOLEFIN TAPE | 0.31 [7.87] | GMPO4 | |
| T038X000FJC-BK | BLACK ON WHITE, POLYOLEFIN TAPE | 0.38 [9.65] | GMV14 | |
| T038X000VPC-BK | BLACK ON WHITE, VINYL TAPE | | GMV15 | |
| T038X000VQC-BK | BLACK ON BLUE, VINYL TAPE | | GMV14 | |
| T038X000VQC-WH | WHITE ON BLUE, VINYL TAPE | | GMV15 | |
| T038X000VSC-BK | BLACK ON GREEN, VINYL TAPE | | GMV14 | |
| T038X000VSC-WH | WHITE ON GREEN, VINYL TAPE | | GMV15 | |
| T038X000VUC-BK | BLACK ON ORANGE, VINYL TAPE | | GMV14 | |
| T038X000VUC-WH | WHITE ON ORANGE, VINYL TAPE | | GMV15 | |
| T038X000VVC-BK | BLACK ON RED, VINYL TAPE | | GMV14 | |
| T038X000VVC-WH | WHITE ON RED, VINYL TAPE | | GMV15 | |
| T038X000VXC-BK | BLACK ON YELLOW, VINYL TAPE | GMV14 | | |
| T038X000VYC-WH | WHITE ON BLACK, VINYL TAPE | GMV15 | | |
| T038X000YKC-BK | BLACK ON CLEAR, POLYESTER TAPE | GMV14 | | |



1 OF 3



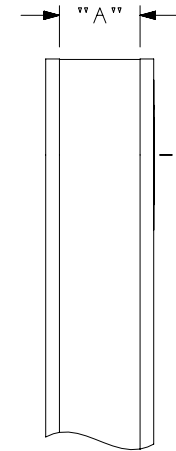
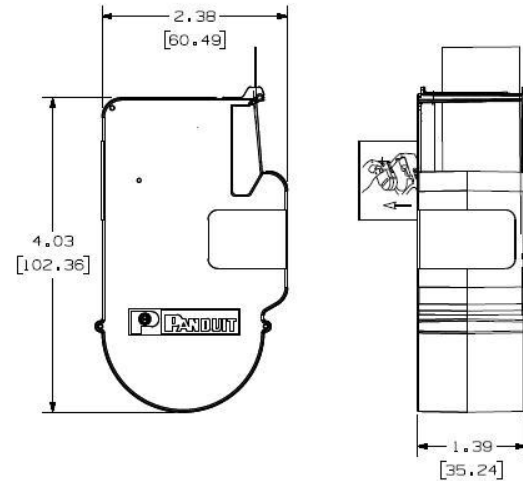
NOTES:
1. DIMENSIONS IN [] ARE IN MILLIMETERS.

| 6 | 9/18/19 | RVU | JW | JHAC | ADDED NEW PART NUMBERS, T100X000RWC-WH, WHITE ON RED, REFLECTIVE VINYL, AND ROLL LENGTH 216" to table. | GAECN04996 |
|-----|----------|-----|------|------|--|------------|
| 5 | 7/12/18 | RVU | JW | JHAC | GMRS1 WAS GMRS. Remove T100X000YKC-WH and T050X000YKC-WH. | GAECN04617 |
| 4 | 10/3/14 | RVU | SEWH | MSAD | T038X000VXC-BK, T050X000VXC-BK, T075X000VXC-BK AND T100X000VXC-BK, MATERIAL: GMV14 WAS GMV15. REMOVE NOTE 2. COMBINE OTHER DWG., C10866, & C10867. | GAECN02340 |
| 3 | 10/12/12 | RVU | SEWH | MSAD | T024X000VPC-BK, T038X000VPC-BK, T050X000VPC-BK, T075X000VPC-BK, T100X000VPC-BK, MATERIAL: GMV14 WAS GMV15. | GAECN00369 |
| 2 | 10/19/10 | RVU | | | UPDATE ALL TABLE FROM THE NEW PART NO. | 6195 |
| 1 | 4/14/09 | LDG | | | ADDED T050X000VPC-RD, T100X000VPC-RD. | 5702 |
| REV | DATE | BY | CHK | APR | DESCRIPTION | ECN |

| TITLE | | CUSTOMER DRAWING | |
|---|---------|-----------------------|-------|
| P1 T***X*** CASSETTE CONTINUOUS TAPE LABEL | | ITEM REVISION NAME | |
| | | 100743B0/29 | |
| DATASET FILE NAME | | 100743B0_DC_C10695/29 | |
| UNLESS OTHERWISE SPECIFIED, DIMENSIONAL TOLERANCES ARE: IN [mm] | | MATERIAL: | |
| .x ± .xxx ± .025 [.635] | | SEE TABLE | |
| .xx ± .03 [.762] ANGLES ± | | DRAWING NUMBER: | |
| THIRD ANGLE PROJECTION | | C10695 | |
| DRAWN BY | DATE | CHK | SCALE |
| RVU | 4/30/08 | MSAD | NTS |
| SHT 1 OF 1 | | | SIZE |
| | | | A |

THIS COPY IS PROVIDED ON A RESTRICTED BASIS AND IS NOT TO BE USED IN ANY WAY DETRIMENTAL TO THE INTERESTS OF PANDUIT CORP.

| P1 CASSETTE PART NO. | PART DESCRIPTION | LABEL "A" | MATERIAL | ROLL LENGTH | |
|----------------------|--------------------------------|-------------------|----------|-------------|-------|
| T050X000VPC-BK | BLACK ON WHITE, VINYL TAPE | 0.50 [12.70] | GMV14 | 300" | |
| T050X000VPC-RD | RED ON WHITE, VINYL TAPE | | GMV15 | | |
| T050X000YKC-BK | BLACK ON CLEAR, POLYESTER TAPE | | GMV4-C | | |
| T050X000VXC-BK | BLACK ON YELLOW, VINYL TAPE | | GMV14 | | |
| T050X000VUC-BK | BLACK ON ORANGE, VINYL TAPE | | GMV15 | | |
| T050X000VWC-BK | BLACK ON RED, VINYL TAPE | | | | |
| T050X000VSC-BK | BLACK ON GREEN, VINYL TAPE | | | | |
| T050X000VQC-BK | BLACK ON BLUE, VINYL TAPE | | | | |
| T050X000VYC-WH | WHITE ON BLACK, VINYL TAPE | | | | |
| T050X000VQC-WH | WHITE ON BLUE, VINYL TAPE | | | | |
| T050X000VSC-WH | WHITE ON GREEN, VINYL TAPE | | | | |
| T050X000VWC-WH | WHITE ON RED, VINYL TAPE | | | | |
| T075X000VPC-BK | BLACK ON WHITE, VINYL TAPE | 0.75 [19.05] | | | GMV14 |
| T075X000VQC-BK | BLACK ON BLUE, VINYL TAPE | | | | GMV15 |
| T075X000VQC-WH | WHITE ON BLUE, VINYL TAPE | | | | |
| T075X000VSC-BK | BLACK ON GREEN, VINYL TAPE | | | | |
| T075X000VSC-WH | WHITE ON GREEN, VINYL TAPE | | | | |
| T075X000VUC-BK | BLACK ON ORANGE, VINYL TAPE | | | | |
| T075X000VWC-BK | BLACK ON RED, VINYL TAPE | | | | |
| T075X000VWC-WH | WHITE ON RED, VINYL TAPE | | | | |
| T075X000VXC-BK | BLACK ON YELLOW, VINYL TAPE | | GMV14 | | |
| T075X000VYC-WH | WHITE ON BLACK, VINYL TAPE | | GMV15 | | |
| T075X000YKC-BK | BLACK ON CLEAR, POLYESTER TAPE | | GMV4-C | | |



2 OF 3

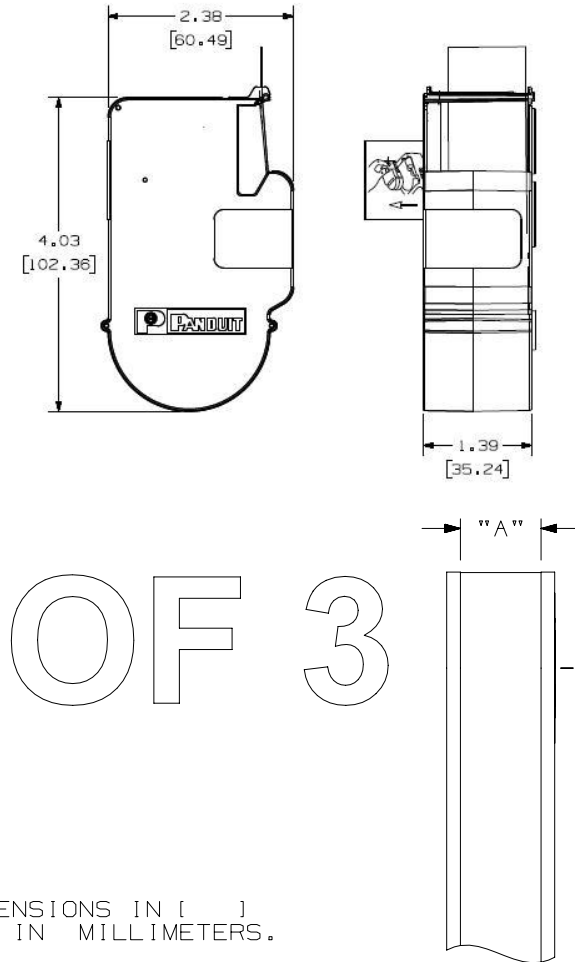
NOTES:
1. DIMENSIONS IN [] ARE IN MILLIMETERS.

| 6 | 9/18/19 | RVU | JW | JHAC | ADDED NEW PART NUMBERS, T100X000RWC-WH, WHITE ON RED, REFLECTIVE VINYL, AND ROLL LENGTH 216" to table. | GAECN04996 |
|-----|----------|-----|------|------|--|------------|
| 5 | 7/12/18 | RVU | JW | JHAC | GMRS1 WAS GMRS. Remove T100X000YKC-WH and T050X000YKC-WH. | GAECN04617 |
| 4 | 10/3/14 | RVU | SEWH | MSAD | T038X000VXC-BK, T050X000VXC-BK, T075X000VXC-BK AND T100X000VXC-BK, MATERIAL: GMV14 WAS GMV15. REMOVE NOTE 2. COMBINE OTHER DWG., C10866, & C10867. | GAECN02340 |
| 3 | 10/12/12 | RVU | SEWH | MSAD | T024X000VPC-BK, T038X000VPC-BK, T050X000VPC-BK, T075X000VPC-BK, T100X000VPC-BK, MATERIAL: GMV14 WAS GMV15. | GAECN00369 |
| 2 | 10/19/10 | RVU | | | UPDATE ALL TABLE FROM THE NEW PART NO. | 6195 |
| 1 | 4/14/09 | LDG | | | ADDED T050X000VPC-RD, T100X000VPC-RD. | 5702 |
| REV | DATE | BY | CHK | APR | DESCRIPTION | ECN |

| TITLE | | CUSTOMER DRAWING | |
|---|---------|-----------------------|-------|
| P1 T***X*** CASSETTE CONTINUOUS TAPE LABEL | | | |
| ITEM REVISION NAME | | 10074380/29 | |
| DATASET FILE NAME | | 10074380_DC_C10695/29 | |
| UNLESS OTHERWISE SPECIFIED, DIMENSIONAL TOLERANCES ARE: IN [mm] | | MATERIAL: | |
| .x ± .03 [.762] | | SEE TABLE | |
| .xxx ± .025 [.635] | | DRAWING NUMBER: | |
| ANGLES ± | | C10695 | |
| THIRD ANGLE PROJECTION | | SHT 1 OF 1 | |
| DRAWN BY | DATE | CHK | SCALE |
| RVU | 4/30/08 | MSAD | NTS |
| REV | | SIZE | |
| A | | A | |

THIS COPY IS PROVIDED ON A RESTRICTED BASIS AND IS NOT TO BE USED IN ANY WAY DETRIMENTAL TO THE INTERESTS OF PANDUIT CORP.

| P1 CASSETTE PART NO. | PART DESCRIPTION | LABEL "A" | MATERIAL | ROLL LENGTH |
|----------------------|-----------------------------------|-------------------|----------|-------------|
| T100X000VPC-BK | BLACK ON WHITE, VINYL TAPE | 1.00 [25.40] | GMV15 | 300" |
| T100X000VPC-RD | RED ON WHITE, VINYL TAPE | | GMV14 | |
| T100X000YKC-BK | BLACK ON CLEAR, POLYESTER TAPE | | GMV4-C | |
| T100X000VXC-BK | BLACK ON YELLOW, VINYL TAPE | | GMV14 | |
| T100X000VUC-BK | BLACK ON ORANGE, VINYL TAPE | | GMV15 | |
| T100X000VWC-BK | BLACK ON RED, VINYL TAPE | | | |
| T100X000VSC-BK | BLACK ON GREEN, VINYL TAPE | | | |
| T100X000VQC-BK | BLACK ON BLUE, VINYL TAPE | | | |
| T100X000VYC-WH | WHITE ON BLACK, VINYL TAPE | | | |
| T100X000VXC-WH | WHITE ON YELLOW, VINYL TAPE | | | |
| T100X000VUC-WH | WHITE ON ORANGE, VINYL TAPE | | GMRS1 | |
| T100X000VWC-WH | WHITE ON RED, VINYL TAPE | | | |
| T100X000VSC-WH | WHITE ON GREEN, VINYL TAPE | | | |
| T100X000VQC-WH | WHITE ON BLUE, VINYL TAPE | | | |
| T100X000RPC-BK | BLACK ON WHITE, REFLECTIVE VINYL | | | |
| T100X000RUC-BK | BLACK ON ORANGE, REFLECTIVE VINYL | | | |
| T100X000RWC-WH | WHITE ON RED, REFLECTIVE VINYL | 216" | | |
| T100X000RXC-BK | BLACK ON YELLOW, REFLECTIVE VINYL | | | |



NOTES:
1. DIMENSIONS IN [] ARE IN MILLIMETERS.

| 6 | 9/18/19 | RVU | JW | JHAC | ADDED NEW PART NUMBERS, T100X000RWC-WH, WHITE ON RED, REFLECTIVE VINYL, AND ROLL LENGTH 216" to table. | GAECN04996 |
|-----|----------|-----|------|------|--|------------|
| 5 | 7/12/18 | RVU | JW | JHAC | GMRS1 WAS GMRS. Remove T100X000YKC-WH and T050X000YKC-WH. | GAECN04617 |
| 4 | 10/3/14 | RVU | SEWH | MSAD | T038X000VXC-BK, T050X000VXC-BK, T075X000VXC-BK AND T100X000VXC-BK, MATERIAL: GMV14 WAS GMV15. REMOVE NOTE 2. COMBINE OTHER DWG., C10866, & C10867. | GAECN02340 |
| 3 | 10/12/12 | RVU | SEWH | MSAD | T024X000VPC-BK, T038X000VPC-BK, T050X000VPC-BK, T075X000VPC-BK, T100X000VPC-BK, MATERIAL: GMV14 WAS GMV15. | GAECN00369 |
| 2 | 10/19/10 | RVU | | | UPDATE ALL TABLE FROM THE NEW PART NO. | 6195 |
| 1 | 4/14/09 | LDG | | | ADDED T050X000VPC-RD, T100X000VPC-RD. | 5702 |
| REV | DATE | BY | CHK | APR | DESCRIPTION | ECN |

| TITLE | |
|--|-----------------------|
| P1 T***X*** CASSETTE CONTINUOUS TAPE LABEL | |
| CUSTOMER DRAWING | |
| ITEM REVISION NAME | 10074380/29 |
| DATASET FILE NAME | 10074380_DC_C10695/29 |
| UNLESS OTHERWISE SPECIFIED, DIMENSIONAL TOLERANCES ARE: IN [mm] | |
| .x ± .03 [.762] | .xxx ± .025 [.635] |
| ANGLES ± | |
| | |
| THIRD ANGLE PROJECTION | |
| MATERIAL: SEE TABLE | |
| DRAWING NUMBER: C10695 | |
| DRAWN BY | DATE |
| RVU | 4/30/08 |
| CHK | SCALE |
| MSAD | NTS |
| SHT 1 OF 1 | |
| SIZE A | |