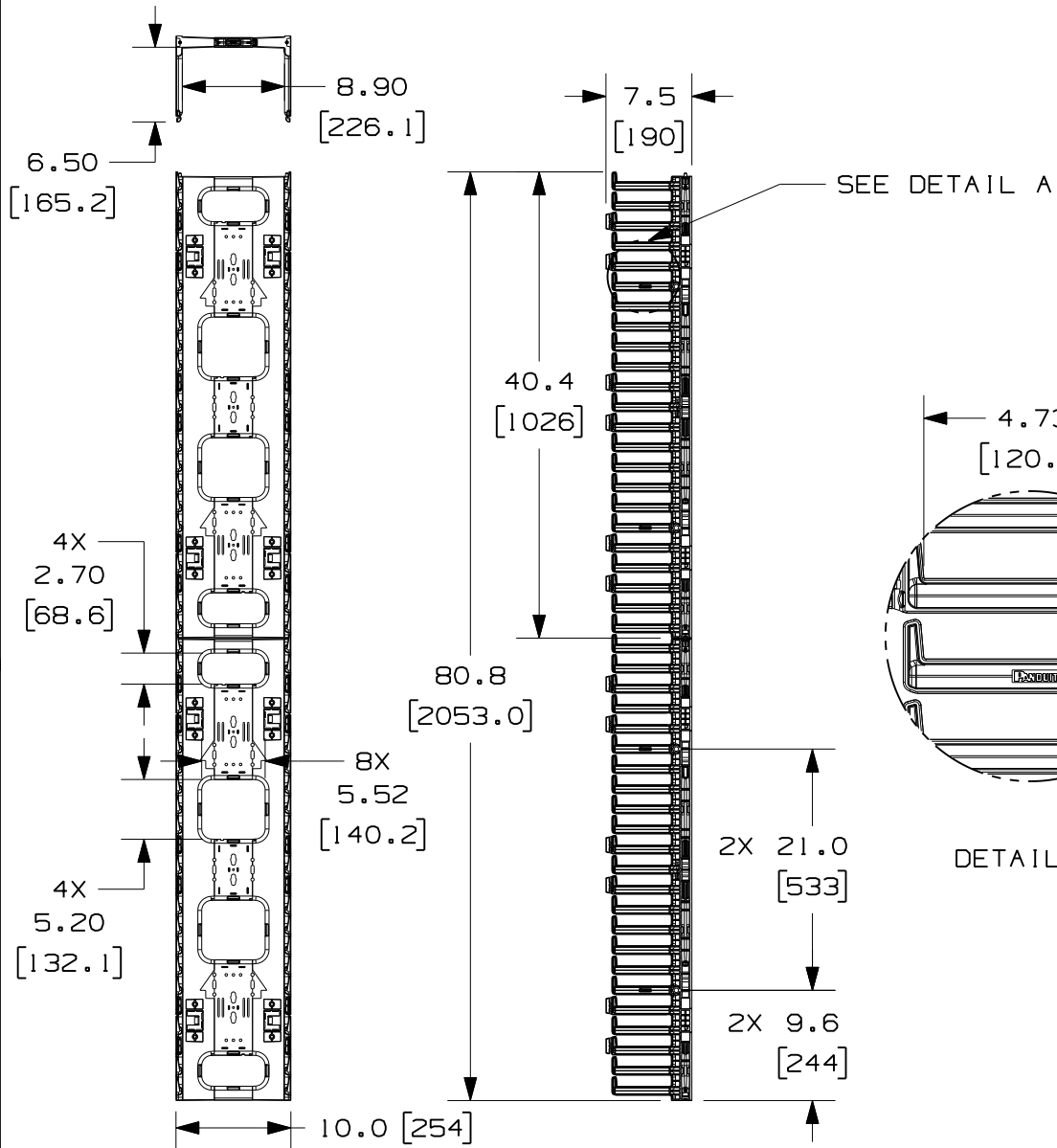


THIS COPY IS PROVIDED ON A RESTRICTED BASIS AND IS NOT TO BE USED IN ANY WAY DETRIMENTAL TO THE INTERESTS OF PANDUIT CORP.

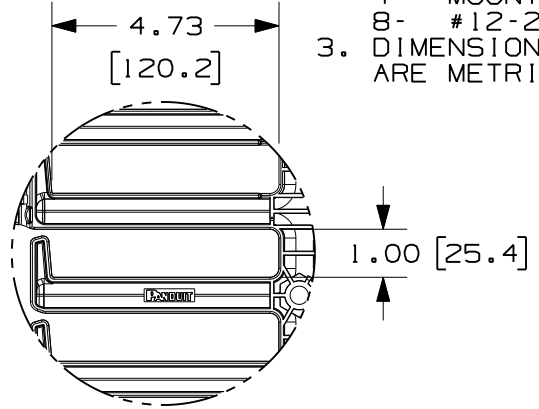
PANDUIT P/N	WEIGHT
NRVF10	13.0 LBS/EACH 5.91 Kg/EACH



SEE DETAIL A

NOTES:

- VISIT OUR ON-LINE CATALOG AT WWW.PANDUIT.COM FOR A CURRENT LIST OF PRODUCTS APPLICABLE FOR USE WITH THIS PART.
- COMPONENTS:
2- 22.5RU CABLE MANAGEMENT SECTIONS
10- CABLE RETAINERS
4- MOUNTING BRACKETS
8- #12-24 X 1/2" SCREWS
- DIMENSIONS IN PARENTHESIS ARE METRIC.



DETAIL A

MODEL FILENAME	V10661AE/00
CAD FILENAME/LAYERS	V10661AE_DC/00A
PANDUIT CORP. TINLEY PARK, ILLINOIS	
NETRUNNER HIGH CAPACITY VERTICAL MANAGER, FRONT ONLY, 10" WIDE (NRVF10) CUSTOMER DRAWING	

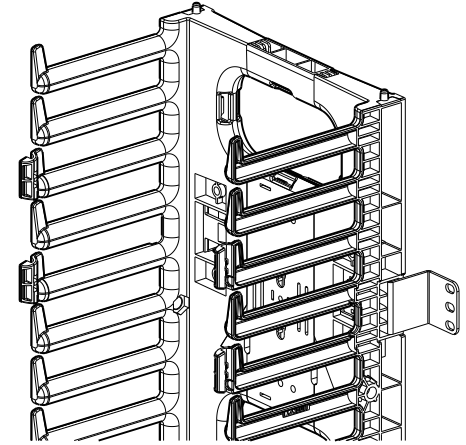
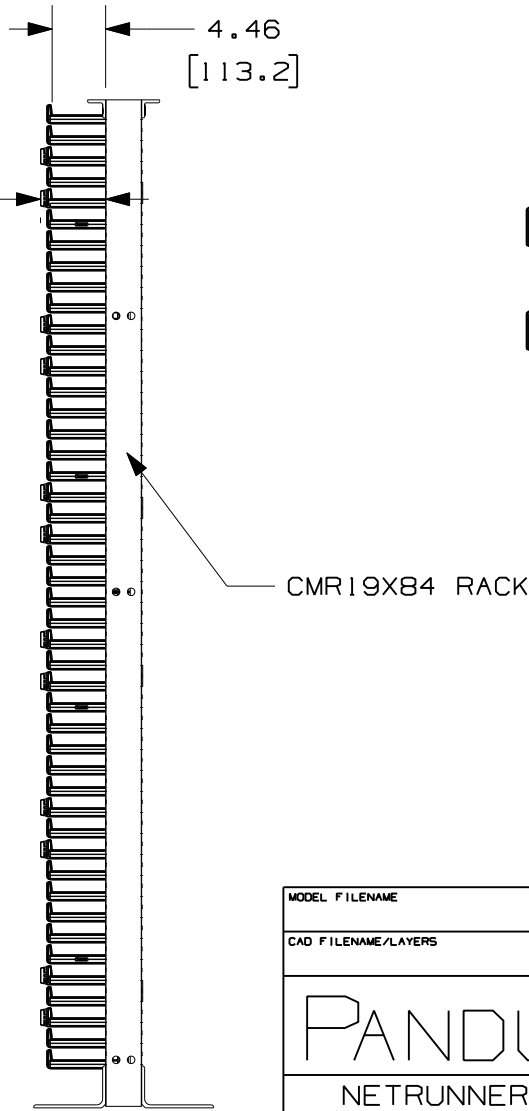
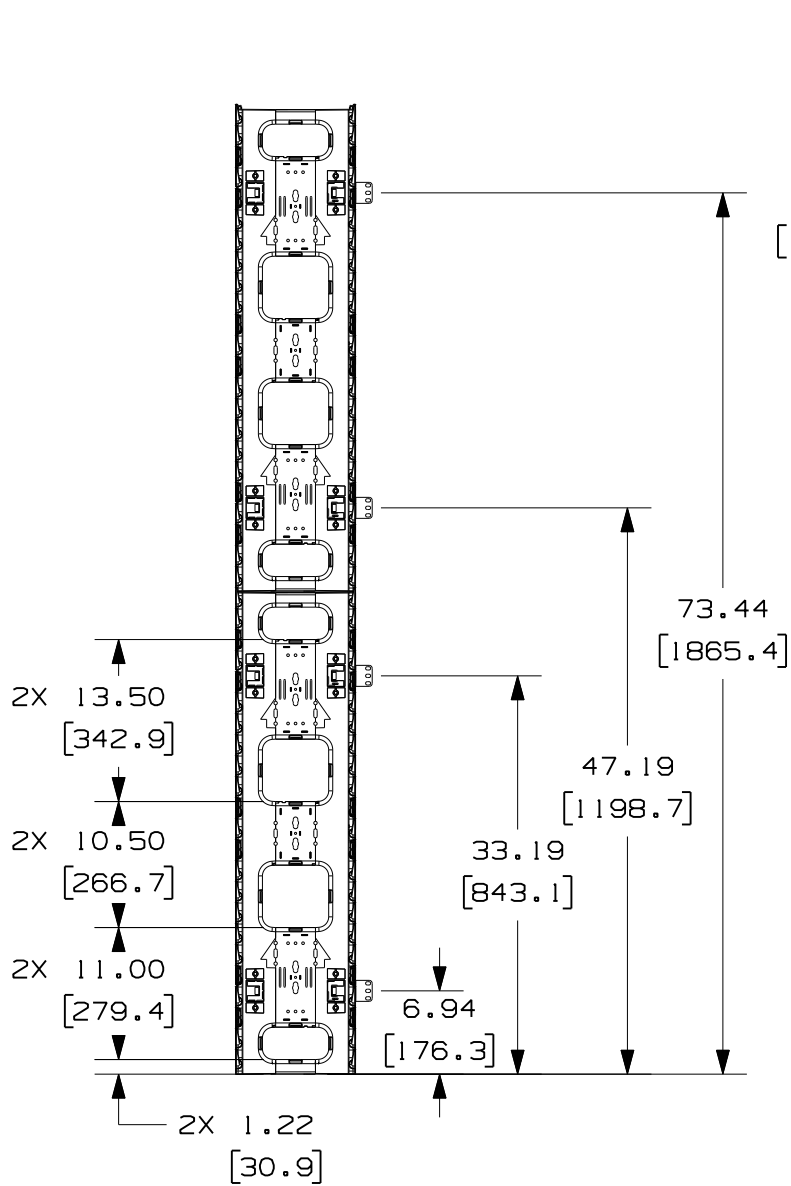
UNLESS OTHERWISE SPECIFIED, DIMENSIONAL TOLERANCES ARE:
 (.X) ± (.XXX) ±
 (.XX) ± ANGLES ±

UNLESS OTHERWISE SPECIFIED, ALL DIMENSIONS ARE GIVEN IN INCHES, THIRD ANGLE PROJECTION.

REV	DATE	BY	CHK	DESCRIPTION	ECN	R	CUST	SUP	OTH
OOA	3-6-09	BAME		RELEASED	V10661AE-DC				

DRAWN BY BAME	MAT'L: CABLE MANAGER- ABS CABLE RETAINER- POLYCARBONATE	SCALE NONE
DATE 3-6-09	CHK'D	DRAWING NO. V10661AE-DC SHEET 1 OF 2
		DWG A SIZE

THIS COPY IS PROVIDED ON A RESTRICTED BASIS AND IS NOT TO BE USED IN ANY WAY DETRIMENTAL TO THE INTERESTS OF PANDUIT CORP.



MODEL FILENAME		V10661AE/00	
CAD FILENAME/LAYERS		V10661AE_DC/00A	
<h1>PANDUIT</h1> CORP. TINLEY PARK, ILLINOIS			
NETRUNNER HIGH CAPACITY VERTICAL MANAGER, FRONT ONLY, 10" WIDE (NRVF10) CUSTOMER DRAWING			
UNLESS OTHERWISE SPECIFIED, DIMENSIONAL TOLERANCES ARE:		UNLESS OTHERWISE SPECIFIED, ALL DIMENSIONS ARE GIVEN IN INCHES, THIRD ANGLE PROJECTION.	
(.X) ±		(.XXX) ±	
(.XX) ±		ANGLES ±	
DRAWN BY	MAT'L:	SCALE	
BAME	CABLE MANAGER - ABS	NONE	
DATE	CABLE RETAINER - POLYCARBONATE	DRAWING NO.	DWG
3-6-09		V10661AE-DC	A
CHK'D		SHEET 2 OF 2	SIZE

OOA	3-6-09	BAME	SEE SHEET 1 OF 2 FOR REVISIONS	V10661AE-DC				
REV	DATE	BY	CHK	DESCRIPTION	ECN	R	CUST	SUP