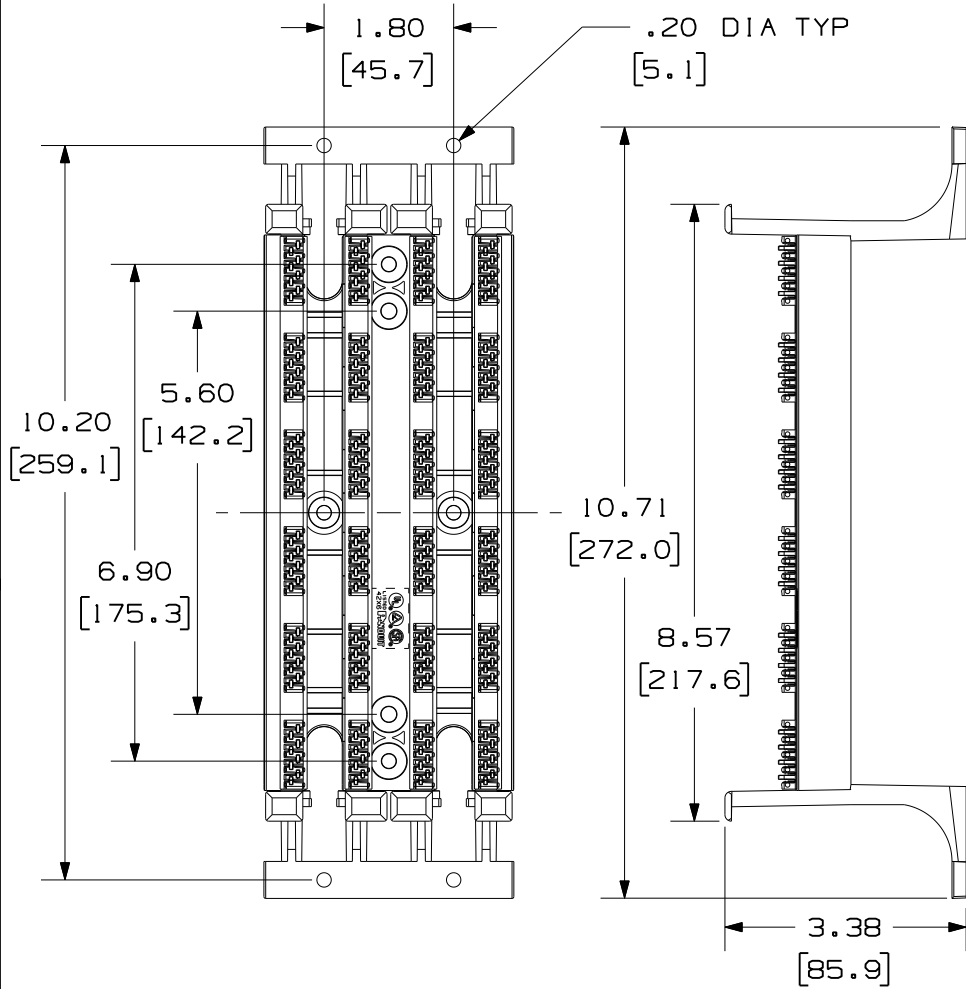


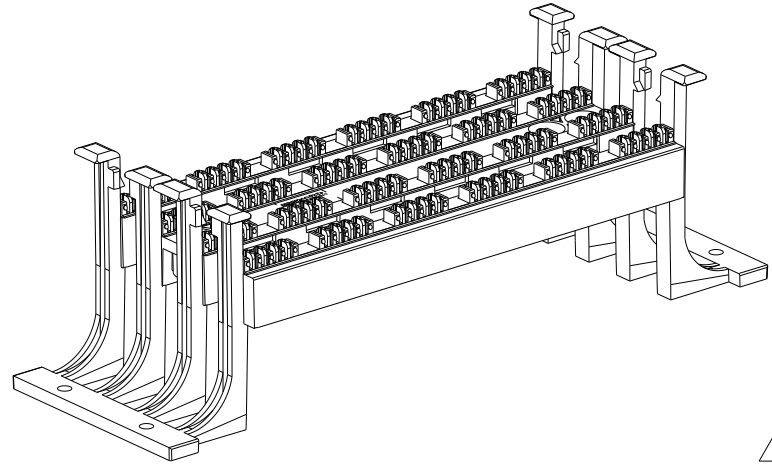
THIS COPY IS PROVIDED ON A RESTRICTED BASIS AND IS NOT TO BE USED IN ANY WAY DETRIMENTAL TO THE INTERESTS OF PANDUIT CORP.



△ C
△ D

E GP6™ PLUS CATEGORY 6 STANDARD DENSITY KIT					
PART NO.	WEIGHT	BASE	CONNECTOR BLOCKS USED	LABEL HOLDERS USED	LABELS USED
GPKBW24Y	.64 LB/EACH (292 g/ EACH)	24 PORT WITH LEGS	24	2	2

- NOTES:
- SEE CURRENT CATALOG FOR ADDITIONAL PART NUMBER SUFFIXES TO INDICATE COLOR AND/OR PACKAGE QUANTITY.
 - SEE CATALOG FOR COMPLETE LIST OF PARTS APPLICABLE FOR USE WITH THIS PART.
 - DIMENSIONS IN PARENTHESES ARE IN METRIC.
 - INSTALLATION REQUIRES SCREWS.
 - MATERIAL:
WIRE STRIP- POLYCARBONATE
BASE- POLYCARBONATE
 - SEE CHART FOR PARTS INCLUDED WITH KIT.



△ A
SIZE
A

DRAWING FILENAME M02479KD_DC265_00B.PRT

△ E GP6™ PLUS CATEGORY 6 STANDARD DENSITY KIT CUSTOMER DRAWING

<p>PANDUIT™ CORP. TINLEY PARK, ILL 60477</p>	I.I. NUMBER
	PRODUCT SPEC/ PKG SPEC
<p>THIRD ANGLE PROJECTION</p>	<p>ALL DIMENSIONS ARE GIVEN IN INCHES, UNLESS OTHERWISE SPECIFIED.</p> <p>DIMENSIONAL TOLERANCES ARE: (.X) ± (.XXX) ±.010(.3) (.XX) ±.03(.8) ANGLES ±</p>
<p>SCALE</p> <p>NONE</p>	<p>ASSY METHOD/ TEST METHOD</p>
<p>DRAWN BY</p> <p>NER</p>	<p>REVIEW DRAWING NUMBERS</p>
<p>DATE</p> <p>3-20-06</p>	<p>PART NO.</p> <p>△ D GPKBW24Y</p>
<p>CHK'D</p> <p>WJC</p>	<p>DRAWING NO.</p> <p>02479-265</p>

REV	DATE	BY	CHK	DESCRIPTION	ECN	R	CUST	SUP	OTH
I	5-15-07	BJN	EJH	E. CHGD KIT DESCRIPTION D. GPKBW24Y WAS GPKBW24-XY B. DELETED SH2 C. COMBINED TABLES A. UPDATED DRAWING FORMAT	02479-265		REGA		
R	3-20-06	NER	WJC	RELEASED TO PRODUCTION.	02479-265		RMD		