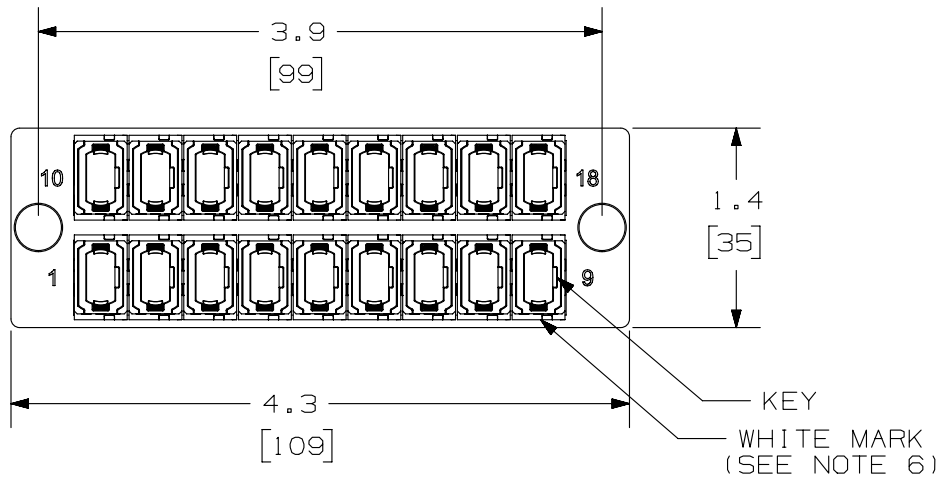
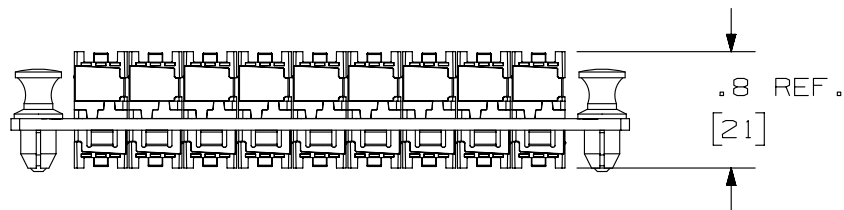


THIS COPY IS PROVIDED ON A RESTRICTED BASIS AND IS NOT TO BE USED IN ANY WAY DETRIMENTAL TO THE INTERESTS OF PANDUIT CORP.

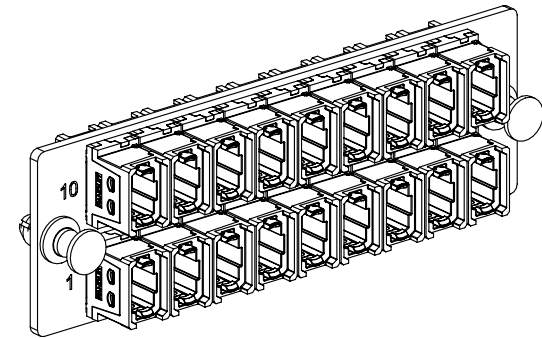


DUST PLUGS NOT SHOWN FOR CLARITY



NOTES:

- SEE CURRENT CATALOG FOR PART NUMBER SUFFIXES TO INDICATE COLOR AND/OR PACKAGE QUANTITIES.
- SEE CATALOG FOR COMPLETE LIST OF PARTS APPLICABLE FOR USE WITH THIS PRODUCT.
- MATERIALS:
  - PLATE: C.R.S. POWDER COATED.
  - ADAPTER: COMPOSITE WITH METAL CLIP.
  - ALL MATERIALS USED MEET THE MATERIAL RESTRICTIONS OF RoHS, (EUROPEAN DIRECTIVE 2011/65/EC ON THE RESTRICTION OF HAZARDOUS SUBSTANCES) AS PROPOSED BY THE RoHS TECHNICAL ADAPTATION COMMITTEE.
- ADAPTERS ARE SUPPLIED WITH TWO DUST PLUGS.
- DIMENSIONS IN BRACKETS ARE METRIC.
- WHITE MARK ON MPO ADAPTER CORRELATES TO FIRST FIBER ON INSTALLED MPO CONNECTOR.



00	10-08-13	BSN	WJM		RELEASED TO PRODUCTION				13F227AQ-DC			
REV	DATE	BY	CHK	APR	DESCRIPTION	ECN	DRAWN BY	DATE	CHK	SCALE	DRAWING NUMBER:	SIZE
							BSN	10-08-13	WJM	NONE	SHT 1 OF 1	A

TITLE											
18 POSITION HORIZONTAL MPO FIBER ADAPTER PANEL											
CUSTOMER DRAWING											
ITEM REVISION NAME										PART NO.	
13F227AQ/00										FAPH1824RDMPO	
DATASET FILE NAME										DRAWING NUMBER:	
13F227AQ_DC/00A										13F227AQ-DC	
UNLESS OTHERWISE SPECIFIED, DIMENSIONAL TOLERANCES ARE: IN (mm)											
.X ±				.XXX ± .010 (0.3)							
.XX ± .03 (0.8)				ANGLES ±							
						THIRD ANGLE PROJECTION					
DRAWN BY		DATE		CHK		SCALE		DRAWING NUMBER:		SIZE	
BSN		10-08-13		WJM		NONE		SHT 1 OF 1		A	