

VERTICAL CHANNELS
HAVE #12-24 TAPPED HOLES

45RU STEEL 4 POST RACK
DEPTH ADJUSTABLE
FROM 23" TO 42"
(23" DEPTH SHOWN)

MOUNT HOLES FOR
VERTICAL CABLE MANAGERS

MASKED AREA FOR
GROUNDING AT ALL
8 CORNERS

NOTES:

1. VISIT OUR ON-LINE CATALOG AT WWW.PANDUIT.COM FOR A LIST OF CURRENT PARTS APPLICABLE FOR USE WITH THIS PRODUCT.
2. DIMENSIONS IN PARENTHESIS ARE METRIC.
3. RACK DEPTH IS ADJUSTABLE FROM 23" TO 42" AT 1/2" INCREMENTS.
4. CAN BE USED WITH ANY EIA STANDARD COMPONENT IN ADDITION TO ALL PANDUIT HORIZONTAL CABLE MANAGEMENT AND PATCH PANEL PRODUCTS.
5. 45 AVAILABLE RACK SPACES.
6. EIA UNIVERSAL STANDARD HOLE PROGRESSION ON FRONT AND REAR CHANNELS.
.625", .625", .500", .625", .625", .500"...ETC.
7. ALL RACKS WILL HAVE NUMBERS UP ORIENTATION (RU "01" ON BOTTOM, RU "45" ON TOP).
8. RU SPACING NUMBERS ARE CLEARLY PRINTED ON MOUNTING RAILS.
9. ALL ASSEMBLY HARDWARE INCLUDED:
(2) 84" TALL WELDED RACK FRAME WITH #12-24 TAPPED MOUNT HOLES
(4) ADJUSTABLE DEPTH MOUNT BRACKETS
(1) HARDWARE KIT
10. EASY ASSEMBLY, ONE WRENCH NEEDED.
11. FULLY BONDED STRUCTURE WHEN ASSEMBLED PER INSTRUCTIONS.
12. LOAD RATING - 2000 lbs.
13. WEIGHT: 80.5 lbs [36.5 kg]

PART NUMBER		AR4P / AR4PWH	
TITLE		STEEL 4 POST RACK, 45RU TAPPED RAILS, ADJUSTABLE DEPTH FROM 23" TO 42"	
ITEM REVISION NAME		CUSTOMER DRAWING	
DATASET FILE NAME		00448EAE/02	
MATERIAL		STEEL	
DRAWN BY		TWW	
DATE		10-21-19	
CHK		RYB	
SCALE		NONE	
DRAWING NUMBER		00448EAE-DC	
SHEET		SHEET 1 OF 3	
SIZE		A	

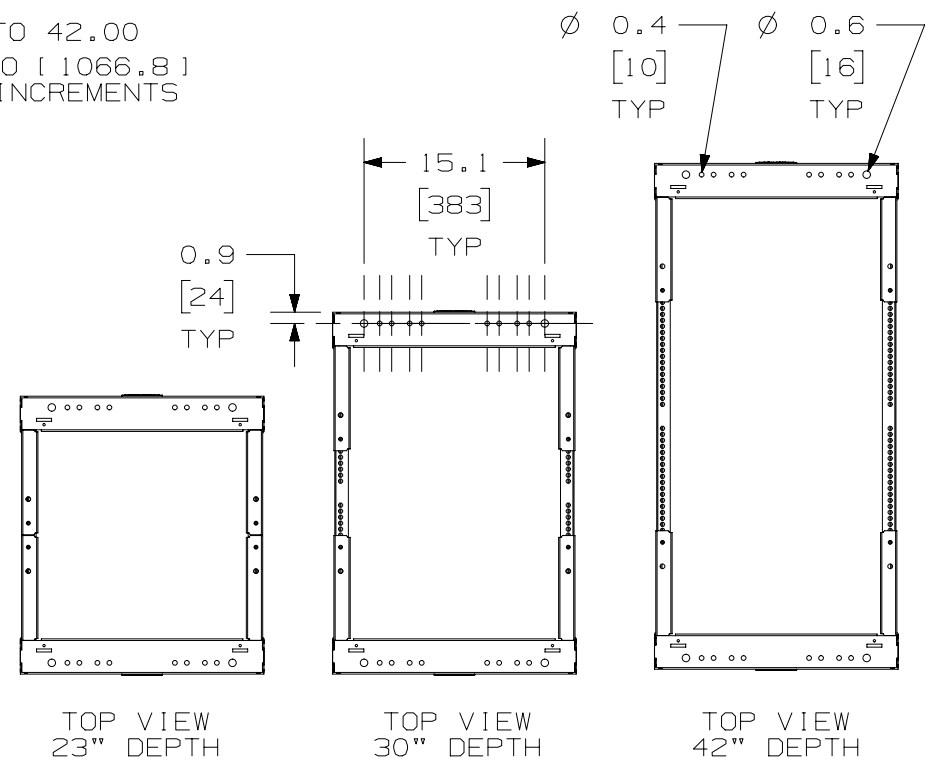
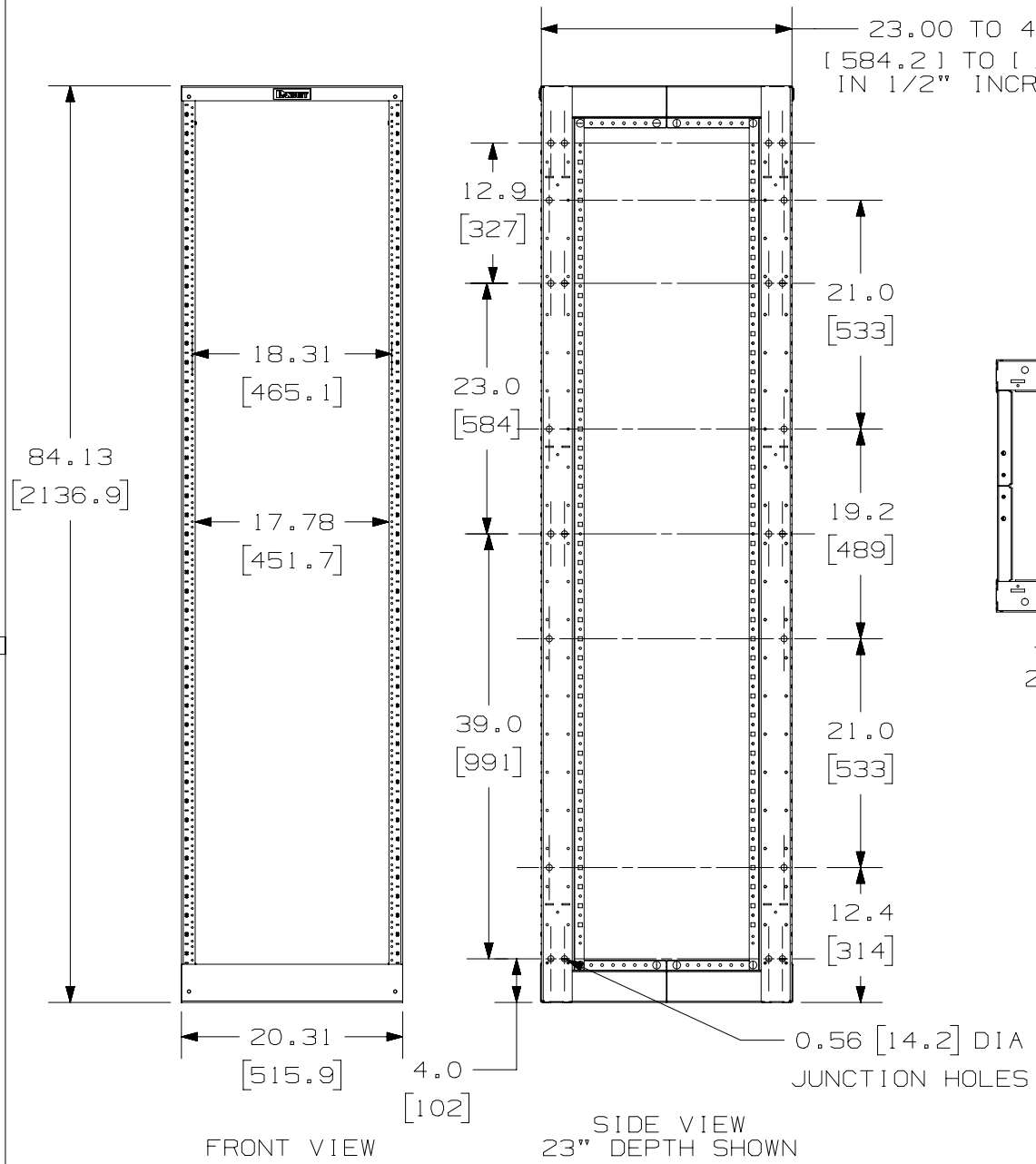
REV	DATE	BY	CHK	APR	DESCRIPTION	ECN
02C	2-16-23	TWV	KRKE	KCOR	UPDATED WEIGHT; ADDED TOP HOLE DIMENSIONS	M09000ME
02B	2-8-22	TWV	KRKE	JEFK	UPDATED GROUNDING MASKED AREA NOTE	M09000LA/07
02A	6-22-21	RYB	KRKE		ADDED RACK EIA DIMENSIONS	M09000LA/06

A-SIZE CUSTOMER

THIS COPY IS PROVIDED ON A RESTRICTED BASIS AND IS NOT TO BE USED IN ANY WAY DETRIMENTAL TO THE INTERESTS OF PANDUIT CORP.

2

1



PART NUMBER		AR4P / AR4PWH	
TITLE			
STEEL 4 POST RACK, 45RU TAPPED RAILS, ADJUSTABLE DEPTH FROM 23" TO 42"			
CUSTOMER DRAWING			
ITEM REVISION NAME		00448EAE/02	
DATASET FILE NAME		00448EAE_DC/02C	
MATERIAL		STEEL	
DRAWING NUMBER		00448EAE - DC	
DRAWN BY		DATE	CHK
TWW		1-22-20	RYB
SCALE		NONE	
SHEET 2 OF 3		SIZE	
A		A	

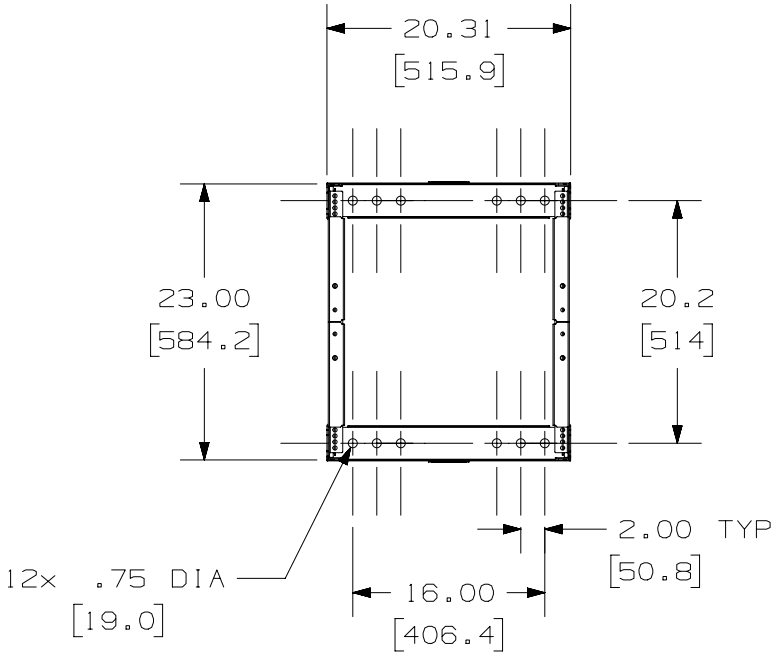
A-SIZE CUSTOMER

REV	DATE	BY	CHK	APR	DESCRIPTION	ECN
02C	2-16-23	TWV	KRKE	KCOR	SEE SHEET ONE FOR REVISIONS	M09000ME
02B	2-8-22	TWV	KRKE	JEFK	SEE SHEET ONE FOR REVISIONS	M09000LA/07

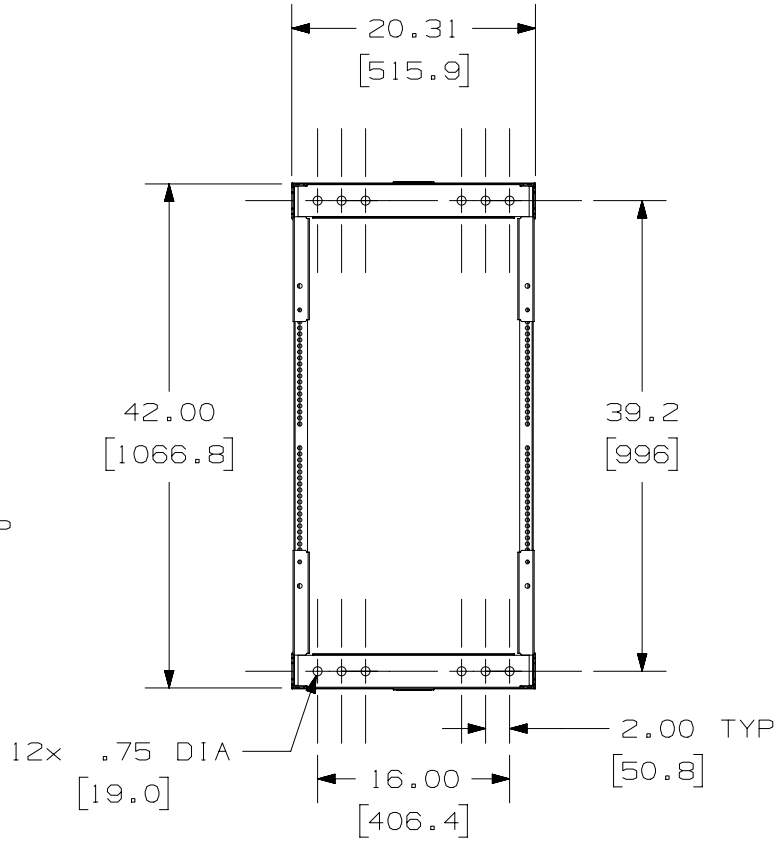
2

1

THIS COPY IS PROVIDED ON A RESTRICTED BASIS AND IS NOT TO BE USED IN ANY WAY DETRIMENTAL TO THE INTERESTS OF PANDUIT CORP.



FLOOR FOOTPRINT AT 23" MINIMUM DEPTH



FLOOR FOOTPRINT AT 42" MAXIMUM DEPTH

PART NUMBER		AR4P / AR4PWH	
TITLE		STEEL 4 POST RACK, 45RU TAPPED RAILS, ADJUSTABLE DEPTH FROM 23" TO 42"	
ITEM REVISION NAME		CUSTOMER DRAWING	
DATASET FILE NAME		00448EAE/02	
MATERIAL		STEEL	
DRAWN BY		TWW	
DATE		1-22-20	
CHK		RYB	
SCALE		NONE	
DRAWING NUMBER		00448EAE-DC	
SHEET 3 OF 3		A	

REV	DATE	BY	CHK	APR	DESCRIPTION	ECN
02C	2-16-23	TWV	KRKE	KCOR	SEE SHEET ONE FOR REVISIONS	M09000ME
02B	2-8-22	TWV	KRKE	JEFK	SEE SHEET ONE FOR REVISIONS	M09000LA/07

2

1

2

1

B

B

A

A

A-SIZE CUSTOMER