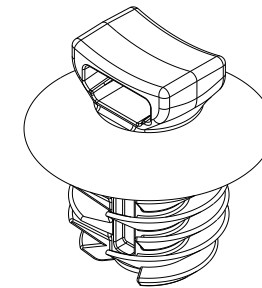
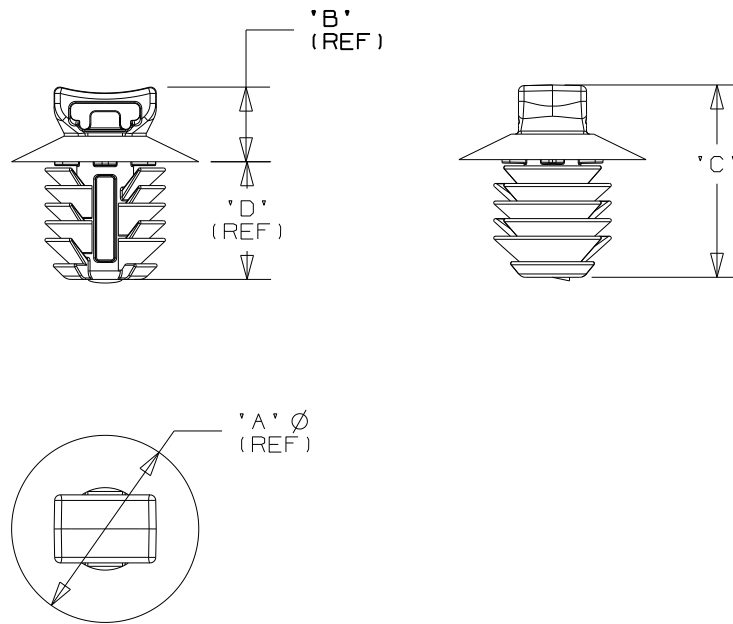


THIS COPY IS PROVIDED ON A RESTRICTED BASIS AND IS NOT TO BE USED IN ANY WAY DETRIMENTAL TO THE INTERESTS OF PANDUIT CORPORATION.

PANDUIT PART NUMBER	USED WITH CABLE TIES	DIMENSIONS				WEIGHT grams/100pcs
		'A' (REF)	'B' (REF)	'C'	'D' (REF)	
PUM-100- <u>  </u>	M, I, S	16.2	6.6	16.9	10.4	70.07

NOTES:

- SEE WWW.PANDUIT.COM FOR PART NUMBER SUFFIX DESIGNATION FOR PACKAGE SIZE, MATERIAL AND COLOR.
- (\* ) DIMENSIONAL VARIANCE IS POSSIBLE DUE TO MOLDING PROCESS RELATED SINK MARKS.
- APPLICATION SPECIFICATION:  
 HOLE DIAMETER: 9.0 - 10.0 mm  
 PANEL THICKNESS: 0.8 - 7.0 mm



SCALE 2:1

CAD FILENAME/LAYERS		10B015CX/00 DC_GB0239MM_REV07	
<b>PANDUIT</b> CORP.		TINLEY PARK, ILLINOIS	
PUM-100 PUSH UMBRELLA MOUNT 100			
UNLESS OTHERWISE SPECIFIED, ALL DIMENSIONS ARE METRIC TOLERANCE: ±0.5MM			
DRAWN BY	TMSA	MAT'L:	SCALE 1:1 UNLESS NOTED
DATE	8-24-06	NYLON 6/6	DRAWING NO.
CHK'D			GB0239MM
			DWG SIZE A

REV	DATE	BY	CHK	DESCRIPTION	ECN	R	CUST	SUP
07	3/09/11	BWG	MPH	CHANGED MATERIAL NOTE. REMOVED MATERIAL BOX FROM CHART.	GB0239MM	07	PBC	