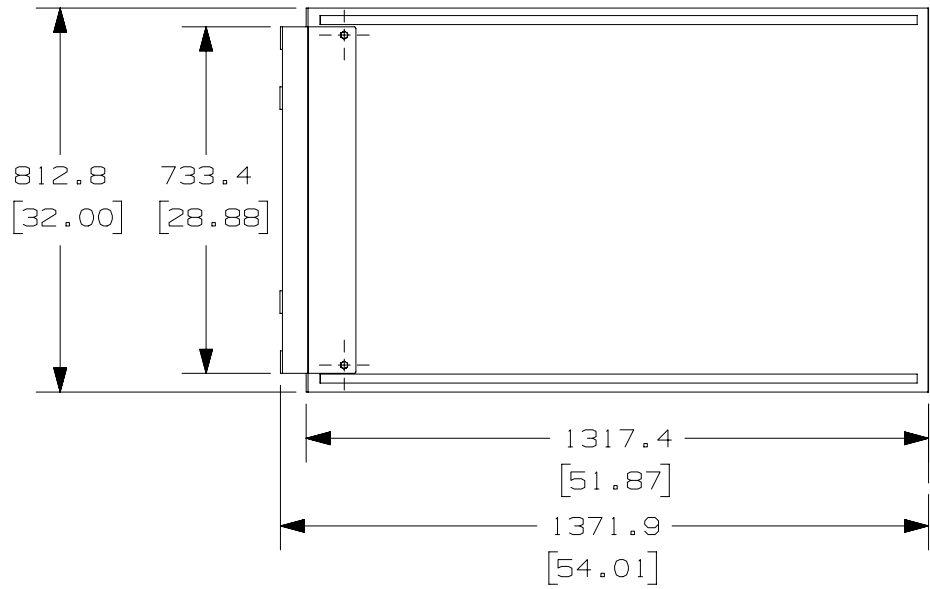
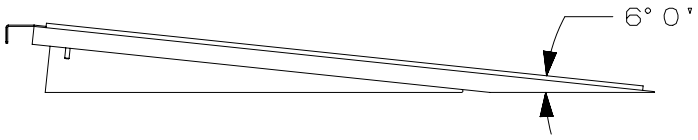
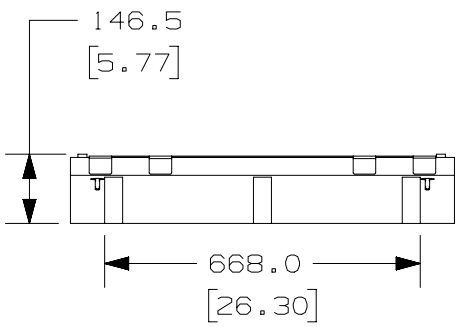


THIS COPY IS PROVIDED ON A RESTRICTED BASIS AND IS NOT TO BE USED IN ANY WAY DETRIMENTAL TO THE INTERESTS OF PANDUIT CORP.

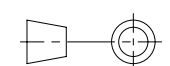


PANDUIT P/N	WEIGHT
SNDSRMP	27.3 Kg/EACH 60.0 LBS/EACH

- NOTES:
- VISIT OUR ON-LINE CATALOG AT WWW.PANDUIT.COM FOR A LIST OF CURRENT PARTS APPLICABLE FOR USE WITH THIS PRODUCT.
 - DIMENSIONS IN PARENTHESES ARE ENGLISH (in).
 - PARTS SUPPLIED:
(1)-DYNAMIC PALLET RAMP ASSEMBLY



REV	DATE	BY	CHK	APR	DESCRIPTION	ECN
00A	5/12/15	LDR			RELEASED TO PRODUCTION	VO9000HZ

TITLE DYNAMIC PALLET RAMP FINISHED GOOD			
CUSTOMER DRAWING			
ITEM REVISION NAME 12V356ZW/00.PRT		PANDUIT TM	
DATASET FILE NAME 12V356ZW_DC/00A.PRT			
UNLESS OTHERWISE SPECIFIED, DIMENSIONAL TOLERANCES ARE:		MATERIAL/COLOR:	
ANGLE +/- 1°		N/A	
 THIRD ANGLE PROJECTION		DRAWING NUMBER: 12V256ZW-DC	
DRAWN BY LDR	DATE 5/12/15	CHK	SCALE NONE
SHT 1 OF 1		SIZE A	

2

1

2

1