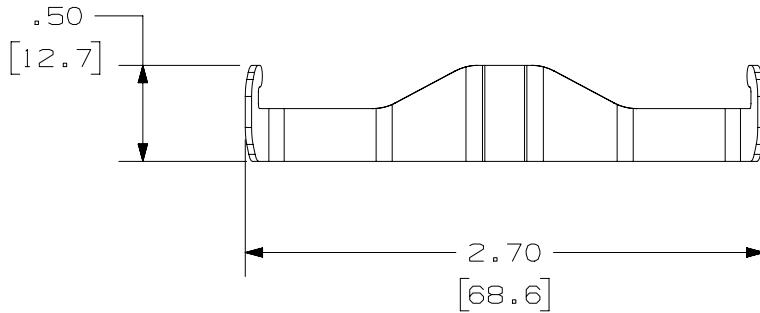
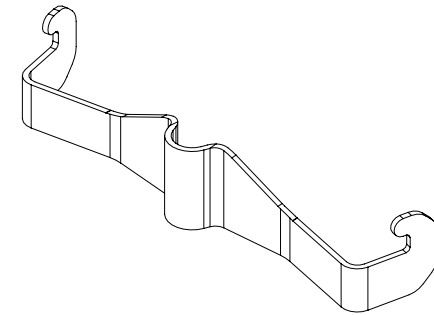
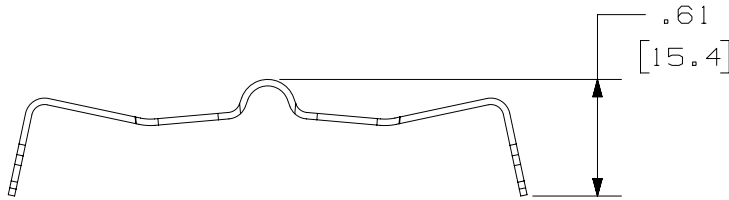


THIS COPY IS PROVIDED ON A RESTRICTED BASIS AND IS NOT TO BE USED IN ANY WAY DETRIMENTAL TO THE INTERESTS OF PANDUIT CORP.

PANDUIT PART NUMBER	WEIGHT
PWBSCEZ	5.0 LB/EACH 2.27 kg/EACH

NOTES:

- VISIT OUR ON-LINE CATALOG AT WWW.PANDUIT.COM FOR A LIST OF CURRENT PARTS APPLICABLE FOR USE WITH THIS PRODUCT.
- DIMENSIONS IN [] ARE METRIC.
- ALL MATERIALS AND COMPONENTS USED MEET THE MATERIAL RESTRICTIONS OF RoHS (EUROPEAN DIRECTIVE 2011/65/EU ON THE RESTRICTION OF HAZARDOUS SUBSTANCES) AS PROPOSED BY THE RoHS TECHNICAL ADAPTATION COMMITTEE.
- PART INCLUDES:
50- STRUT CLIPS



TITLE											
WIRE BASKET STRUT CLIP (PACK OF 50)											
CUSTOMER DRAWING											
ITEM REVISION NAME					00510BAB/06						
DATASET FILE NAME					00510BAB_DC/06C						
					THIRD ANGLE PROJECTION						
					MATERIAL					ZINC PLATED STEEL	
					DRAWING NUMBER						
					00510BAB-DC						
DRAWN BY	DATE	CHK	SCALE								
SAT	03-19-21	PJST	NONE								
REV				DATE				BY		CHK	
06C				12-14-23				SAT		DWR	
06B				04-08-21				SAT		PJST	
06A				03-22-21				SAT		PJST	
EB				D. UPDATED TITLE. E. REMOVED P/N FROM TITLEBLOCK.				00510BAB-DC			
ML				B. ADDED NOTE 4. C. UPDATED WEIGHT. A. TITLE WAS WIRE BASKET RETAINING CLIP.				00510BAB-DC			
ML				INITIAL RELEASE				00510BAB-DC			
APR				DESCRIPTION				ECN			



A-SIZE CUSTOMER