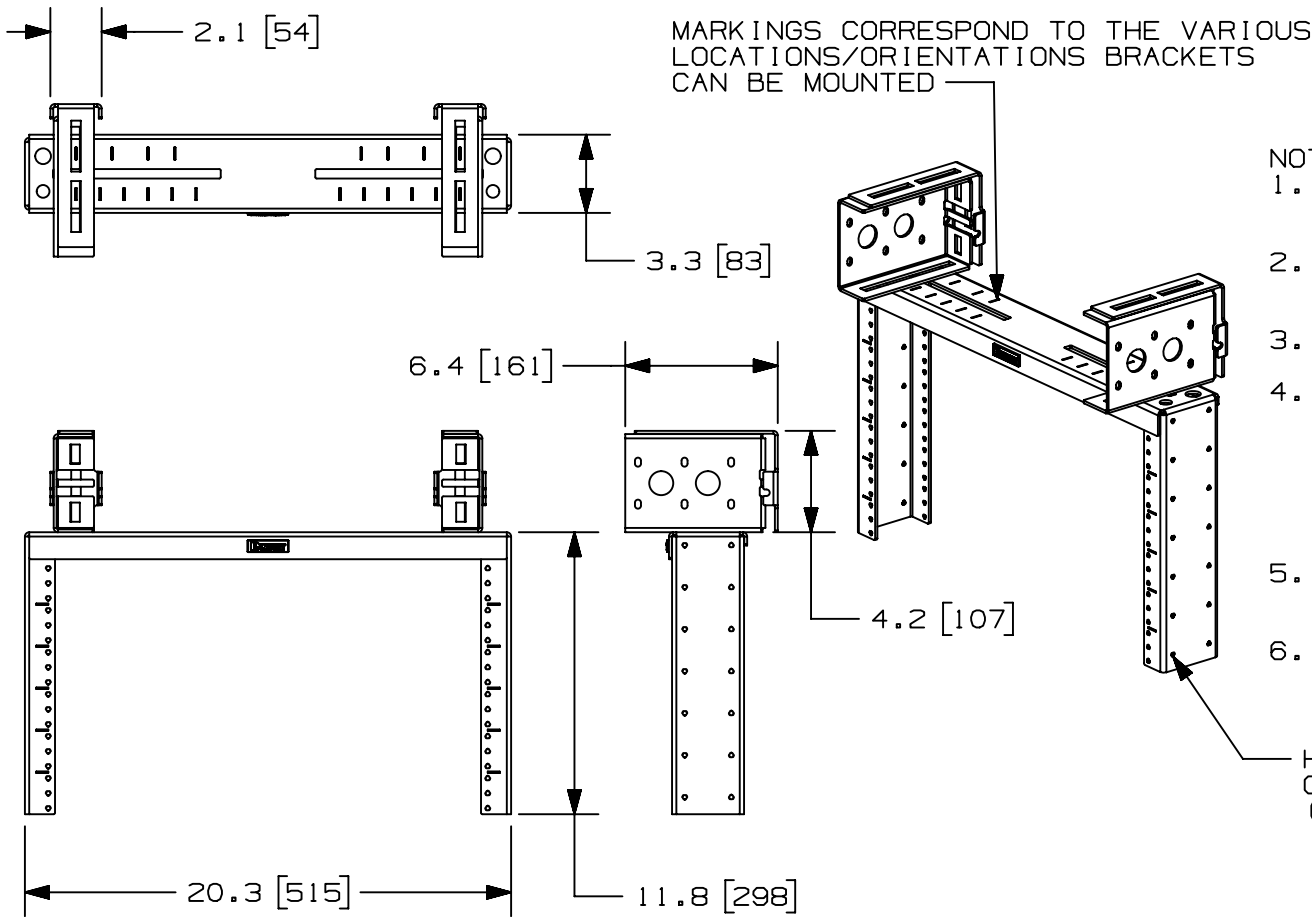


THIS COPY IS PROVIDED ON A RESTRICTED BASIS AND IS NOT TO BE USED IN ANY WAY DETRIMENTAL TO THE INTERESTS OF PANDUIT CORP.

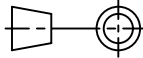



PANDUIT PART NO.	WEIGHT
PZLRB6U	12.86 lbs/EACH 5.84 kgs/EACH

NOTES:

- SEE CURRENT CATALOG FOR ADDITIONAL PART NUMBER SUFFIXES TO INDICATE COLOR AND OR PACKAGE QUANTITY.
- SEE CATALOG FOR COMPLETE LIST OF PARTS APPLICABLE FOR USE WITH THIS PART.
- DIMENSIONS IN PARENTHESES ARE IN METRIC.
- PART INCLUDES:
 - 1- MAIN BRACKET
 - 2- RECTANGULAR BRACKETS
 - 2- L-SHAPED ATTACHMENT BRACKETS
 - 6- 3-8/16 HEX SERRATED FLANGE NUTS
 - 6- 3-8/16 CARRIAGE BOLTS
 - 6- #12-24 SCREWS (4 PACK)
- CABLE MANAGEMENT OPTIONS:
 - BEND RADIUS POSTS (PZBR4)
 - VERTICAL D-RINGS (CMVDR2)
- STATIC LOAD CAPACITY - 80 lbs

HOLES FOR ATTACHING CABLE MANAGEMENT PRODUCTS (SEE NOTE 5)

TITLE		PANZONE OVERHEAD DISTRIBUTION RACK (PZLRB6U)		
CUSTOMER DRAWING				
ITEM REVISION NAME		V10521AQ/01		
DATASET FILE NAME		V10521AQ_DC/01B		
 THIRD ANGLE PROJECTION				
MATERIAL		N/A		
DRAWING NUMBER		V10521AQ-DC		
REV	DATE	BY	CHK	SCALE
01B	11-28-22	JBO	KRKE	1:8
DESCRIPTION		ECN	SHEET 1 OF 1	
UPDATED DRAWING TITLE BLOCK ADDED NOTE 6, STATIC LOAD CAPACITY		M09000RD	A	

A-SIZE CUSTOMER