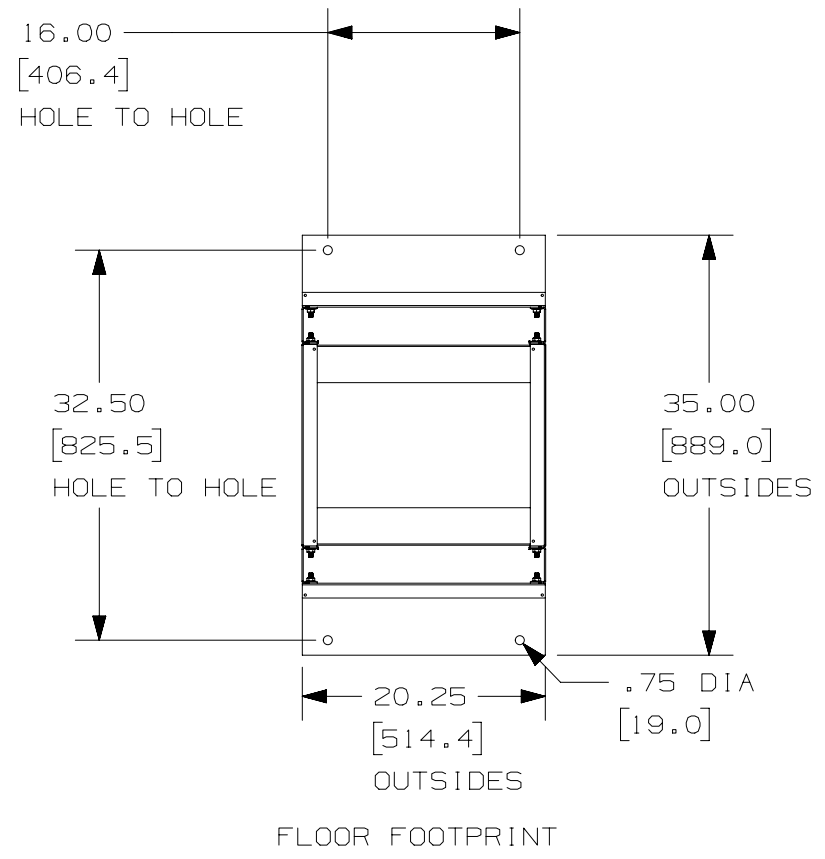


THIS COPY IS PROVIDED ON A RESTRICTED BASIS AND IS NOT TO BE USED IN ANY WAY DETRIMENTAL TO THE INTERESTS OF PANDUIT CORP.

PANDUIT PART NO.	WEIGHT
ER4P2396	40.5 Kg/EACH 89 LB/EACH

NOTES:

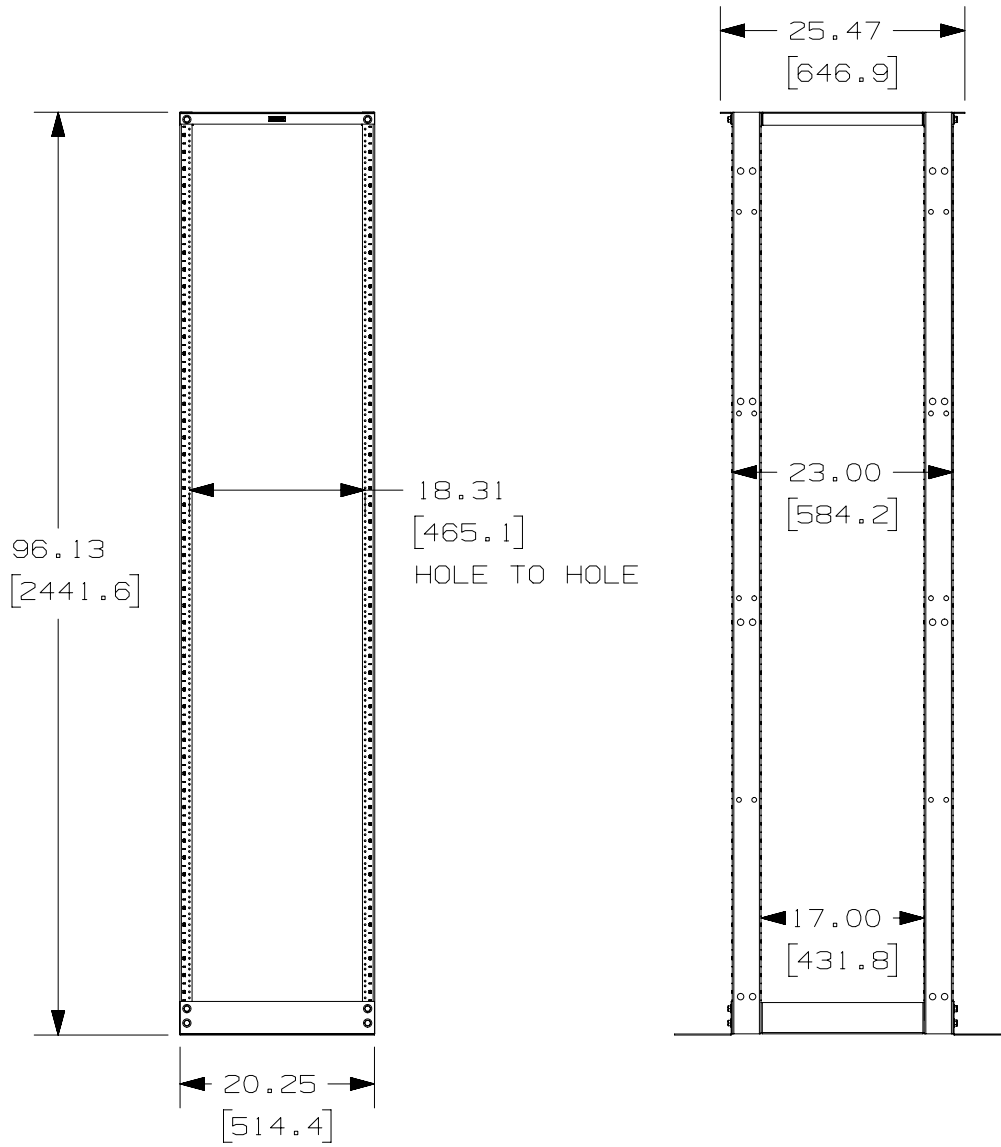
- SEE OUR ON-LINE CATALOG AT WWW.PANDUIT.COM FOR A LIST OF CURRENT PARTS APPLICABLE FOR USE WITH THIS PRODUCT.
- PRIMARY DIMENSIONS ARE IN METRIC.
- CAN BE USED WITH ANY EIA STANDARD COMPONENT IN ADDITION TO ALL PANDUIT HORIZONTAL CABLE MANAGEMENT AND PATCH PANEL PRODUCTS.
- 52 AVAILABLE RACK SPACES.
- EIA UNIVERSAL STANDARD HOLE PROGRESSION ON CHANNELS
.625", .625", .500", .625", .625", .500",
... ETC,
- PART INCLUDES:
2- TOP ANGLES
2- BOTTOM ANGLES
4- 8" CHANNELS
2- BOTTOM CENTER BRACES
2- TOP CENTER BRACES
2- CONNECTOR BRACES)
2- GROUNDING KITS - EACH KIT INCLUDES
- (12) 3/8-16 X 1" BLACK HEX HEAD CAP SCREW
- (24) 3/8" PAINT PIERCING GROUNDING WASHER
- (1) TUBE OF ANTI-OXIDIZING PASTE
- (12) 3/8-16 BLACK HEX NUTS
- LOAD RATING IS 2000 LBS.




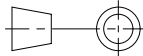
REV	DATE	BY	CHK	APR	DESCRIPTION	ECN
01A	1-7-19	BAME	KRKE	JEFK	ADDED RU NUMBERING	12V346AC-DC
00B	4-10-15	TWV	NAGL	KRKE	ADDED MATERIAL: STEEL	M09000AM
00A	2-6-13	BAME	PM	CMK	DRAWING RELEASED	12V346AC-DC

TITLE TELECOMMUNICATIONS ROOM 4 POST RACK (ER4P2396)					
CUSTOMER DRAWING					
ITEM REVISION NAME 12V346AC/01			PANDUIT		
DATASET FILE NAME 12V346AC_DC/01A					
MATERIAL: STEEL			DRAWING NUMBER: 12V346AC-DC		
THIRD ANGLE PROJECTION					
DRAWN BY BAME	DATE 2-6-13	CHK PM	SCALE NONE	SHT 1 OF 3	SIZE A

THIS COPY IS PROVIDED ON A RESTRICTED BASIS AND IS NOT TO BE USED IN ANY WAY DETRIMENTAL TO THE INTERESTS OF PANDUIT CORP.



PANDUIT PART NO.	WEIGHT
ER4P2396	40.5 Kg/EACH 89 LB/EACH

TITLE		TELECOMMUNICATIONS ROOM 4 POST RACK (ER4P2396)	
		CUSTOMER DRAWING	
ITEM REVISION NAME		12V346AC/01	
DATASET FILE NAME		12V346AC_DC/01A	
			
		MATERIAL:	
		STEEL	
		DRAWING NUMBER:	
		12V346AC-DC	
DRAWN BY		DATE	CHK
BAME		2-6-13	PM
		SCALE	NONE
		 THIRD ANGLE PROJECTION	
REV		DATE	BY
00A		2-6-13	BAME
DESCRIPTION		APR	CHK
DRAWING RELEASED		APR	CMK
ECN		SHT 2 OF 3	
		A	

D10100DA/12

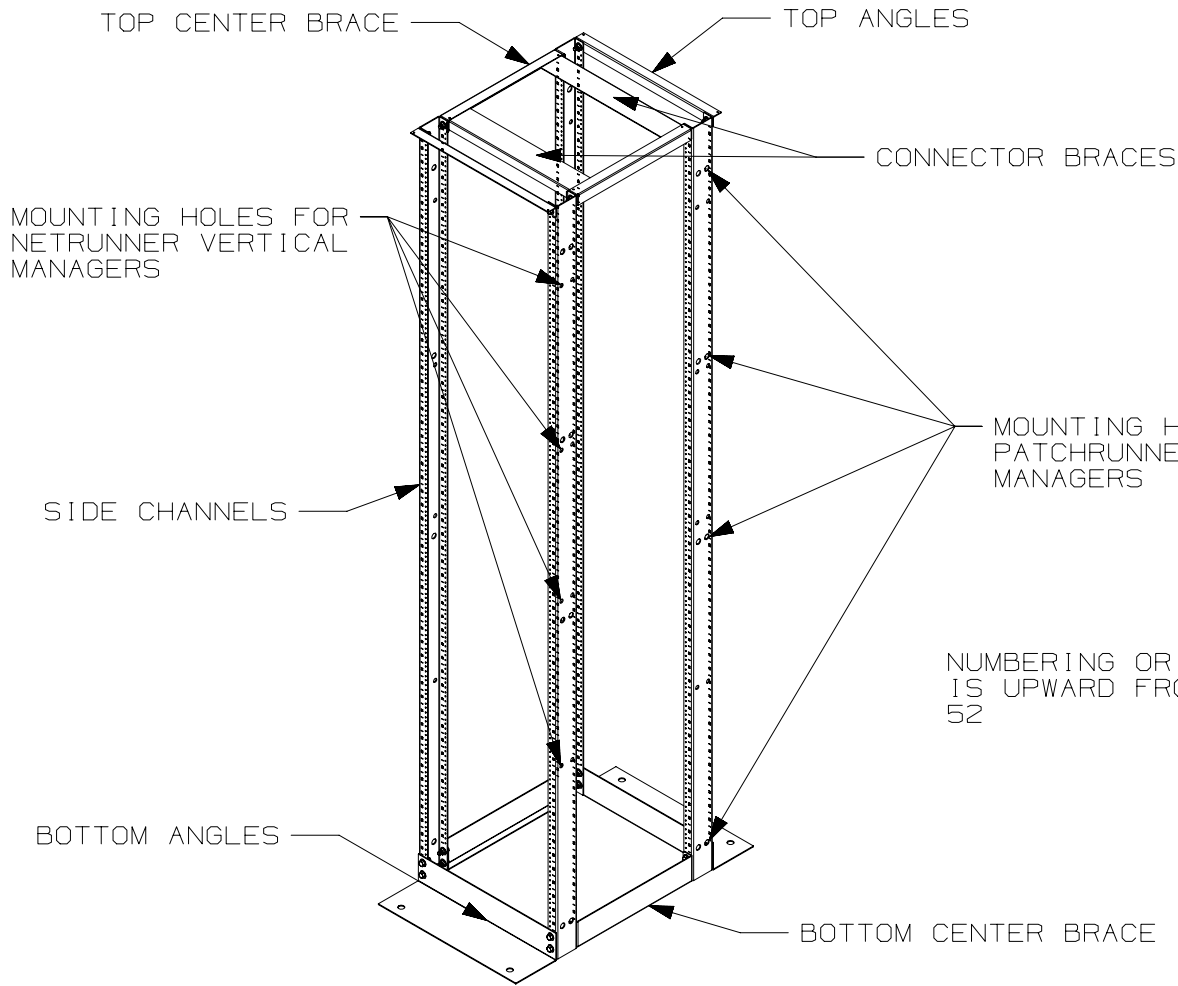
2

1

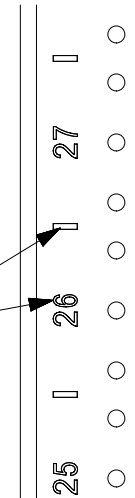
2

1

THIS COPY IS PROVIDED ON A RESTRICTED BASIS AND IS NOT TO BE USED IN ANY WAY DETRIMENTAL TO THE INTERESTS OF PANDUIT CORP.



PANDUIT PART NO.	WEIGHT
ER4P2396	40.5 Kg/EACH 89 LB/EACH



NUMBERING ORIENTATION IS UPWARD FROM 01 THROUGH 52

REV	DATE	BY	CHK	APR	DESCRIPTION	ECN
01A	1-7-19	BAME	KRKE	JEFK	SEE SHEET ONE FOR REVISIONS	12V346AC-DC
00B	4-10-15	TWV	NAGL	KRKE	SEE SHEET ONE FOR REVISIONS	M09000AM
00A	2-6-13	BAME	PM	CMK	DRAWING RELEASED	12V346AC-DC

TITLE				TELECOMMUNICATIONS ROOM 4 POST RACK (ER4P2396)			
				CUSTOMER DRAWING			
ITEM REVISION NAME		12V346AC/01		PANDUIT			
DATASET FILE NAME		12V346AC_DC/01A					
MATERIAL:				STEEL			
DRAWING NUMBER:				12V346AC-DC			
DRAWN BY	DATE	CHK	SCALE	THIRD ANGLE PROJECTION			
BAME	2-6-13	PM	NONE	SHT 3 OF 3			
				SIZE A			