

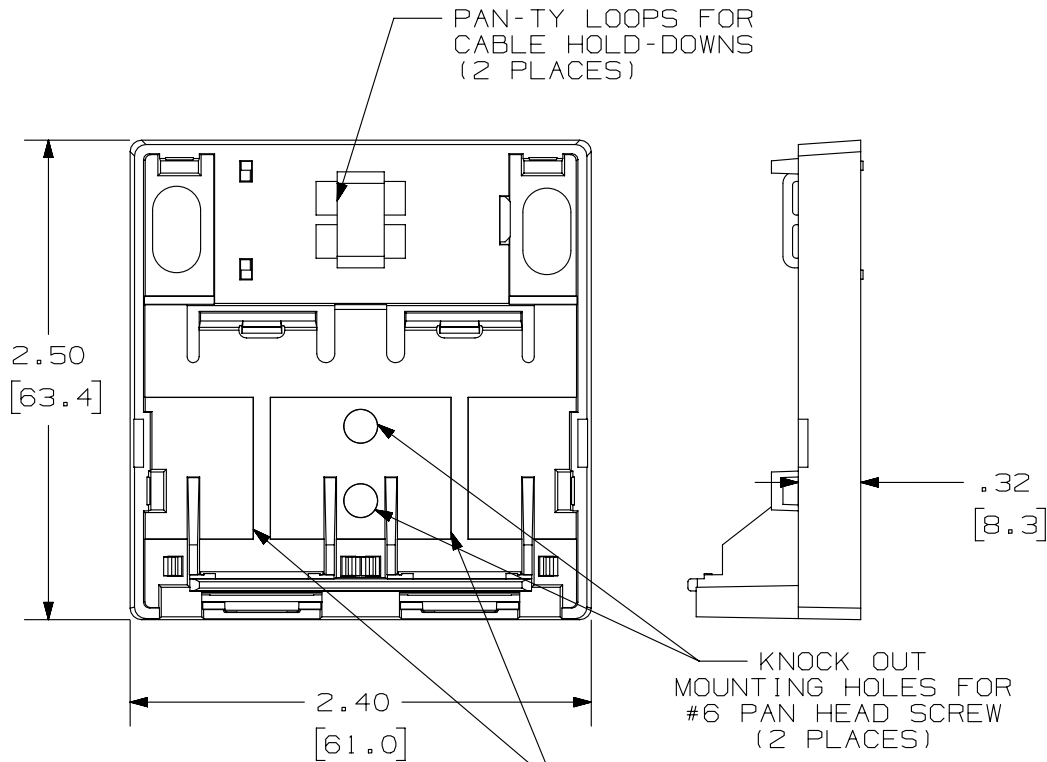
THIS COPY IS PROVIDED ON A RESTRICTED BASIS AND IS NOT TO BE USED IN ANY WAY DETRIMENTAL TO THE INTERESTS OF PANDUIT CORP.

PANDUIT P/N	WEIGHT
JOS2TP00	.75 LB/10 PCS
JOS2TP00BL	(340.2 g/10 PCS)



NOTES:

- SEE CURRENT CATALOG FOR ADDITIONAL PART NUMBER SUFFIXES TO INDICATE COLOR AND OR PACKAGE QUANTITY.
- SEE CATALOG FOR A COMPLETE LIST OF PARTS APPLICABLE FOR USE WITH THIS PART.
- DIMENSIONS IN PARENTHESES ARE IN METRIC.
- INCLUDED WITH BOX KIT:
 - (1) -BOX COVER
 - (1) -BOX BASE
 - (2) -PLT1M-M PAN-TY
 - (1) -MAGNET (ATTACHED) (CSBM-X)
 - (2) -MINI-COM TX6 PLUS JACK MODULE



THIS AREA TO ACCOMMODATE A MINI-COM MODULE

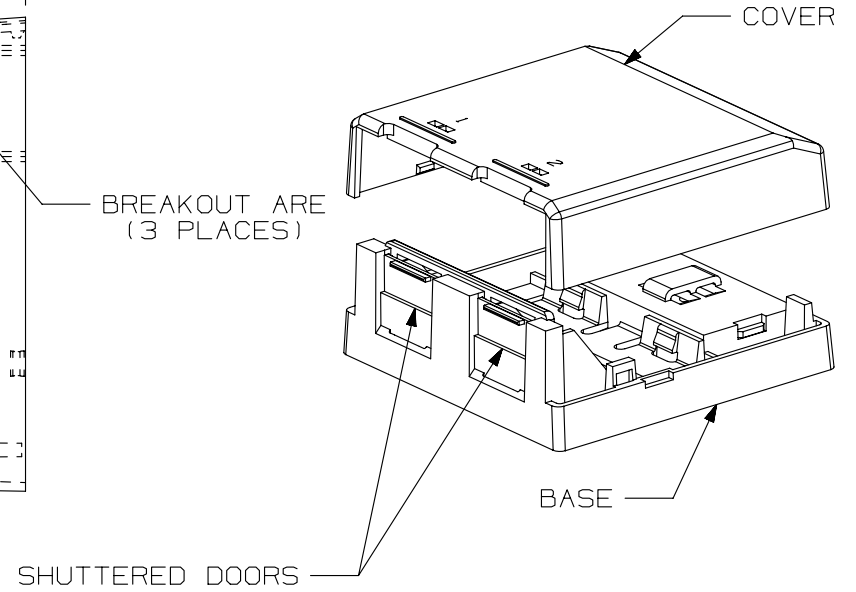
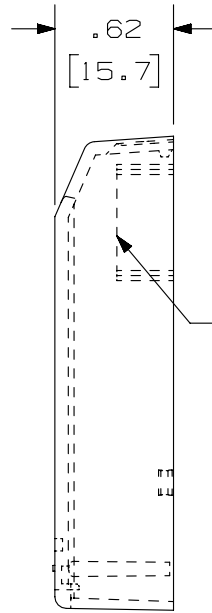
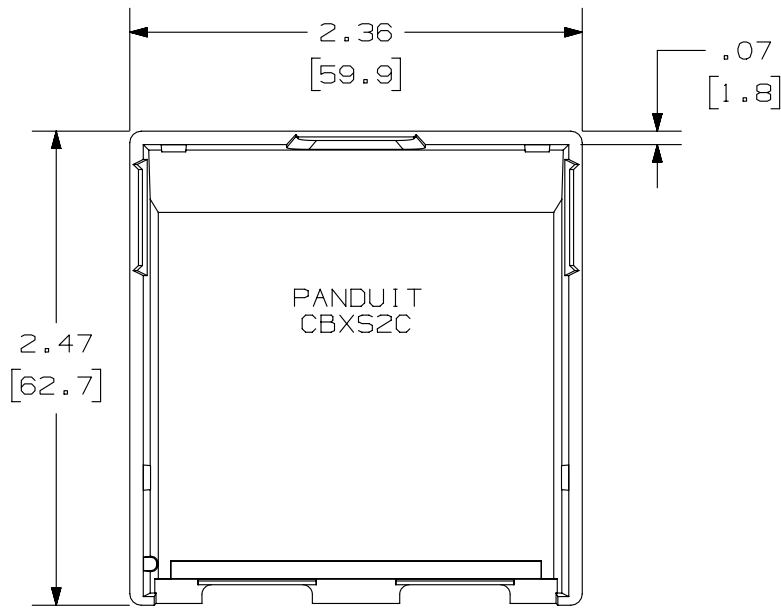


PART NUMBER		JOS2TP00, JOS2TP00BL	
TITLE		MINI-COM 2 POSITION SHUTTERED SURFACE MOUNT BOX KIT	
		CUSTOMER DRAWING	
ITEM REVISION NAME		M00741BV/05	
DATASET FILE NAME		M00741BV_DC14/05B	
UNLESS OTHERWISE SPECIFIED, DIMENSIONAL TOLERANCES ARE: IN [mm]		MATERIAL:	
.x ± .03 [.8]		BOX: ABS	
.xxx ± .010 [.3]		DOORS: PC	
ANGLES ±		DRAWING NUMBER:	
THIRD ANGLE PROJECTION		00741-14	
DRAWN BY	DATE	CHK	SCALE
JSP	2-06-03	PBD	NONE
SHT 1 OF 2		SIZE	
A		A	

REV	DATE	BY	CHK	APR	DESCRIPTION	ECN
3	3-28-14	MDJR	REFR	MMR	C. TITLE CORRECTION MADE.	00741-14
2	3-19-14	MDJR	REFR	MMR	B. UPDATED TITLE BLOCK.	00741-14
1	3-24-09	JSP	TCK	TCK	A. ADDED JOS2TP00BL.	00741-14
R	2-06-03	JSP	PBD	PBD	RELEASED TO PRODUCTION	00741-14

D10100DA/14

THIS COPY IS PROVIDED ON A RESTRICTED BASIS AND IS NOT TO BE USED IN ANY WAY DETRIMENTAL TO THE INTERESTS OF PANDUIT CORP.



PART NUMBER		JOS2TP00, JOS2TP00BL	
TITLE		MINI-COM 2 POSITION SHUTTERED SURFACE MOUNT BOX KIT	
		CUSTOMER DRAWING	
ITEM REVISION NAME		M00741BV/05	
DATASET FILE NAME		M00741BV_DC14/05B	
UNLESS OTHERWISE SPECIFIED, DIMENSIONAL TOLERANCES ARE: IN (mm)		MATERIAL:	
.x ± .xxx ± .010 [.3]		BOX: ABS	
.xx ± .03 [.8] ANGLES ±		DOORS: PC	
THIRD ANGLE PROJECTION		DRAWING NUMBER:	
DRAWN BY		00741-14	
DATE		SHT 2 OF 2	
CHK		SIZE	
SCALE		A	
NONE			

REV	DATE	BY	CHK	APR	DESCRIPTION	ECN
3	3-28-14	MDJR	REFR	MMR	SEE SHEET 1 OF 2.	00741-14
2	3-19-14	MDJR	REFR	MMR	SEE SHEET 1 OF 2.	00741-14
1	3-24-09	JSP	TCK	TCK	SEE SHEET 1 OF 2.	00741-14
R	2-06-03	JSP	PBD	PBD	SEE SHEET 1 OF 2.	00741-14

D10100DA/14