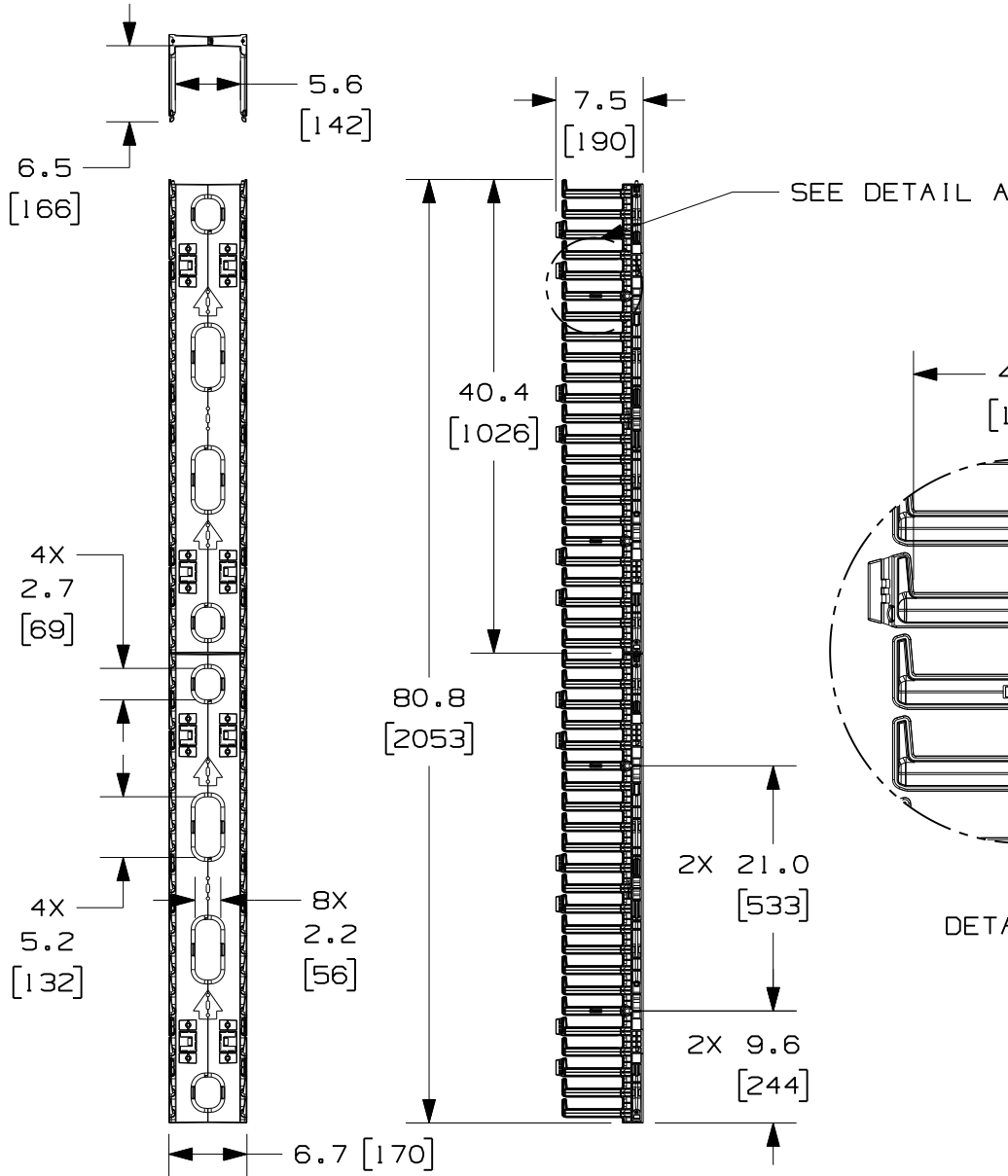
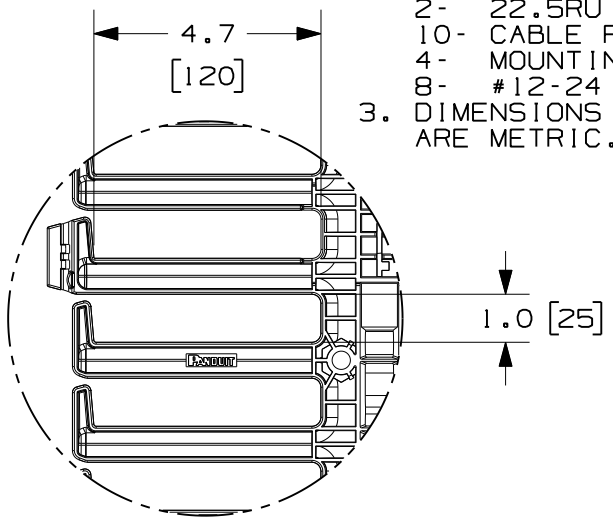


THIS COPY IS PROVIDED ON A RESTRICTED BASIS AND IS NOT TO BE USED IN ANY WAY DETRIMENTAL TO THE INTERESTS OF PANDUIT CORP.



| PANDUIT P/N | WEIGHT |
|-------------|-------------------------------|
| NRVF6 | 11.3 LBS/EACH 5.14 Kg/EACH |

- NOTES:
- VISIT OUR ON-LINE CATALOG AT WWW.PANDUIT.COM FOR A CURRENT LIST OF PRODUCTS APPLICABLE FOR USE WITH THIS PART.
 - COMPONENTS:
2- 22.5RU CABLE MANAGEMENT SECTIONS
10- CABLE RETAINERS
4- MOUNTING BRACKETS
8- #12-24 X 1/2" SCREWS
 - DIMENSIONS IN PARENTHESIS ARE METRIC.



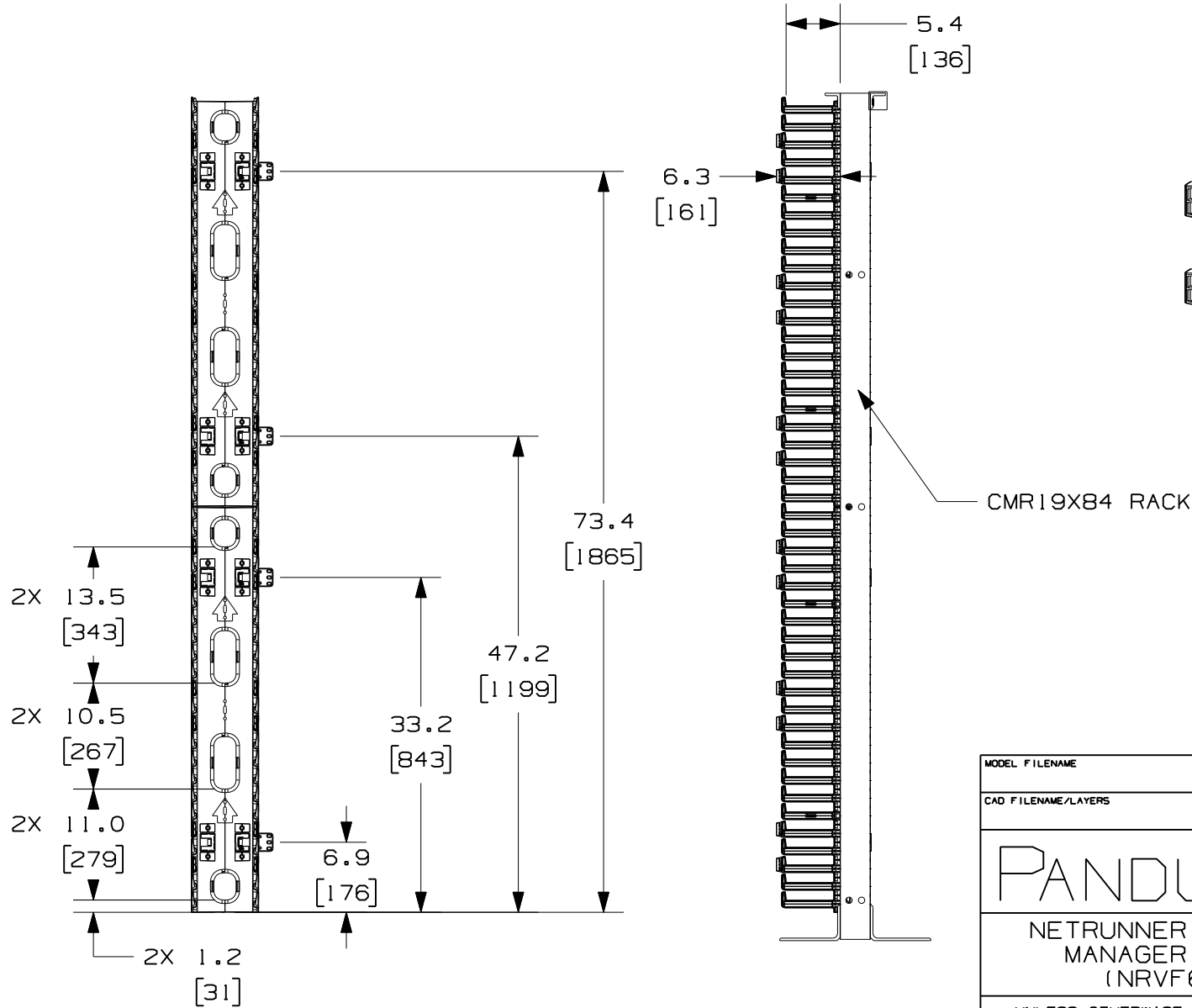
| | |
|--|-----------------|
| MODEL FILENAME | V10661AC/01 |
| CAD FILENAME/LAYERS | V10661AC_DC/01A |
| PANDUIT CORP. TINLEY PARK, ILLINOIS | |
| NETRUNNER HIGH CAPACITY VERTICAL MANAGER, FRONT ONLY, 6" WIDE (NRVF6) CUSTOMER DRAWING | |

UNLESS OTHERWISE SPECIFIED, DIMENSIONAL TOLERANCES ARE:
 (.X) ± (.XXX) ±
 (.XX) ± ANGLES ±

UNLESS OTHERWISE SPECIFIED, ALL DIMENSIONS ARE GIVEN IN INCHES, THIRD ANGLE PROJECTION.

| REV | DATE | BY | CHK | DESCRIPTION | ECN | R | CUST | SUP | OTH | DRAWN BY | MAT'L: | SCALE | DRAWING NO. | DWG SIZE |
|-----|----------|------|------|--------------------|-----|---|------|-----|-----|----------------|---|-------|-----------------------------|-----------|
| O1A | 12-14-10 | BAME | NAGL | PROJECTION UPDATED | | | | | | BAME | | NONE | | |
| O0A | 3-6-09 | BAME | NAGL | RELEASED | | | | | | DATE 3-6-09 | CABLE MANAGER - ABS CABLE RETAINER - POLYCARBONATE | | V10661AC-DC SHEET 1 OF 2 | A SIZE |
| | | | | | | | | | | CHK'D NAGL | | | | |

THIS COPY IS PROVIDED ON A RESTRICTED BASIS AND IS NOT TO BE USED IN ANY WAY DETRIMENTAL TO THE INTERESTS OF PANDUIT CORP.



| | |
|---|---|
| MODEL FILENAME | V10661AC/01 |
| CAD FILENAME/LAYERS | V10661AC_DC/01A |
| <h1>PANDUIT</h1> CORP. TINLEY PARK, ILLINOIS | |
| NETRUNNER HIGH CAPACITY VERTICAL MANAGER, FRONT ONLY, 6" WIDE (NRVF6) CUSTOMER DRAWING | |
| UNLESS OTHERWISE SPECIFIED, DIMENSIONAL TOLERANCES ARE: (.X) ± (.XX) ± | UNLESS OTHERWISE SPECIFIED, ALL DIMENSIONS ARE GIVEN IN INCHES, THIRD ANGLE PROJECTION. |

| REV | DATE | BY | CHK | DESCRIPTION | ECN | R | CUST | SUP | OTH | DRAWN BY | MAT'L: | SCALE | DRAWING NO. | DWG SIZE |
|-----|----------|------|------|--------------------------------|-------------|---|------|-----|-----|----------------|---|-------|--------------|----------|
| O1A | 12-14-10 | BAME | NAGL | SEE SHEET 1 OF 2 FOR REVISIONS | V10661AC-DC | | | | | BAME | CABLE MANAGER - ABS CABLE RETAINER - POLYCARBONATE | NONE | V10661AC-DC | A |
| O0A | 3-6-09 | BAME | NAGL | SEE SHEET 1 OF 2 FOR REVISIONS | V10661AC-DC | | | | | DATE 3-6-09 | | | SHEET 2 OF 2 | |
| | | | | | | | | | | CHK'D NAGL | | | | |