

# MP500 PXE™ Series Mobile Printer

Advanced Wireless Performance for Big Jobs

The MP500 delivers advanced wireless performance and full compatibility with Easy-Mark™ Labeling Software, making it the preferred solution for portable, high-volume labeling on-site or in the field. It supports labels up to 2.0 in. wide, ensuring maximum visibility and compliance.

**PANDUIT**™ | **EPSON**  
PORTABLE LABELING SOLUTION PARTNERS

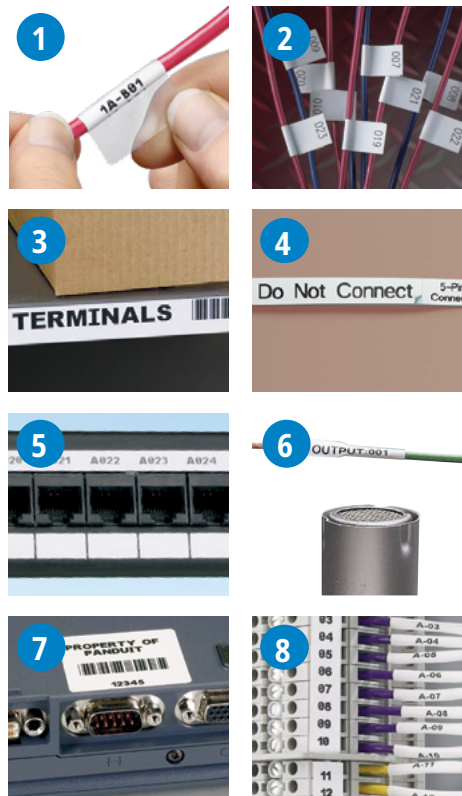


## KEY FEATURES & BENEFITS

<b>Shared PXE cassette platform:</b>	Compatible with all existing continuous materials and new die-cut materials
<b>High quality printing:</b>	300 dpi print resolution
<b>Automatic cutter:</b>	Full and half cut capabilities with replaceable cutters
<b>Fast print speeds:</b>	2.0 in./sec. print speed
<b>Multiple labeling options:</b>	Prints die-cut labels and continuous labels up to 2.0 in. wide
<b>Easy-to-use software:</b>	Print on demand using Easy-Mark™ Labeling Software (both Mobile App and PC Software)
<b>Strong company partnership:</b>	Combines Panduit labeling and software expertise with world-class Epson print technology

## HIGHLIGHTS

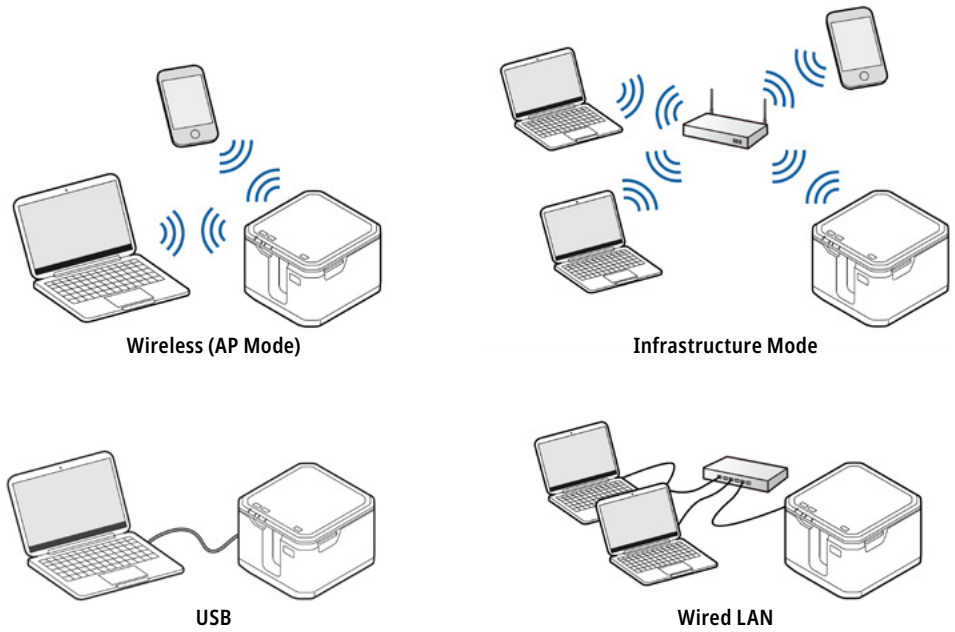
- 1 Self-Laminating Labels
- 2 Flag Labels
- 3 Continuous Tapes
- 4 Mixed Length Labels
- 5 Patch Panel/Face Plate Labels
- 6 Printable Heat Shrink
- 7 Component Labels
- 8 Continuous Terminal Block Labels



# MP500 PXE™ Series Mobile Printer

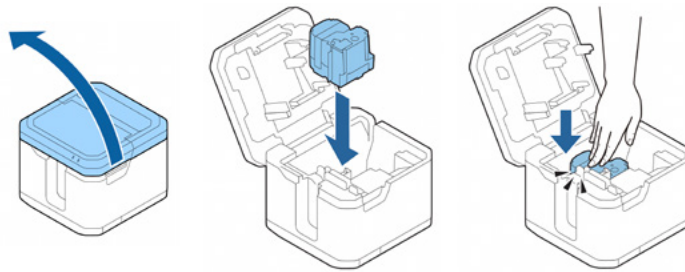
## Printing Labels Your Way:

Whether with the mobile app or PC, choose the option that best suits your application.



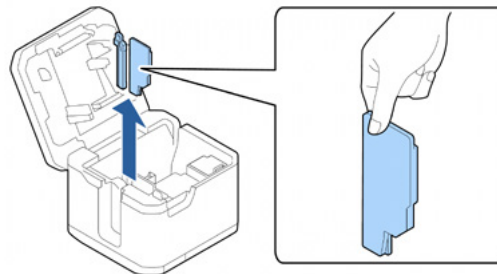
## Quick Cassette Change:

Fast-loading label includes both label material and ribbon to make changing labels easy.



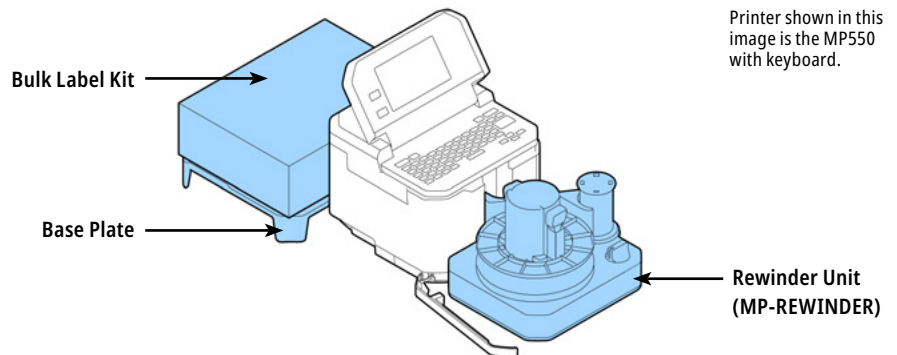
## Easy-to-Replace Cutters:

No tools required. User-replaceable auto cutter unit and half cutter unit. If the cutter becomes dull, replace the cutter unit.



## Bulk Printing Capabilities:

By using a bulk label kit, you can print a large number of labels at a time. If you use the rewriter unit that is available as an option, you can carry the large number of labels easily because the unit can rewind the printed labels neatly.



# MP500 PXE™ Series Mobile Printer

## EASY-MARK™ LABELING SOFTWARE

- Common templates to easily create and print all electrical and network applications
- 11 languages included
- Available for USB flash drive, CD, web download or network server-based version
- Works with Panduit portable and desktop thermal transfer printers, Panduit embossing systems and other laser jet and ink jet printers



**PANDUIT™**

**EPSON**

PORTABLE LABELING SOLUTION PARTNERS

## Epson™ Print Technology

Epson is a global technology leader dedicated to connecting people, things and information with efficient, compact and precision technologies.

## Panduit™ Labeling and Software Expertise

Panduit creates leading-edge labeling solutions for electrical and network environments, from the data center to the telecom room, the jobsite to the plant floor.

## ORDERING INFORMATION

Part Number	Description
<b>MP500</b>	Includes MP500 printer, one (1) cassette of S100X150VAM2 self-laminating labels, AC power adapter, USB cable, roll stand and quick reference card. For use in North America.
<b>MP-REWINDER*</b>	PXE Printer Accessory, attachable rewriter for winding bulk label jobs. For use with MP500 & MP550 printers. Comes 1 per package.
<b>MP-HALFCUT</b>	PXE Printer Accessory, replacement half cutter blade - For use in MP500 & MP550 printers. Comes 1 per package.
<b>MP-FULLCUT</b>	PXE Printer Accessory, replacement full cutter blade - For use in MP500 & MP550 printers. Comes 1 per package.
<b>PTR-CLN</b>	Printer cleaning kit — contains (1) cleaning pen, (8) cleaning solution soaked wipes, (8) foam swabs pre-saturated with cleaning solution, MSDS, and cleaning instructions

\*MP-REWINDER is compatible with continuous MP bulk materials 3/8 inch (9mm) and wider.



MP500



MP-REWINDER

Part Number	Description
<b>EMPLUS-CD</b>	Easy-Mark™ Labeling Software, CD-ROM
<b>EMPLUS-DL</b>	Easy-Mark™ Labeling Software, online download
<b>EMPLUS-2GO</b>	Easy-Mark™ Labeling Software, USB flash drive
<b>EMPLUS-SERVER</b>	Easy-Mark™ Labeling Software, networkable server based version

Easy-Mark Labeling Software is sold separately, not included with PXE printers.



EMPLUS



### Labels and Cassettes

View our Mobile Printers and Labels Catalog for the full offering of supported labels and cassettes.



Learn more about the MP500 and view the full mobile printer line at [panduit.com/mobileprinters](http://panduit.com/mobileprinters)