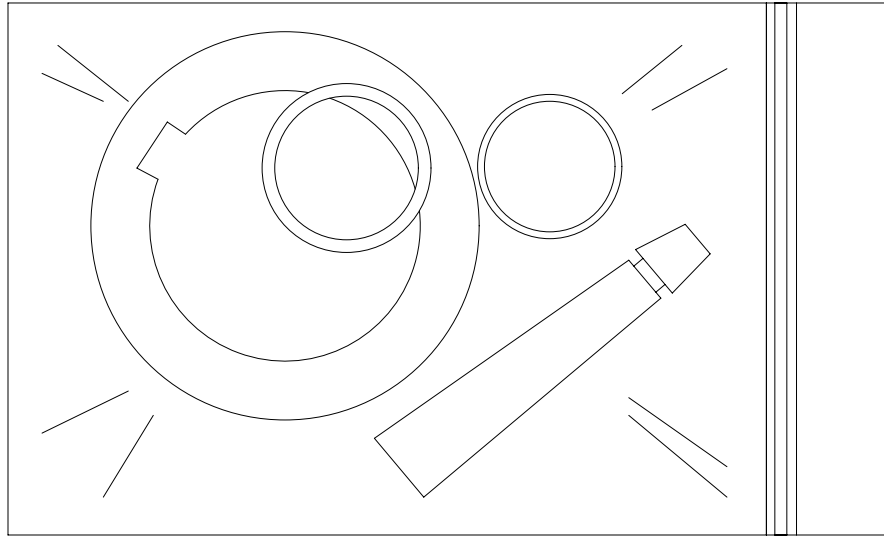


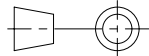
THIS COPY IS PROVIDED ON A RESTRICTED BASIS AND IS NOT TO BE USED IN ANY WAY DETRIMENTAL TO THE INTERESTS OF PANDUIT CORP.



NOTES:

1. KIT INCLUDES:
 - 1 BULKHEAD WASHER (P/N 14I216FM),
 - 1 CAP SPRING O-RING (P/N 14I216FQ),
 - 1 BODY SEAL O-RING (P/N 14I216FR),
 - 1 5G TUBE OF O-RING LUBRICANT.
2. BAG LABEL NOT SHOWN.
3. ALL MATERIALS AND COMPONENTS MUST CONFORM TO C2-0834 PANDUIT SPECIFICATION FOR CHEMICAL SUBSTANCE TO BE CONTROLLED IN PRODUCT AND PACKAGING.

PRODUCT SPEC -	PACKAGING SPEC PG-PS-13
PART NUMBER VS-AVT-ROR	WORK INSTRUCTION -
INSPECTION INSTRUCTION NUMBER GA-721	FMEA & CONTROL PLAN NUMBER -

TITLE VERISAFE REPLACEMENT O-RING, GASKET KIT	
INSPECTION DRAWING	
ITEM REVISION NAME 14I216YC/01	PANDUIT
DATASET FILE NAME 14I216YC/01	
UNLESS OTHERWISE SPECIFIED, DIMENSIONAL TOLERANCES ARE: IN [mm]	
.x ± .1 [2.54] .xxx ± .005 [.127] .xx ± .01 [.25] ANGLES ± 5 °	
 THIRD ANGLE PROJECTION	
DRAWING NUMBER: 14I216YC_DI	
DRAWN BY DFA	DATE 8/23/17
CHK MSAD	SCALE NONE
SHT 1 OF 1	
SIZE A	

REV	DATE	BY	CHK	APR	DESCRIPTION	ECN
1	9/17/21	DFA	KJM	MSAD	ADDED NOTE 3	GAECN06403
0	8/23/17	DFA	CLW	MSAD	INITIAL RELEASE	GAECN05139

D10100DA/20