



Product Installation Guide

Product Codes

IM-240V32A

LM-240V32A

VM-208V60A

UM-208V30A

VS-208V60A

VS-415V32A

VP-415V16A

VS-208V30A

VS-415V32A

VC-240V32A

LM-240V32A

IL-415V32A

HD-240V32A

| Input Voltage Rules | |
|---------------------|-------------|
| Nominal (V) | Range (V-V) |
| 110/120 | 100-120 |
| 208 | 200-208 |
| 220/230/240 | 230-240 |
| 400 | 400-415 |

This leaflet describes the installation for the Panduit Rack Power Distribution Unit (PDU) products detailed above.

The products covered by this guide are designed to be installed within 19" rack cabinets. Use of this product in other applications is acceptable but other precautions may be required to meet the requirements of a specific installation not covered by this guideline.

Product Inspection

Ensure before installation the product is inspected. If the product has any visible signs of damage please contact Panduit customer support at 800-777-3300 or cs@panduit.com. Please register your product to receive notification of firmware and product updates at: <http://bit.ly/1aXKhr1>

Product Safety Warnings

Use only in dry locations. Indoor use only.

Utiliser uniquement dans des emplacements secs



The installer must connect the power distribution unit to an electrical supply that has a protective earth conductor.

For pluggable equipment, the socket outlet shall be installed near the equipment and shall be easily accessible

For permanently connected equipment, a readily accessible disconnect device shall be incorporated external to the equipment.



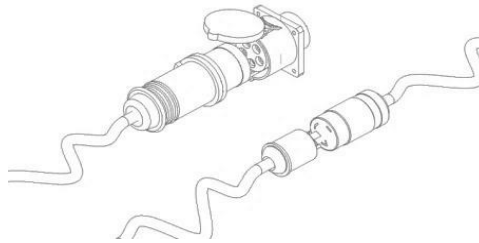
Rack PDUs must be protected by a branch circuit protective device rated at the maximum rating of the product specified on the product rating label.

To avoid risk of overload, do not plug additional multiple outlet power distribution devices into the rack PDU socket outlets.

Connection of 2-Tier Rack PDUs

- **Plug Connection Procedure**

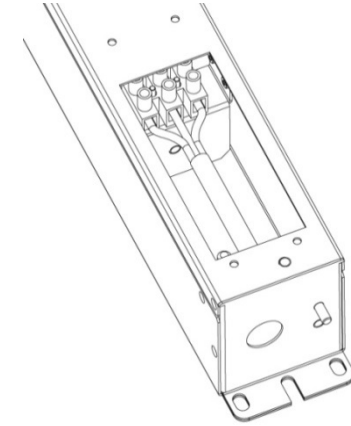
These products are intended to be connected by the customer and must be installed by a competent person in line with local and national regulations.



- **Hard Wiring Procedure**

These products are intended to be hardwired by the customer and must be installed by a competent person in line with local and national regulations.

To install the power cable, remove the securing screws on the removable user panel and connect the conductors to the rack PDU terminals. Conductors shall be connected in line with the terminal markings provided. Ensure that the cover is replaced and secure before commissioning.

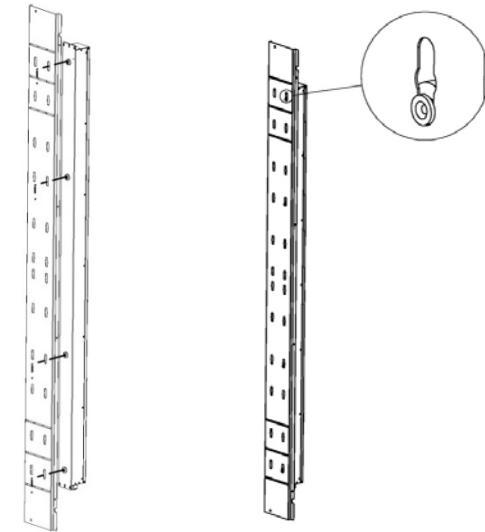


Product Mounting

This product contains an external M5 earthing stud which can be used for supplementary earth bonding to the rack metalwork.

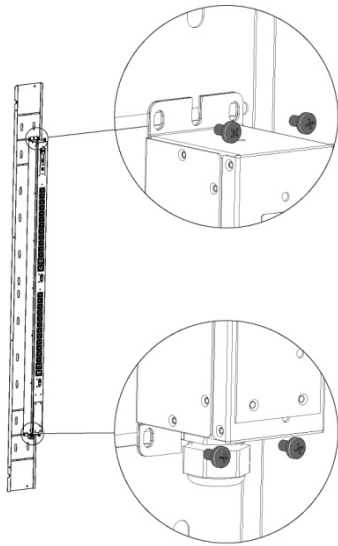
- **Tool-less Mounting button**

The product is intended to be installed using the tool-less mounting buttons, buttons locate in the fixing holes provided.

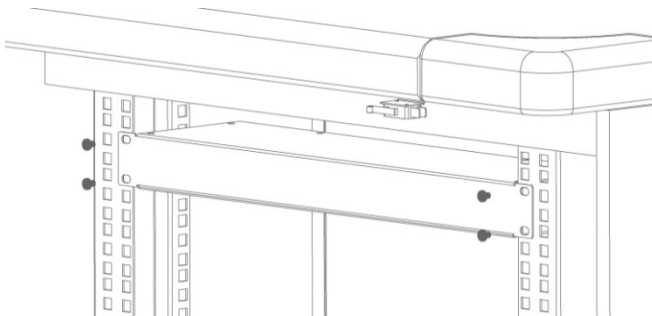


- **Bracket Mounting button**

The product is intended to be installed using via the fixing brackets found at either end of the rack PDU with accessories provided.



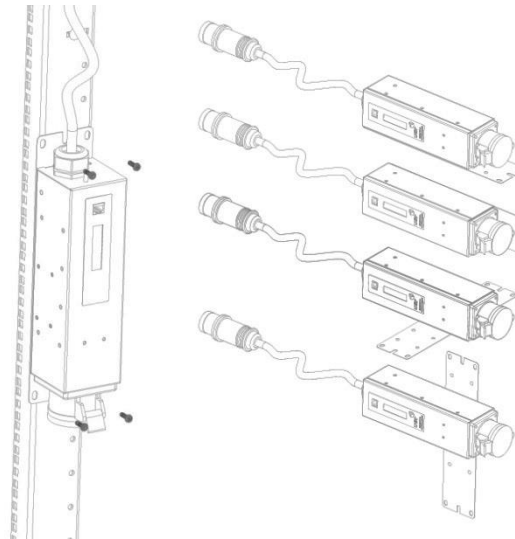
- **Horizontal 19" Mounting of SmartZone Zero-RU In-Line Meters (Duel Link Boxes)**



This product is intended to be installed using the racks RU mountings via the brackets found at either end of the rack PDU with fixing accessories provided.

- **SmartZone 1RU In-Line Meters (IQ Adaptors)**

This product is intended to be installed to the racks frame via the fixing plate mounting holes found at either end of the PDU using fixing accessories provided. Fixing plate can be adjusted for mounting as per below.



Rack PDU Operation – Monitoring Equipment

The operating instructions for the onboard monitoring equipment can be found on the CD-ROM supplied with the SmartZone Gateway EPA126 (*Eagle-i*), EPA064 (*Hawk-i3*), and EP042 (*RackMS*).

Environmental

Temperature

| | | |
|------------|-------------------|------------------|
| Operating: | 10°C (50°F) min | 40°C (104°F) max |
| Storage: | -25°C (-13°F) min | 65°C (149°F) max |

Humidity

| | | |
|------------|--------|--------------------------|
| Operating: | 5% min | 95% max (non-condensing) |
| Storage: | 5% min | 95% max (non-condensing) |

Elevation

| | | |
|------------|----------------|-------------------------|
| Operating: | 0m (0 ft.) min | 2000m (6,561 ft.) max |
| Storage: | 0m (0 ft.) min | 15240m (50,000 ft.) max |



This Class A device complies with part 15 of the FCC Rules. Operation is subject to the following two conditions: (1) This device may not cause harmful interference, and (2) this device must accept any interference received, including interference that may cause undesired operation. This Class A digital apparatus complies with Canadian ICES-003. Cet appareil numérique de la classe A est conforme à la norme NMB-003 du Canada.

The information provided in this leaflet is subject to change without notice. Any guidance notes given with regards to complying with specific standards are provided as an aid to the installer and are interpretations of those standards only.