

## technical specifications

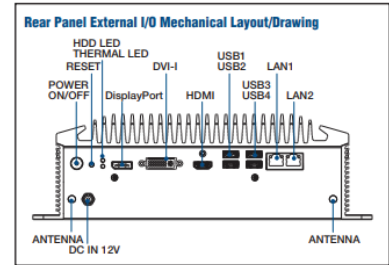
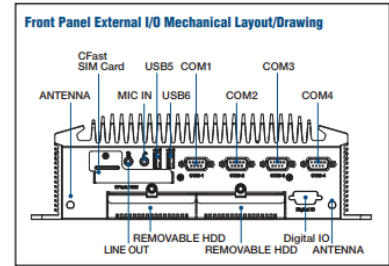
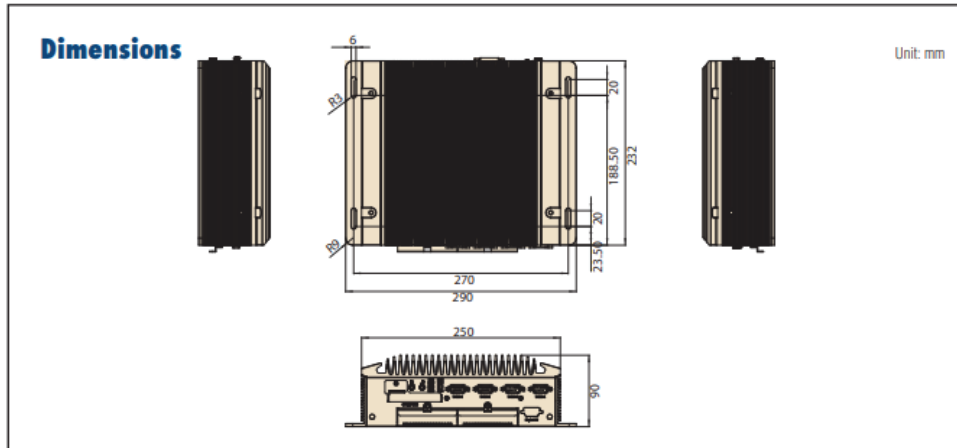
---

The Active Control™ Appliance is designed to run the SynapSense® Active Control™ Program and connect to a network in pairs. It receives data from the SynapSense® Environmental Server and sends control signals to cooling units or building management system to optimize power usage by cooling equipment.

## performance specifications

<b>Processor System</b>	<b>CPU (rPGA)</b>	Intel Core i7-310QE
	<b>Frequency</b>	2-3Ghz (Quad Core)
	<b>L3 Cache</b>	6MB
	<b>Watts</b>	45 W
<b>Memory</b>	<b>Technology</b>	DCR3/DDR3L 1500 MHz
<b>Graphics</b>	<b>CRT</b>	VGA Integrated in DVI-I port
	<b>DVI-I</b>	1920 x 1200 @ 60 Hz
	<b>HDMI</b>	Support HDMI 1.4 1.4 1920 x 1200 @ 60HZ
	<b>Display Port</b>	2560 x 1600 @ 60 Hz (Video only, and only support on 3rd generation processor)
<b>Ethernet</b>	<b>LAN1</b>	10/100/1000 Mbps Intel 82579LM GbE, support Wake On Lan
	<b>LAN2</b>	10/100/1000 Mbps Intel 1-210iT GbE, support Wake On Lan
<b>I/O Interface</b>	<b>Serial Port</b>	2 x RS-232 ports, 2 RS-232/422/485 port with auto flow control
	<b>USB</b>	4 x USB 3.0 ports (USB1,2,3,4) and 2 x USB 2.0 ports (USB5,6)
<b>Expansion</b>	<b>Mini PCIe</b>	2 x Full-size Mini PCIe with SIM holder (supports mSATA)
<b>Storage</b>	<b>HDD</b>	Two 2.5" SATA removable HDD Bays with Maximum device height 9.5 mm, SATA III, Gen 3 Support (max. Data transfer rate 600 MB/s).
	<b>Solid State Disk</b>	1 x CFast Card

# Panduit® SynapSense® Active Control™ Appliance



## mechanical specifications

<b>Power Requirements</b>	Power Type				
	Power Input Voltage		12 Voc, $\pm$ 10% (9-34 Voc support by request)		
	Power Adapter		AC to DC, DC12V/7A, 84 (Optional)		
<b>Power Consumption</b>	Typical	19.2W	16.4W	14.8W	16.4W
	Max.	60W Max.: test with 100% CPU loading and HDU R/W access only	36.5W	30W	31.8W
<b>Mechanical</b>	Construction		Aluminum Housing		
	Mounting		Desk/wall-mounting		
	Dimensions (WxHxD)		290x90x232 mm (11.4' x 3.54' x 9.13')		
	Weight		4.65kg		
<b>Environment</b>	Operating Temperature		With extended temp peripheral: -1D – 60°C with .7m/s air flow with HDD: 0-40° with .7m/s air flow		
	Storage Temperature		-40-80°C		
	Relative Humidity		95% @ 40° (non-condensing)		
	Vibration During Operation		With SSD: 3Gms, IES 60068-2-64, random, 5-500 Hz, 1 hr/axis		
	Shock During Operation		With SSD: 50 G, IEC 60068-2-27, half sine, 11 ms duration		
	EMC		CE/FCC Class A, BSMI		
	Safety		CB, UL, BSMI		

### WORLDWIDE SUBSIDIARIES AND SALES OFFICES

PANDUIT US/CANADA  
Phone: 800.777.3300

PANDUIT EUROPE LTD.  
London, UK  
Phone: 44.20.8601.7200

PANDUIT SINGAPORE PTE. LTD.  
Republic of Singapore  
Phone: 65.6305.7575

PANDUIT JAPAN  
Tokyo, Japan  
Phone: 81.3.6863.6000

PANDUIT LATIN AMERICA  
Guadalajara, Mexico  
Phone: 52.33.3777.6000

PANDUIT AUSTRALIA PTY. LTD.  
Victoria, Australia  
Phone: 61.3.9794.9020

For a copy of Panduit product warranties, log on to [www.panduit.com/warranty](http://www.panduit.com/warranty)

For more information

Visit us at [www.panduit.com](http://www.panduit.com)

[iai@panduit.com](mailto:iai@panduit.com)

**PANDUIT®**

©2018 Panduit Corp.  
ALL RIGHTS RESERVED.  
PVDS14--SA-ENG  
3/2018