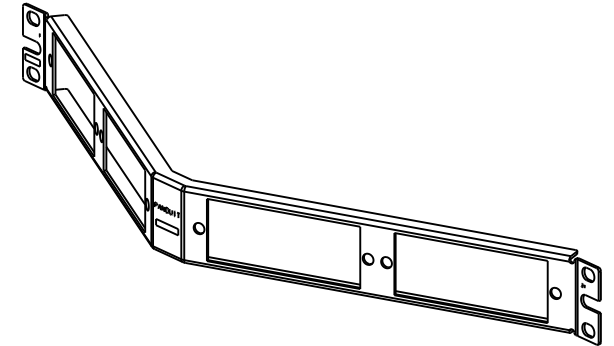
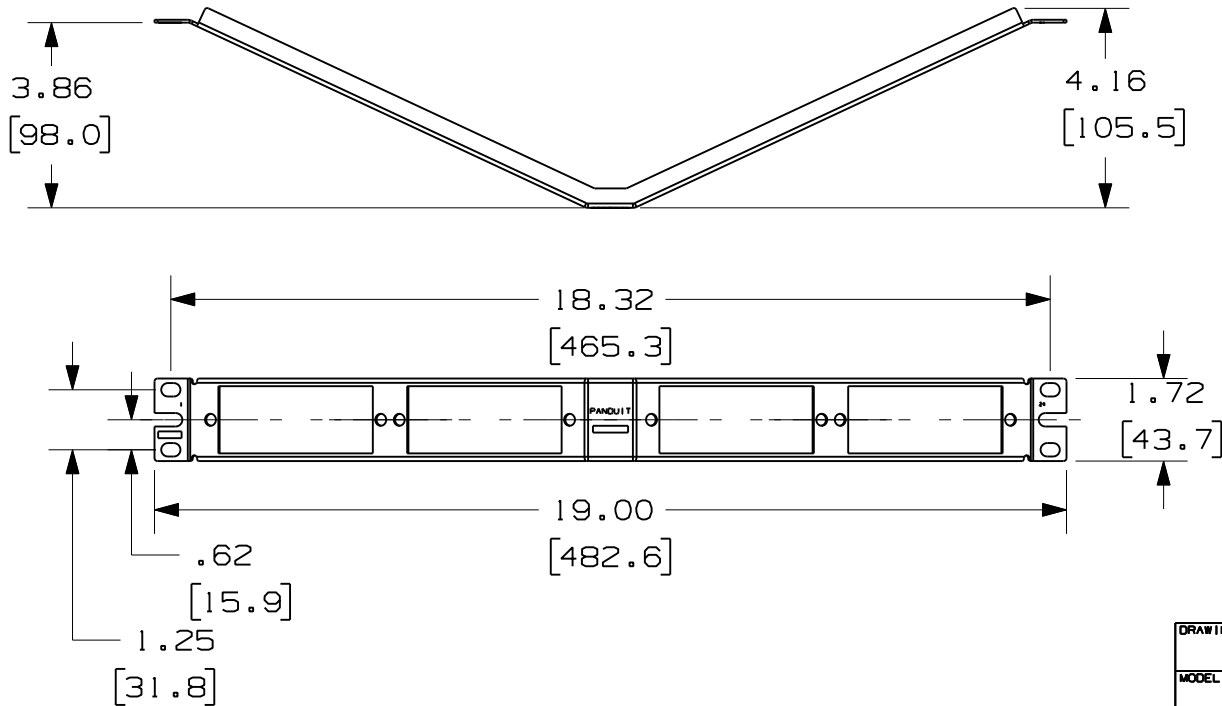


THIS COPY IS PROVIDED ON A RESTRICTED BASIS AND IS NOT TO BE USED IN ANY WAY DETRIMENTAL TO THE INTERESTS OF PANDUIT CORP.

NOTES:

1. SEE CURRENT CATALOG FOR COMPLETE LIST OF PARTS APPLICABLE FOR USE WITH THIS PART.
2. THE PATCH PANEL IS DESIGNED FOR MOUNTING TO FMT1A TRAY OR 19" UNIVERSAL RACKS.
3. PACKAGE CONTENTS:
 (1) 1RU PATCH PANEL.
 (1) SCREW KIT (FOUR #12-24 SCREWS).
 (1) SCREW KIT (FOUR M6 SCREWS).
4. DIMENSIONS IN PARENTHESES ARE METRIC.

PANDUIT PART NO.	WEIGHT
CFAPPBL1A	4.7 LB/10 PCS (2131.8 g/10 PCS)



DRAWING FILENAME	F00041BA_DC/01A.PRT	SIZE	A
MODEL FILENAME	F00041BA/01A		

1RU ANGLED PATCH PANEL FRAME
CUSTOMER DRAWING

<p>PANDUIT™ CORP. TINLEY PARK, ILL 60477</p>	I.I. NUMBER
	PROD SPEC/PKG SPEC
<p>THIRD ANGLE PROJECTION</p>	ASSY METHOD/TEST METHOD
	SCALE 1:4
DRAWN BY LEHO	REVIEW DRAWING NUMBERS
DATE 8/19/08	PART NO. CFAPPBL1A
CHK'D	DRAWING NO. F00041BA_DC
SEE NOTES	

REV	DATE	BY	CHK	DESCRIPTION	ECN	R	CUST	SUP	OTH
R	8/19/08	LEHO		RELEASE TO PRODUCTION	F00041BA_DC				