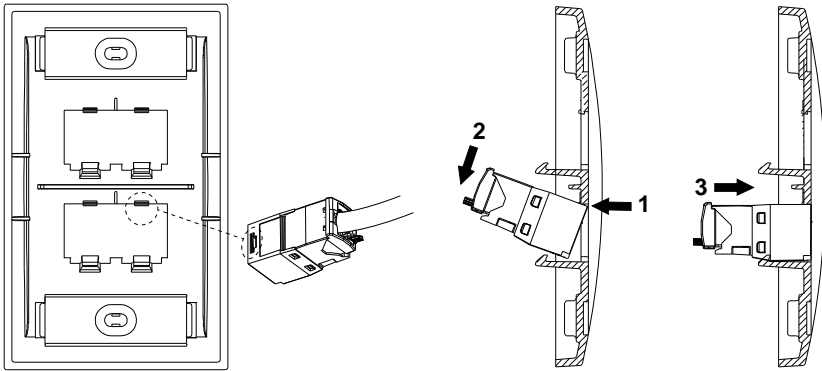


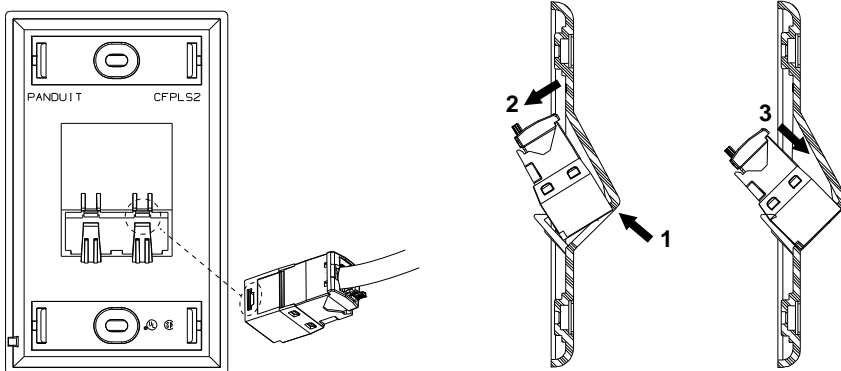
FACEPLATE INSTALLATION

CFP, CFPL, CFPE & CFPH Module Installation

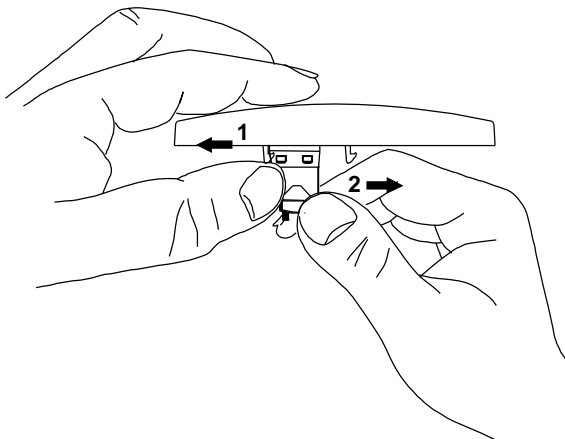


Note: Logo orientation is not an indicator of faceplate mounting direction.

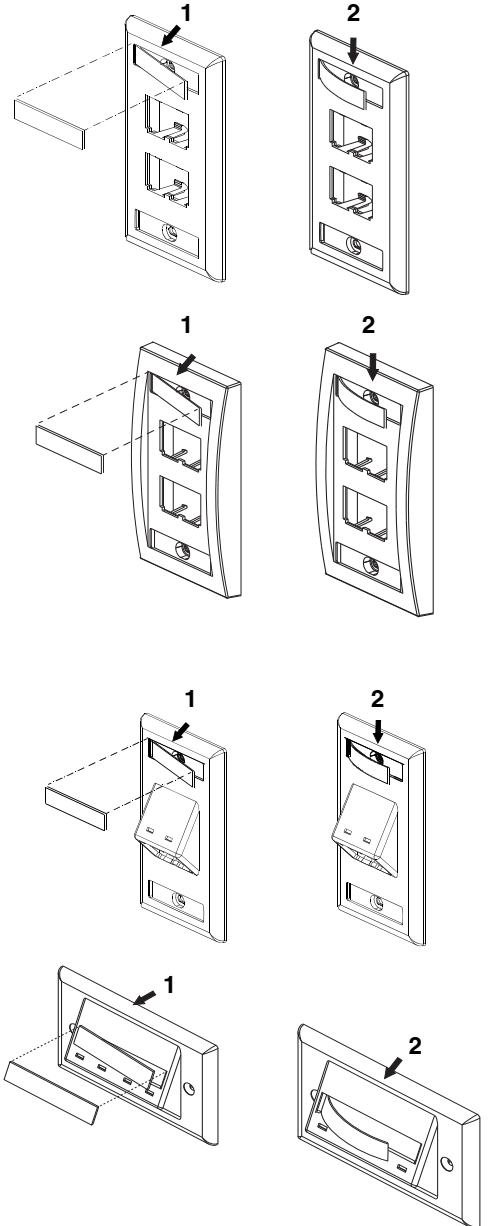
CFPSL & CFPHSL Module Installation



MODULE REMOVAL



Cover Installation (CFPE, CFPL, CFPSL, CFPHSL ONLY)



For Instructions in Local Languages
and Technical Support:

www.panduit.com/resources/install_maintain.asp

PANDUIT
www.panduit.com

E-mail:
techsupport@panduit.com

Phone:
866-405-6654