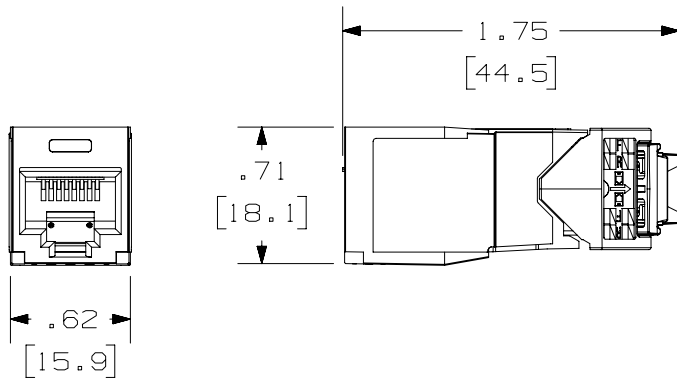
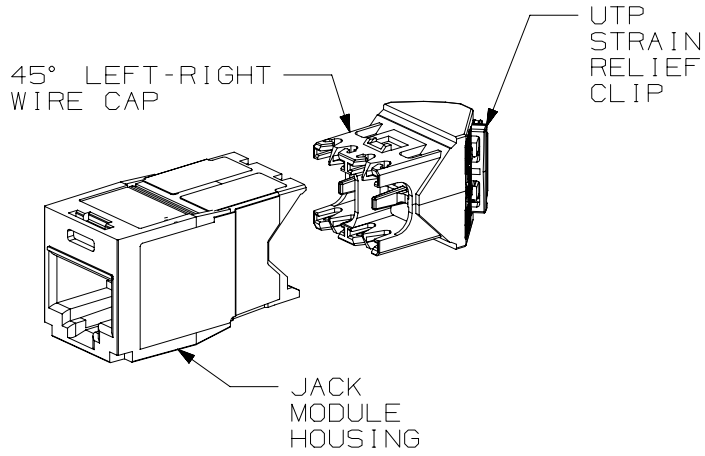


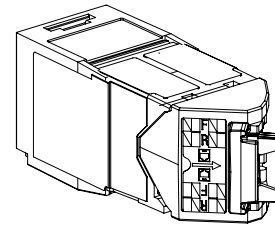
THIS COPY IS PROVIDED ON A RESTRICTED BASIS AND IS NOT TO BE USED IN ANY WAY DETRIMENTAL TO THE INTERESTS OF PANDUIT CORP.

NOTES:

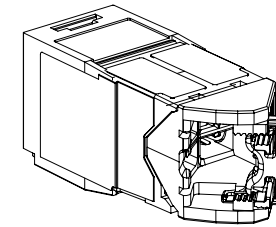
1. VISIT OUR ON-LINE CATALOG AT WWW.PANDUIT.COM FOR A LIST OF CURRENT PARTS APPLICABLE FOR USE WITH THIS PRODUCT.
2. BLUE COLOR WIRE CAP ASSEMBLY DESIGNATES TIA CATEGORY 6A (ISO 11801 CLASS EA) PERFORMANCE.
3. TO DESIGNATE A JACK MODULE COLOR, ADD A TWO LETTER COLOR NUMBER SUFFIX. SEE TABLE 1 AND CURRENT CATALOG FOR AVAILABLE PART NUMBER SUFFIXES TO INDICATE COLOR AND/OR PACKAGE QUANTITY.
4. ALL TX6A™ 10GIG™ CATEGORY 6A, 8 POSITION, 8 WIRE CONNECTOR MODULES ARE UNIVERSAL IN DESIGN. THEY ACCEPT ACCCEPT SIX AND EIGHT POSITION MODULAR PLUGS WITHOUT DAMAGE.
5. TERMINATES 22-26AWG SOLID OR STRANDED UTP CABLE LEFT AND RIGHT HORIZONALLY.
6. SEE INSTALLATION INSTRUCTION FOR PROPER TERMINATION METHOD.
7. WIRE CAP LABEL WHICH IS PART OF THE WIRE CAP ASSEMBLY IS CODED FOR T568B WIRING SCHEME.
8. PART INCLUDES:
MODULE HOUSING: ABS W/ UL94V-0 FLAME RATING.
WIRE CAP ASSEMBLY: POLYCARBONATE W/ UL94V-0 FLAME RATING.
9. WEIGHT: 1.53 LBS/100 PCS (695 g/100 PCS).
10. DIMENSIONS IN [] ARE METRIC.
11. ALL MATERIALS AND COMPONENTS USED MEET THE MATERIAL RESTRICTIONS OF RoHS (EUROPEAN DIRECTIVE 2011/65/EU ON THE RESTRICTION OF HAZARDOUS SUBSTANCES) AS PROPOSED BY THE RoHS TECHNICAL ADAPTATION COMMITTEE.



WIRE CAP SHOWN IN "LEFT" DIRECTION



WIRE CAP SHOWN IN "RIGHT" DIRECTION



PART NUMBER		CJLR6X88TG**		
TITLE		TX6A™ 10GIG™ CATEGORY 6A JACK MODULE WITH LEFT/RIGHT WIRE CAP ASSEMBLY		
ITEM REVISION NAME		CUSTOMER DRAWING		
DATASET FILE NAME		00153LAL/01		
MATERIAL		00153LAL_DC/01A		
DRAWING NUMBER		00153LAL-02		
THIRD ANGLE PROJECTION				
DRAWN BY		SEE NOTE 8		
DATE		4-4-18		
CHK		DCS		
SCALE		FULL		
SHEET 1 OF 2		A		

REV	DATE	BY	CHK	APR	DESCRIPTION	ECN
1	4-18-18	BJN	ROJC	TMBA	UPDATED WIRE MAP LABEL	00153LAL-02
R	4-4-18	BJN	DCS	TMBA	RELEASED TO PRODUCTION	00153LAL-02

A-SIZE CUSTOMER

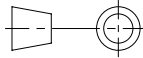
2

1

THIS COPY IS PROVIDED ON A RESTRICTED BASIS AND IS NOT TO BE USED IN ANY WAY DETRIMENTAL TO THE INTERESTS OF PANDUIT CORP.

TABLE 1: ASSEMBLY PART NUMBERS

ASSEMBLY PART NUMBER (INDIVIDUAL)	Assembly Part Number (BULK PACK OF 24)	FRONT JACK MODULE COLOR
CJLR6X88TGAW	CJLR6X88TGAW-24	Arctic White
CJLR6X88TGBL	CJLR6X88TGBL-24	Black
CJLR6X88TGBU	CJLR6X88TGBU-24	Blue
CJLR6X88TGEI	CJLR6X88TGEI-24	Electric Ivory
CJLR6X88TGGR	CJLR6X88TGGR-24	Green
CJLR6X88TGIG	CJLR6X88TGIG-24	International Gray
CJLR6X88TGIW	CJLR6X88TGIW-24	International White
CJLR6X88TGOR	CJLR6X88TGOR-24	Orange
CJLR6X88TGRD	CJLR6X88TGRD-24	Red
CJLR6X88TGVL	CJLR6X88TGVL-24	Violet
CJLR6X88TGW	CJLR6X88TGW-24	White
CJLR6X88TGYL	CJLR6X88TGYL-24	Yellow

PART NUMBER		CJLR6X88TG**										
TITLE												
TX6A™ 10GIG™ CATEGORY 6A JACK MODULE WITH LEFT/RIGHT WIRE CAP ASSEMBLY												
CUSTOMER DRAWING												
ITEM REVISION NAME		00153LAL/01										
DATASET FILE NAME		00153LAL_DC/01A										
		THIRD ANGLE PROJECTION										
MATERIAL		SEE NOTE 8										
DRAWING NUMBER		00153LAL-02										
REV	DATE	BY	CHK	APR	DESCRIPTION	ECN	DRAWN BY	DATE	CHK	SCALE	SHEET 2 OF 2	SIZE
1	4-18-18	BJN	ROJC	TMBA	SEE SHEET 1 FOR REVISION HISTORY	00153LAL-02	BJN	4-4-18	DCS	FULL		A
R	4-4-18	BJN	DCS	TMBA	SEE SHEET 1 FOR REVISION HISTORY	00153LAL-02						

2

1

B

B

A

A

A-SIZE CUSTOMER

1	4-18-18	BJN	ROJC	TMBA	SEE SHEET 1 FOR REVISION HISTORY	00153LAL-02
R	4-4-18	BJN	DCS	TMBA	SEE SHEET 1 FOR REVISION HISTORY	00153LAL-02