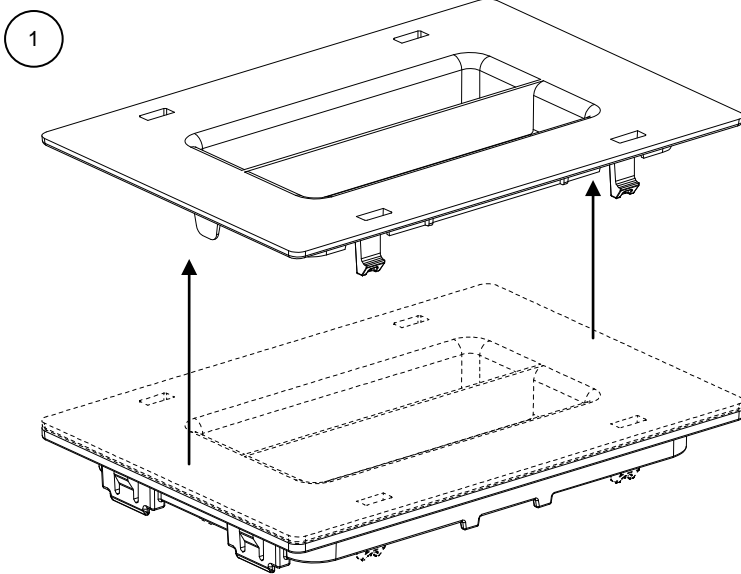
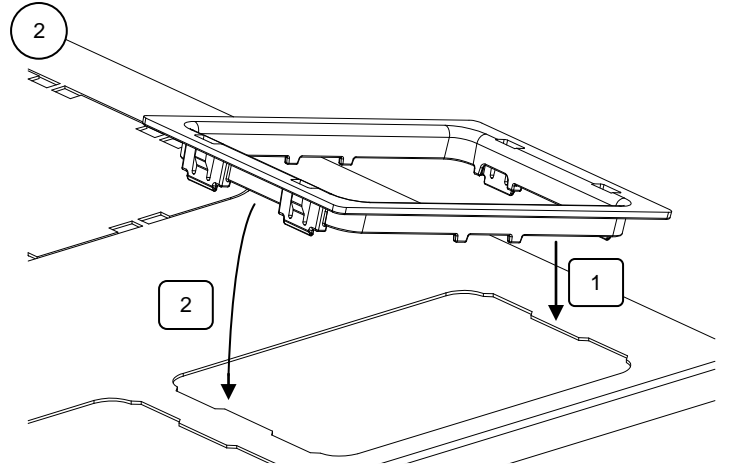


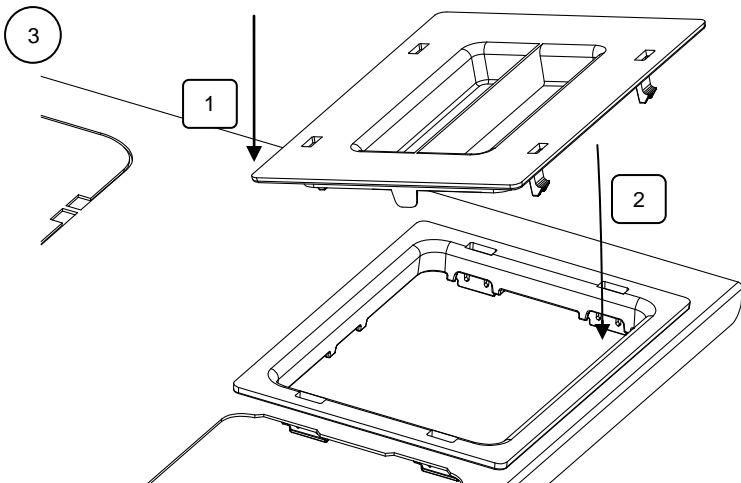
CTCN3X5



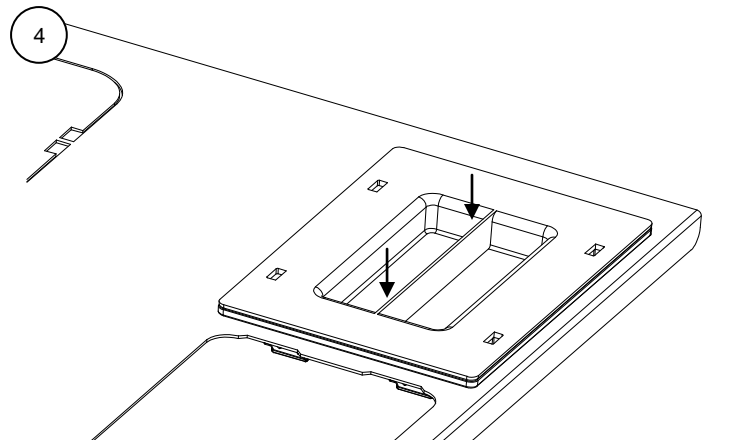
Remove top cover from bezel



Insert one side of bezel, edgewise, into the top cap opening. Then pivot second side down, snapping bezel into place on ends. Visually inspect to ensure tabs have engaged below opening.



Insert one side of cover, lengthwise, into bezel. Then pivot second side down, snapping cover into place



Using the finger pull, apply moderate forces in any direction to ensure the part is secured into the cabinet top cap.

For Instructions in Local Languages
and Technical Support:
www.panduit.com/resources/install_maintain.asp

PANDUIT
www.panduit.com

E-mail:
techsupport@panduit.com
Phone:
866-405-6654