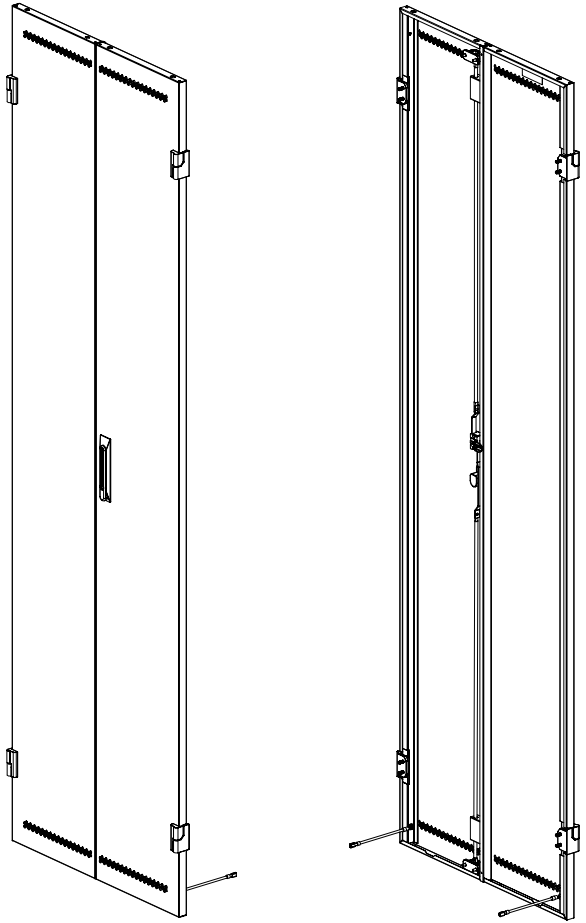
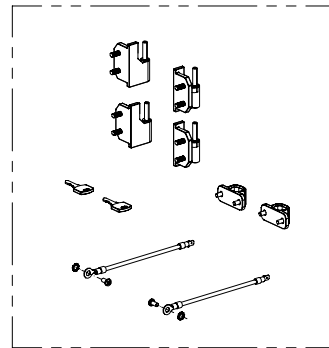


THIS COPY IS PROVIDED ON A RESTRICTED BASIS AND IS NOT TO BE USED IN ANY WAY DETRIMENTAL TO THE INTERESTS OF PANDUIT CORP.



PANDUIT PART NO.	DESCRIPTION	WEIGHT
D62RD*	D-TYPE SPLIT REAR DOOR 600mm WIDE X 42RU	15.75 Kg/EACH (34.72 LBS/EACH)
D65RD*	D-TYPE SPLIT REAR DOOR 600mm WIDE X 45RU	16.75 Kg/EACH (36.93 LBS/EACH)
D68RD*	D-TYPE SPLIT REAR DOOR 600mm WIDE X 48RU	17.75 Kg/EACH (39.13 LBS/EACH)
D82RD*	D-TYPE SPLIT REAR DOOR 800mm WIDE X 42RU	17.75 Kg/EACH (39.13 LBS/EACH)
D85RD*	D-TYPE SPLIT REAR DOOR 800mm WIDE X 45RU	18.75 Kg/EACH (41.34 LBS/EACH)
D88RD*	D-TYPE SPLIT REAR DOOR 800mm WIDE X 48RU	19.75 Kg/EACH (43.54 LBS/EACH)

NOTE:
 * DENOTES COLOR - ADD SUFFIX
 "B" FOR BLACK AND "W" FOR WHITE



HARDWARE
(PACKAGED)

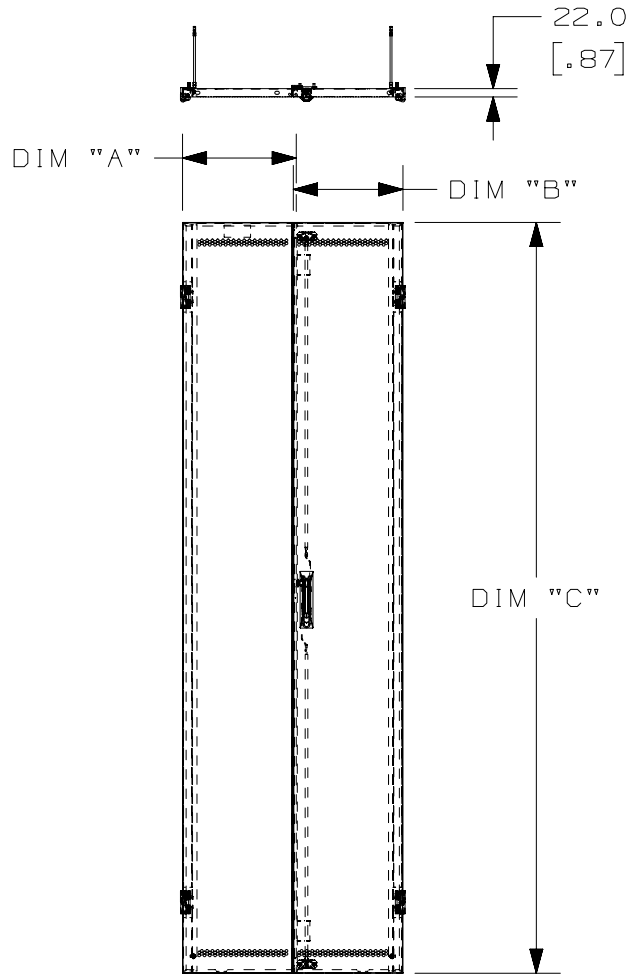
- NOTES:
- VISIT OUR ON-LINE CATALOG AT WWW.PANDUIT.COM FOR A LIST OF CURRENT PARTS APPLICABLE FOR USE WITH THIS PRODUCT.
 - PRIMARY DIMENSIONS ARE IN MILLIMETERS (mm).
 - PARTS SUPPLIED:
 - (1) - SET OF SPLIT DOORS WITH FEMALE HINGES AND GROUND WHIPS INSTALLED
 - (1) - HARDWARE KIT: HINGES, GROUNDING WHIPS, MOUNTING HARDWARE
 - (1) - INSTRUCTION SHEET

REV	DATE	BY	CHK	APR	DESCRIPTION	ECN
04A	5-31-18	LEE	DWR	SJP	A. ADDED D68RD8 & D88RD* TO CHARTS, SHT's 1 & 2	V09001RP
02A	1-16-17	LEE	DWR		RELEASED TO PRODUCTION	V09001CM/05

TITLE		D-TYPE SPLIT REAR DOOR D**RD*		
ITEM REVISION NAME		CUSTOMER DRAWING		
DATASET FILE NAME		15V526ZL/04	PANDUIT	
		15V526ZL_DC/04A		
MATERIAL:		N/A		
DRAWING NUMBER:		15V526ZL-DC		
DRAWN BY	DATE	CHK	SCALE	SIZE
LEE	1-16-17	DWR	NONE	A
THIRD ANGLE PROJECTION		SHT 1 OF 2		

DI10100DA/20

THIS COPY IS PROVIDED ON A RESTRICTED BASIS AND IS NOT TO BE USED IN ANY WAY DETRIMENTAL TO THE INTERESTS OF PANDUIT CORP.



PANDUIT PART NO.	DESCRIPTION	DIM "A"	DIM "B"	DIM "C"
D62RD*	D-TYPE SPLIT REAR DOOR 600mm WIDE X 42RU	290.1 [11.42]	301.0 [11.85]	1986.0 [78.19]
D65RD*	D-TYPE SPLIT REAR DOOR 600mm WIDE X 45RU	290.1 [11.42]	301.0 [11.85]	2119.0 [83.42]
D68RD*	D-TYPE SPLIT REAR DOOR 800mm WIDE X 48RU	290.1 [11.42]	301.0 [11.85]	2253.2 [88.71]
D82RD*	D-TYPE SPLIT REAR DOOR 800mm WIDE X 42RU	390.1 [15.36]	401.0 [15.79]	1986.0 [78.19]
D85RD*	D-TYPE SPLIT REAR DOOR 800mm WIDE X 45RU	390.1 [15.36]	401.0 [15.79]	2119.0 [83.42]
D88RD*	D-TYPE SPLIT REAR DOOR 800mm WIDE X 48RU	390.1 [15.36]	401.0 [15.79]	2253.2 [88.71]

REV	DATE	BY	CHK	APR	DESCRIPTION	ECN
04A	5-31-18	LEE	DWR	SJP	SEE SHEET 1 FOR REVISIONS	V09001RP
02A	1-16-17	LEE	DWR		SEE SHEET 1 FOR REVISIONS	V09001CM/05

TITLE				D-TYPE SPLIT REAR DOOR D**RD*			
CUSTOMER DRAWING							
ITEM REVISION NAME				15V526ZL/04			
DATASET FILE NAME				15V526ZL_DC/04A			
MATERIAL:				N/A			
DRAWING NUMBER:				15V526ZL - DC			
DRAWN BY		DATE		CHK		SCALE	
LEE		1-16-17		DWR		NONE	
SHT 2 OF 2				A			

D10100DA/20