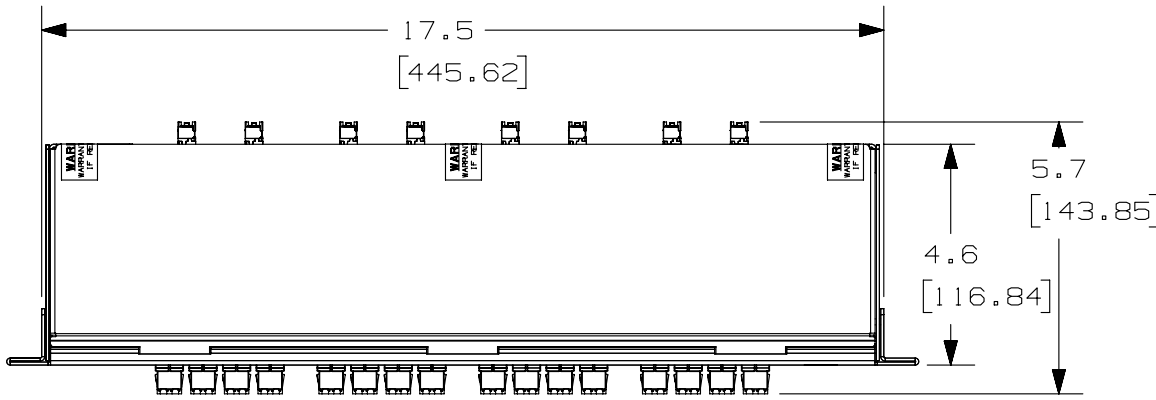
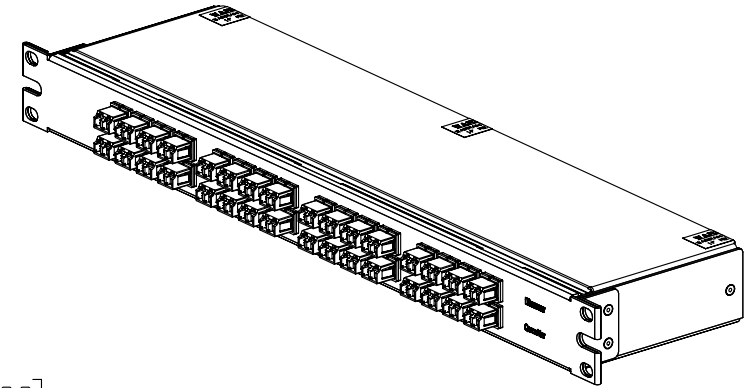
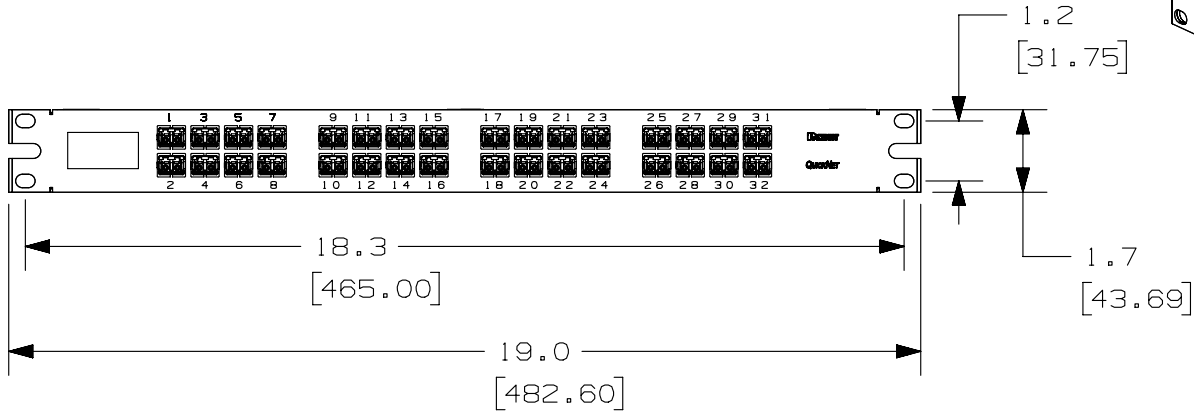


THIS COPY IS PROVIDED ON A RESTRICTED BASIS AND IS NOT TO BE USED IN ANY WAY DETRIMENTAL TO THE INTERESTS OF PANDUIT CORP.



NOTES:

1. SEE CURRENT CATALOG FOR PART NUMBER SUFFIXES TO INDICATE COLOR AND/OR PACKAGE QUANTITIES.
2. SEE CATALOG FOR A COMPLETE LIST OF PARTS APPLICABLE FOR USE WITH THIS PRODUCT.
3. REFERENCE TIA-568-C.0. FOR DETAILS ON METHOD A CONNECTIVITY.
4. MATERIALS:
A. BOX AND LID: ALUMINUM
B. ADAPTERS: COMPOSITE PLASTIC
5. CASSETTE WEIGHT: 32.0oz (900.0g)
6. DIMENSIONS IN BRACKETS ARE METRIC
7. ALL MATERIALS AND COMPONENTS USED MEET THE MATERIAL RESTRICTIONS OF RoHS, (EUROPEAN DIRECTIVE 2011/65/EC ON THE RESTRICTIONS OF HAZARDOUS SUBSTANCES) AS PROPOSED BY THE RoHS TECHNICAL ADAPTATION COMMITTEE.



ISOMETRIC VIEW

| | | | | | | | | | |
|---------------------------------|--|--|--|--|--|--|--|--------------------------------|--|
| | | | | | TITLE HDQ SERIES FIBER OPTIC FLAT CASSETTES FOR CISCO 32 PORTS (64 FIBERS) | | | | |
| | | | | | CUSTOMER DRAWING | | | | |
| | | | | | ITEM REVISION NAME 12F193AE/00 | | | PANDUIT | |
| | | | | | DATASET FILE NAME 12F193AE_DC/00B | | | | |
| | | | | | UNLESS OTHERWISE SPECIFIED, DIMENSIONAL TOLERANCES ARE: IN (mm) | | | | |
| | | | | | .X ± .xxx ± .010 (0.3) | | | MATERIAL: SEE NOTES | |
| | | | | | .XX ± .03 (0.8) ANGLES ± | | | | |
| 01 09-24-13 SAT YMG | | | | | RELEASED TO PRODUCTION | | | DRAWING NUMBER: 12F193AE-DC | |
| REV DATE BY CHK APR DESCRIPTION | | | | | ECN | | | DRAWN BY DATE CHK SCALE | |
| | | | | | SAT 05-15-13 YMG NONE | | | SHT 1 OF 3 | |
| | | | | | | | | SIZE A | |

