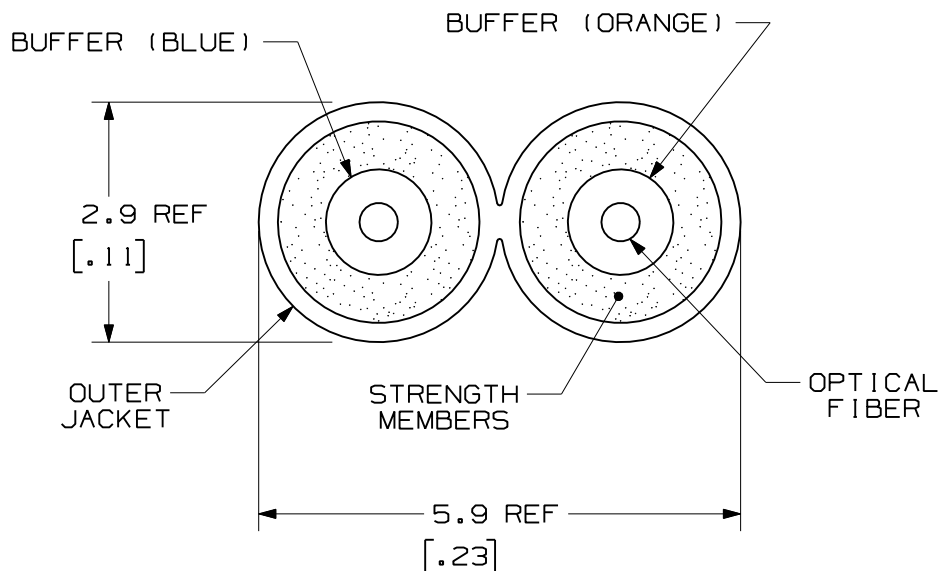


THIS COPY IS PROVIDED ON A RESTRICTED BASIS AND IS NOT TO BE USED IN ANY WAY DETRIMENTAL TO THE INTERESTS OF PANDUIT CORP.

NOTES:

1. DIMENSIONS SHOWN FOR REFERENCE ONLY.
2. DIMENSIONS IN BRACKETS [ ] ARE ENGLISH.




PART NUMBERS AVAILABLE	FIBER TYPE	JACKET RATING	COLOR
FL1R902Y	SINGLEMODE 9/125um	RISER	YELLOW
FL1L902Y		OFNR-LS	
FL1R602Y	MULTIMODE 62.5/125um	RISER	ORANGE
FL1L602Y		OFNR-LS	
FL1R502Y	MULTIMODE 5/125um	RISER	ORANGE
FL1L502Y		OFNR-LS	
FL1RX02Y	MULTIMODE 50/125um OM3	RISER	AQUA
FL1LX02Y		OFNR-LS	
FL1RV02Y	MULTIMODE 50/125um OM3 150 METER LONG REACH	RISER	AQUA
FL1LV02Y		OFNR-LS	

TECHNICAL SPECIFICATIONS		
<b>MAXIMUM LOSS - MULTIMODE</b> 3.5 dB/KM @ 850nm 1.5 dB/KM @ 1300nm	<b>BEND RADIUS</b>	
	INSTALLATION 118 mm (4.6 in)	LONG TERM 59 mm (2.3 in)
<b>MAXIMUM LOSS - SINGLEMODE</b> .75 dB/KM @ 1310nm .75 dB/KM @ 1550nm	<b>TENSILE LOAD</b>	
	INSTALLATION 220 N (55 lbf)	LONG TERM 55 N (12 lbf)
<b>TEMPERATURE</b>		
<b>INSTALLATION/OPERATION</b>		<b>STORAGE</b>
0° C TO 50° C 32° F TO 158° F		-40° C TO +65° C -40° F TO +149° F

REV	DATE	BY	CHK	DESCRIPTION	ECN	R	CUST	SUP	OTH
01	03-13-07	EFK		RELEASED TO PRODUCTION	02055-70				

OPTI-CORE FIBER OPTIC DUPLEX ZIPCORD  
INTERCONNECT CABLE  
CUSTOMER DRAWING



**PANDUIT**™  
CORP.  
TINLEY PARK, ILL 60477

ALL DIMENSIONS ARE GIVEN IN INCHES,  
UNLESS OTHERWISE SPECIFIED,  
DIMENSIONAL TOLERANCES ARE:  
(.X) (.XXX)±0.3 (.010)  
(.XX)±0.8 (.03) ANGLES

DRAWING FILENAME  
MO2055CD\_DC\_00B.prt  
SCALE  
NONE

THIRD ANGLE PROJECTION

DRAWN BY: MC  
DATE: 08-25-05  
CHK'D: WMA

REVIEW DRAWING NUMBERS

PART NO.  
FL1R\*02Y/FL1L\*02Y  
DRAWING NO.  
02055-70  
SIZE  
A