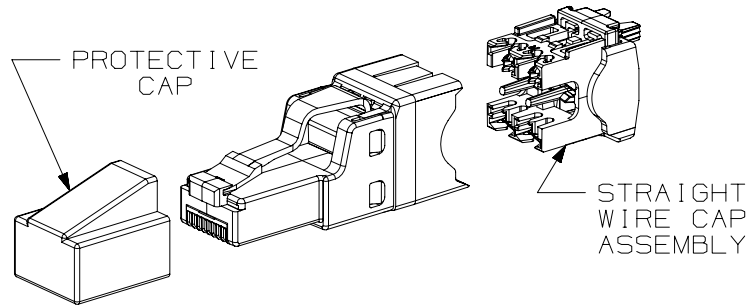
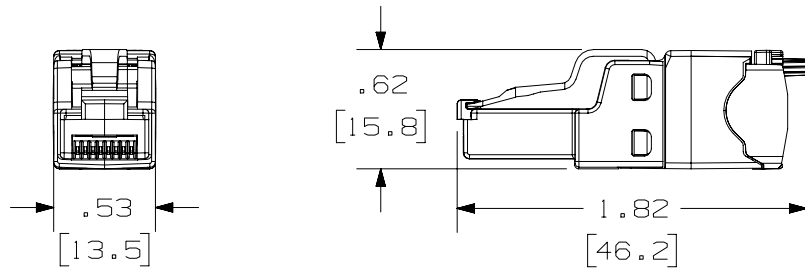


THIS COPY IS PROVIDED ON A RESTRICTED BASIS AND IS NOT TO BE USED IN ANY WAY DETRIMENTAL TO THE INTERESTS OF PANDUIT CORP.

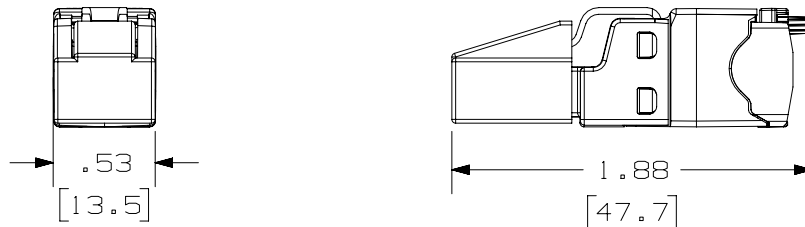


NOTES:

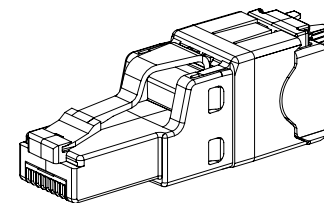
1. VISIT OUR ON-LINE CATALOG AT WWW.PANDUIT.COM FOR A LIST OF CURRENT PARTS APPLICABLE FOR USE WITH THIS PRODUCT.
2. DIMENSIONS IN [ ] ARE METRIC.
3. ALL MATERIALS AND COMPONENTS USED MEET THE MATERIAL RESTRICTIONS OF RoHS (EUROPEAN DIRECTIVE 2011/65/EU ON THE RESTRICTION OF HAZARDOUS SUBSTANCES) AS PROPOSED BY THE RoHS TECHNICAL ADAPTATION COMMITTEE.
4. WEIGHT: 0.41LBS/ 100 PCS (186g/ 100 PCS).
5. PART INCLUDES:  
PLUG ENCLOSURE: POLYCARBONATE W/ UL94V-0 FLAME RATING  
CONTACTS & IDCs: PHOSPHOR BRONZE
6. MEETS OR EXCEEDS PROPOSED TIA CATEGORY 6A, 6, AND 5E MODULAR PLUG TERMINATED LINK REQUIREMENTS WITH UP TO TWO FIELD TERMINABLE PLUGS IN LINK.
7. TERMINATES 22-26AWG SOLID OR STRANDED UTP CABLE.
8. SEE INSTALLATION INSTRUCTIONS FOR PROPER TERMINATION METHODS.
9. OPERATIONAL TEMPERATURE: -40°F TO +167°F (-40°C TO +75°C)
10. STORAGE TEMPERATURE: -40°F TO +167°F (-40°C TO +75°C)
11. 8 POSITION, 8 WIRE UTP RJ45 PLUG W/STRAIGHT WIRE CAP ASSEMBLY, WIRE CAP LABEL IS CODED FOR T568A & T568B WIRING SCHEMES.



WITHOUT PROTECTIVE CAP



WITH PROTECTIVE CAP



ACTUAL SIZE

PART NUMBER		FP6X88MTG		
TITLE				
TX6A FIELD TERMINABLE UTP RJ45 PLUG W/STRAIGHT WIRE CAP ASSEMBLY				
CUSTOMER DRAWING				
ITEM REVISION NAME		00068SAC/29		
DATASET FILE NAME		00068SAC_DC02/29A		
MATERIAL		SEE NOTE 5		
DRAWN BY		DATE	CHK	SCALE
BJN		12-20-17	DCS	NONE
DRAWING NUMBER		00068SAC-02		
SHEET 1 OF 1		A		

REV	DATE	BY	CHK	APR	DESCRIPTION	ECN
6	9-19-18	BJN	DCS	TMBA	UPDATED	00068SAC-02
5	1-5-18	BJN	DCS	TMBA	UPDATED	00068SAC-02

A-SIZE CUSTOMER