



FOR USE WITH PANDUIT  
**FIBER-DUCT &  
FIBERRUNNER**  
ROUTING SYSTEMS

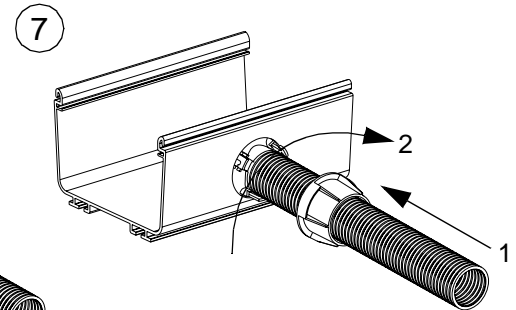
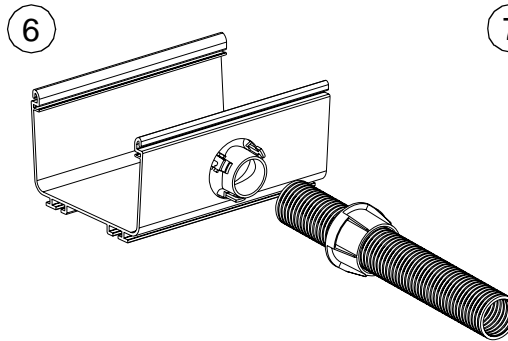
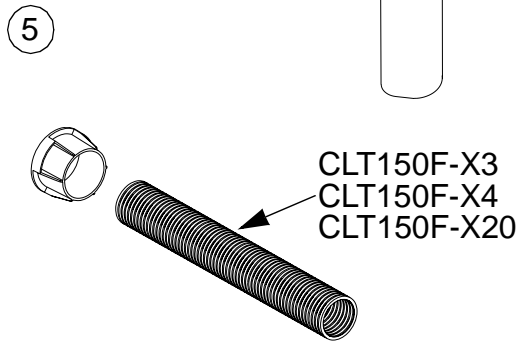
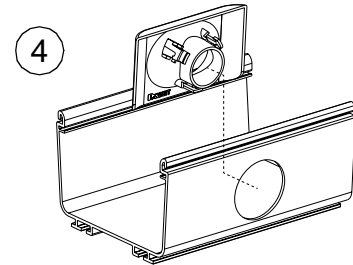
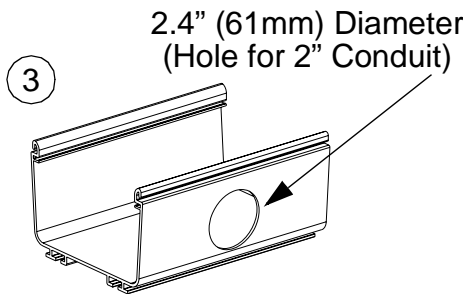
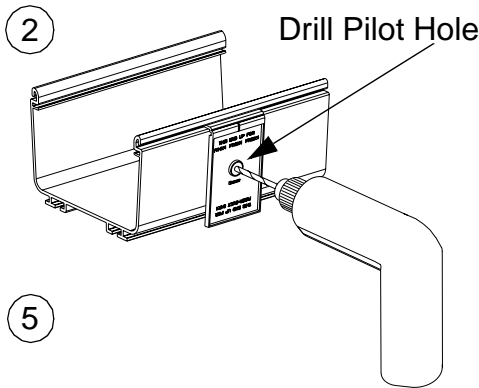
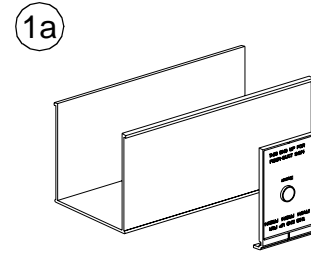
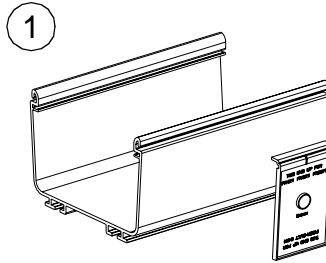
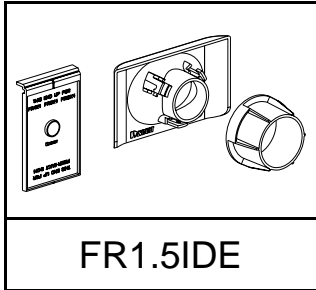
1 PORT SPILL-OUT TO  
CORRUGATED TUBING SIDE EXIT

anduit Part Number: FR1.5IDE

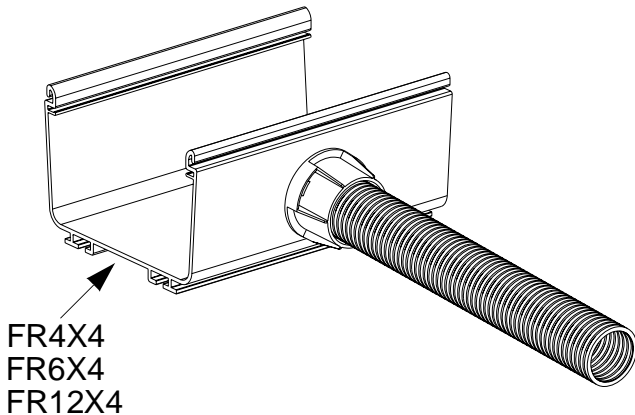
**INSTALLATION INSTRUCTIONS**

© Panduit Corp. 2002

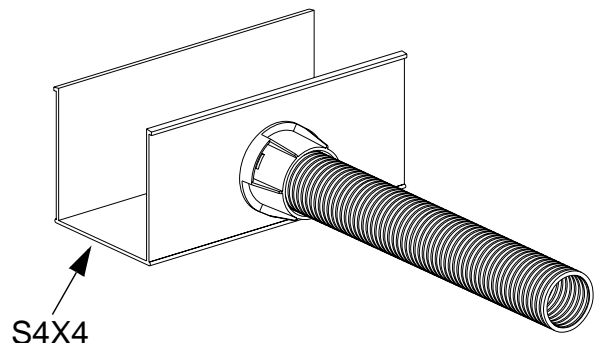
Printed in U.S.A.



**FIBERRUNNER APPLICATION**



**FIBER-DUCT APPLICATION**



Instruction Sheet RW172

**WORLDWIDE SUBSIDIARIES AND SALES OFFICES**

17301 Ridgeland Avenue  
Tinley Park, IL.60477-3091  
Web Site: [www.panduit.com/ncg](http://www.panduit.com/ncg)



RACEWAY SYSTEMS DIVISION

Fax: 866-449-1702  
Technical Support: 866-405-6656  
Email: [netconnsupport@panduit.com](mailto:netconnsupport@panduit.com)