



3-Sided Bend Radius Control Trumpets

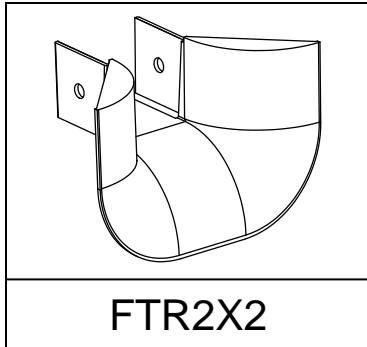
For Use With *PANDUIT FIBER-DUCT* and *FIBERRUNNER* Cable Routing Systems

Part numbers: FTR2X2, FTR4X4, FRTR4X4, FRTR6X4, FRTR12X4, FRTR24X4

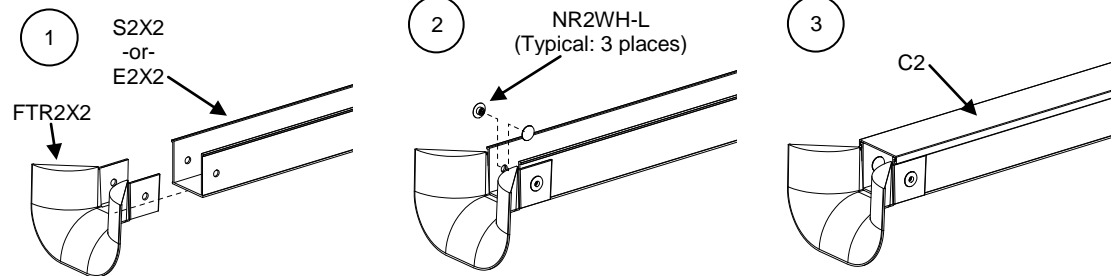
© Panduit Corp. 2012

INSTALLATION INSTRUCTIONS

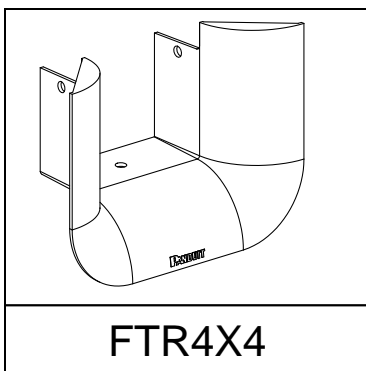
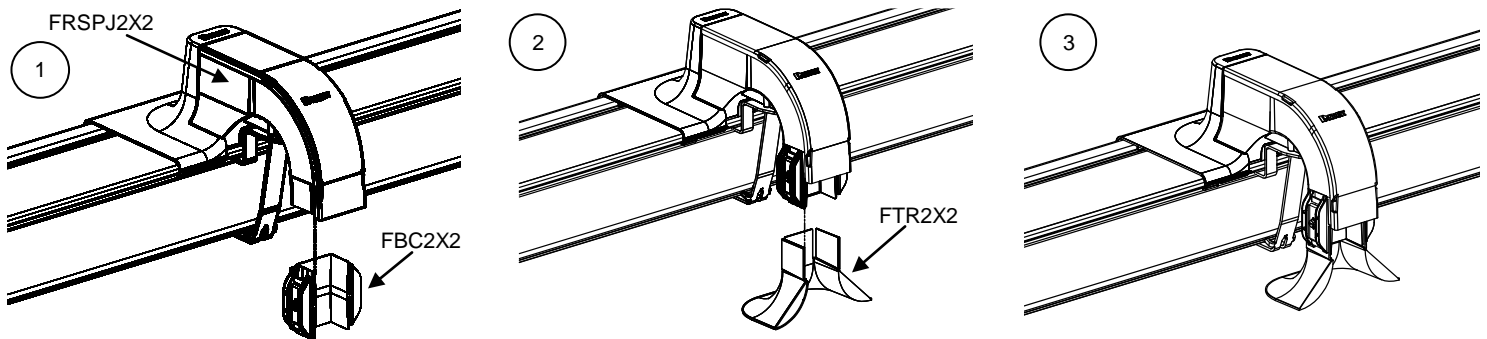
RW110D



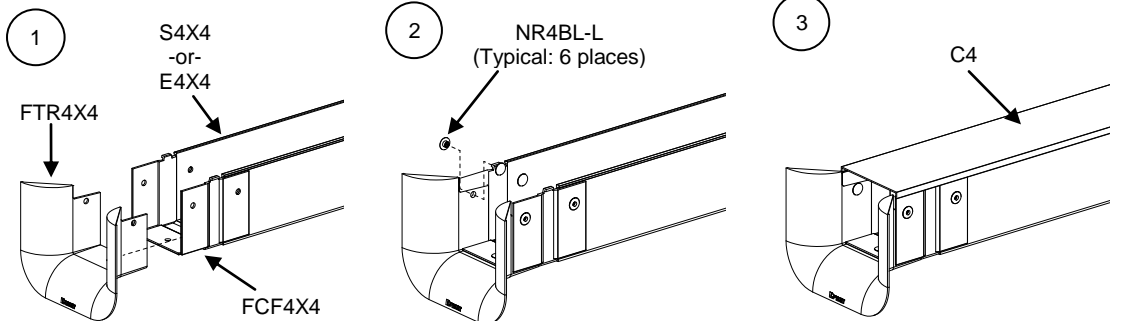
Typical Installation



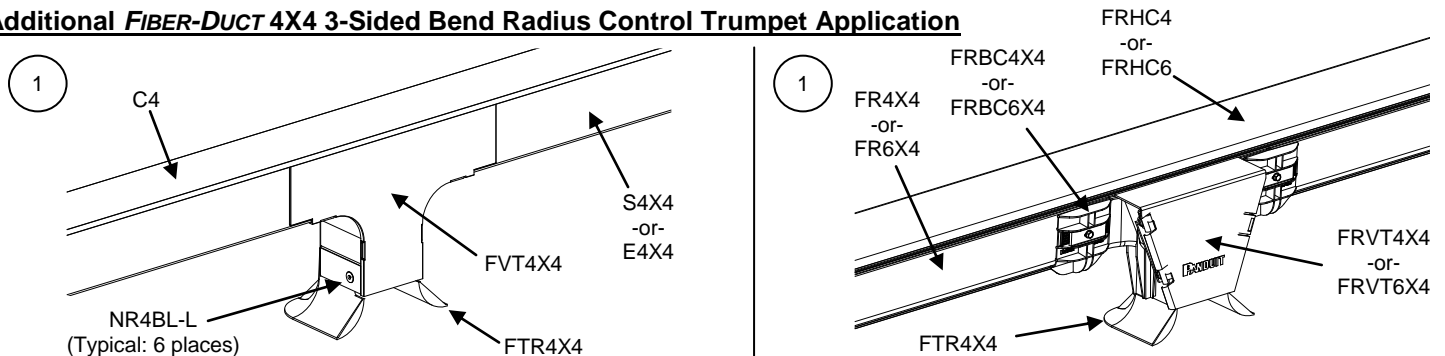
Additional *FIBER-DUCT* 2X2 3-Sided Bend Radius Control Trumpet Application



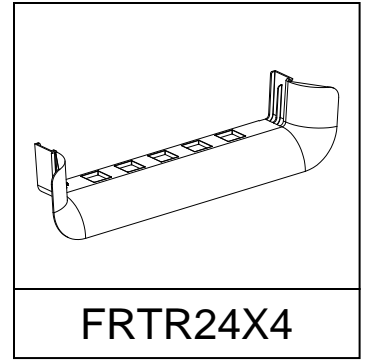
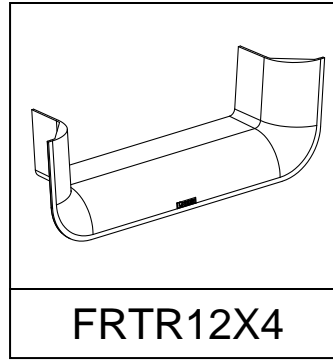
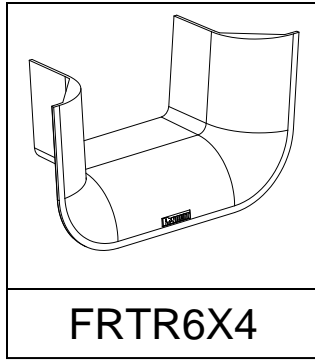
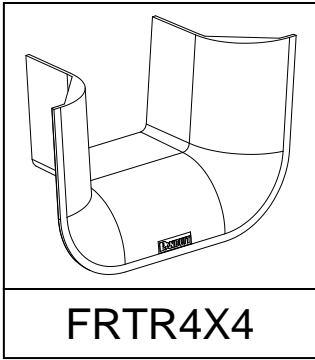
Typical Installation



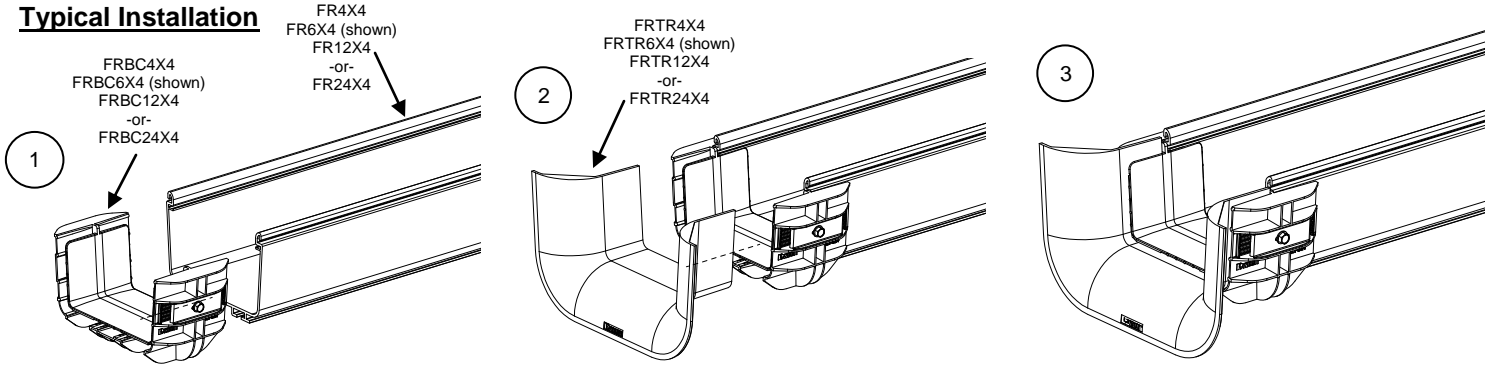
Additional *FIBER-DUCT* 4X4 3-Sided Bend Radius Control Trumpet Application



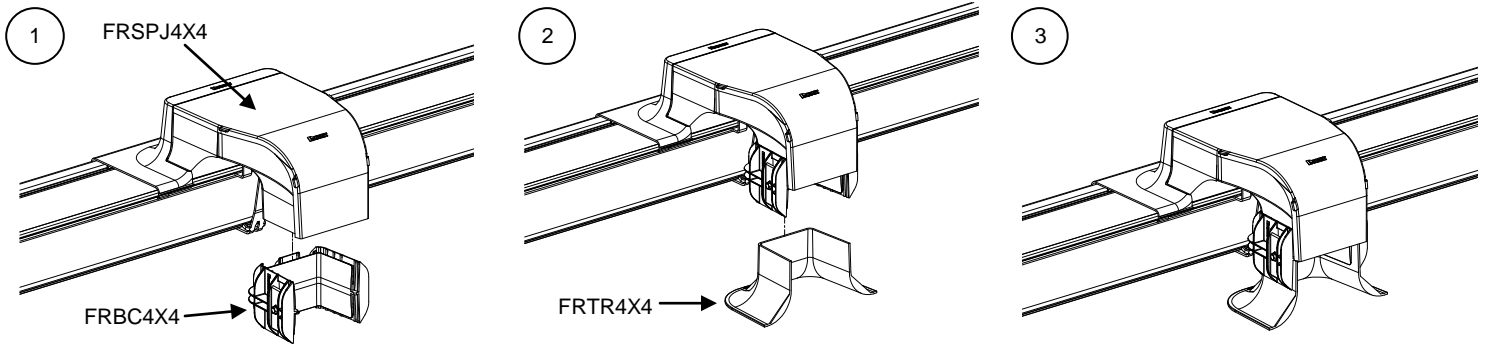
For Technical Support: www.panduit.com/resources/install_maintain.asp



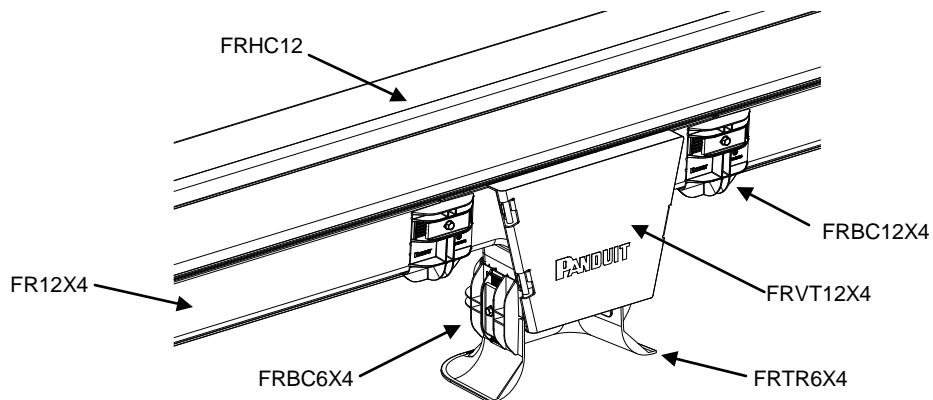
Typical Installation



Additional FIBER-DUCT 4X4 3-Sided Bend Radius Control Trumpet Application



Additional FIBER-DUCT 6X4 3-Sided Bend Radius Control Trumpet Application



<p>For Instructions in Local Languages and Technical Support:</p>		<p>E-mail: techsupport@panduit.com</p>
<p>www.panduit.com/resources/install_maintain.asp</p>	<p>www.panduit.com</p>	<p>Phone: 866-405-6654</p>