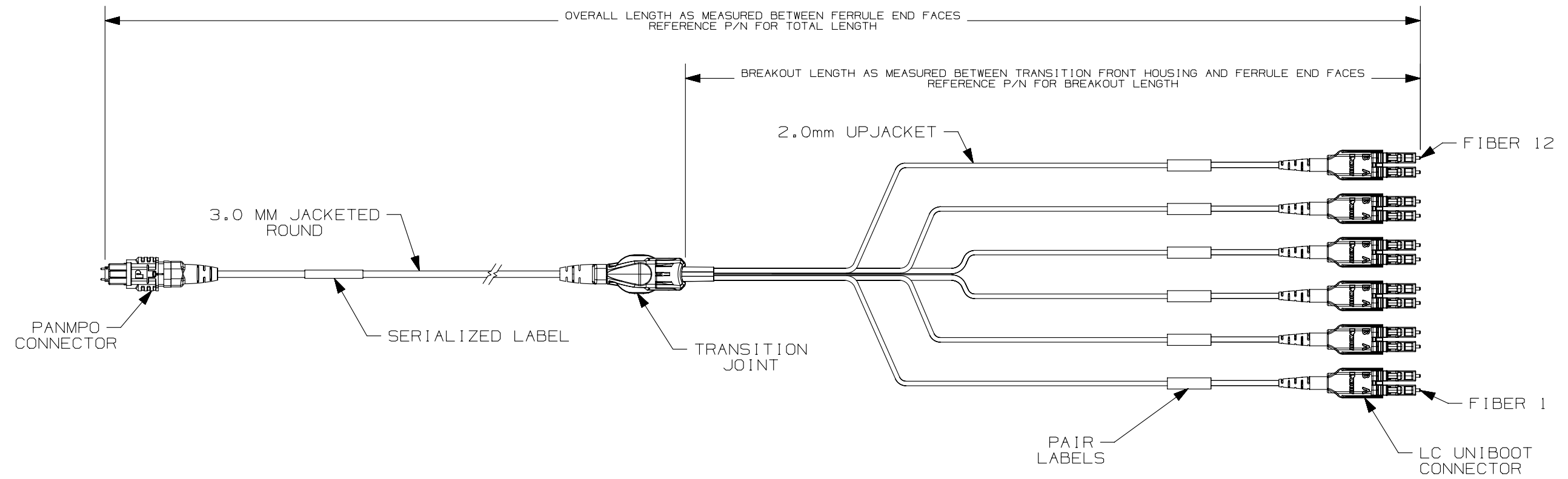
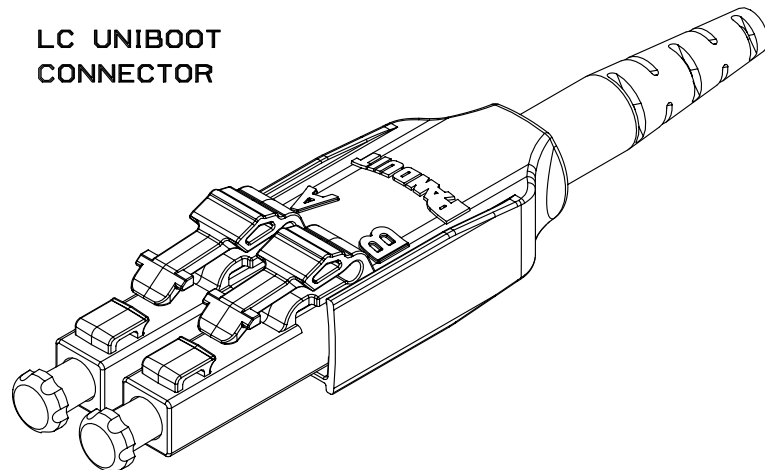


- NOTES:
- IDENTIFICATION:
PANMPO TO LC UNIBOOT HARNESS WITH 2mm UPJACKETED BREAKOUT ASSEMBLY.
 - CABLE:
A. REFERENCE PART NUMBER FOR CABLE/GLASS TYPE.
 - TECHNICAL SPECIFICATIONS:
A. REFER TO PART NUMBER FOR OVERALL LENGTH (WHERE M=METERS AND F=FEET).
 - ALL MATERIALS AND COMPONENTS USED MEET THE MATERIAL RESTRICTIONS OF RoHS (EUROPEAN DIRECTIVE 2011/65/EC ON THE RESTRICTION OF HAZARDOUS SUBSTANCES) AS PROPOSED BY THE RoHS TECHNICAL ADAPTATION COMMITTEE.
 - DIMENSIONS IN BRACKETS ARE METRIC (mm).



LC UNIBOOT CONNECTOR



REV	DATE	BY	CHK	APR	DESCRIPTION	ECN
00	09-26-13	SAT	JGD		RELEASED TO PRODUCTION	M02680FT-DC

TITLE PANMPO TO LC UNIBOOT HARNESS (HYDRA) CABLE ASSEMBLY		PANDUIT
CUSTOMER DRAWING		
ITEM REVISION NAME M02680FT/00	MATERIAL:	
DATASET FILE NAME M02680FT_DC/00A	DRAWING NUMBER: M02680FT-DC	
UNLESS OTHERWISE SPECIFIED, DIMENSIONAL TOLERANCES ARE: IN [mm]		
.X ± .03 [0.8]	.XXX ± .010 [0.3]	ANGLES ±
THIRD ANGLE PROJECTION		SCALE NONE
DRAWN BY SAT	DATE 09-26-13	CHK JGD
SHT 1 OF 2		SIZE B

2



1

THIS COPY IS PROVIDED ON A RESTRICTED BASIS AND IS NOT TO BE USED IN ANY WAY DETRIMENTAL TO THE INTERESTS OF PANDUIT CORP.

1	2	3	4	5	6	7	8	9	10	11	12	13	14	15
F			R		8	N	U		S	N				

FIBER TYPE

X - OM3
Z - OM4

FLAME COUNT

8 - 8 FIBERS
T - 12 FIBERS

FLAME RATING

L - LSZH
P - PLENUM OFNP

VARIANT END B

A - 18" EQUAL BREAKOUT D - 1 METER EQUAL BREAKOUT
B - 30" EQUAL BREAKOUT S - 24" EQUAL BREAKOUT
C - 36" EQUAL BREAKOUT K - 2 METERS EQUAL BREAKOUT

UNIT OF MEASURE

M - METERS
F - FEET

LENGTH

B

B



A

A

							TITLE PANMPO TO LC UNIBOOT HARNESS (HYDRA) CABLE ASSEMBLY CUSTOMER DRAWING					
							ITEM REVISION NAME M02680FT/00					
							DATASET FILE NAME M02680FT_DC/00A					
							UNLESS OTHERWISE SPECIFIED, DIMENSIONAL TOLERANCES ARE: IN [mm]			MATERIAL:		
							.X ± .003 [0.08] .XXX ± .010 [0.3] .XX ± .03 [0.8] ANGLES ±			DRAWING NUMBER:		
							THIRD ANGLE PROJECTION			M02680FT - DC		
00	09-26-13	SAT	JGD		RELEASED TO PRODUCTION	M02680FT-DC	DRAWN BY SAT	DATE 09-26-13	CHK JGD	SCALE NONE	SHT 2 OF 2	SIZE B
REV	DATE	BY	CHK	APR	DESCRIPTION	ECN						

2



1