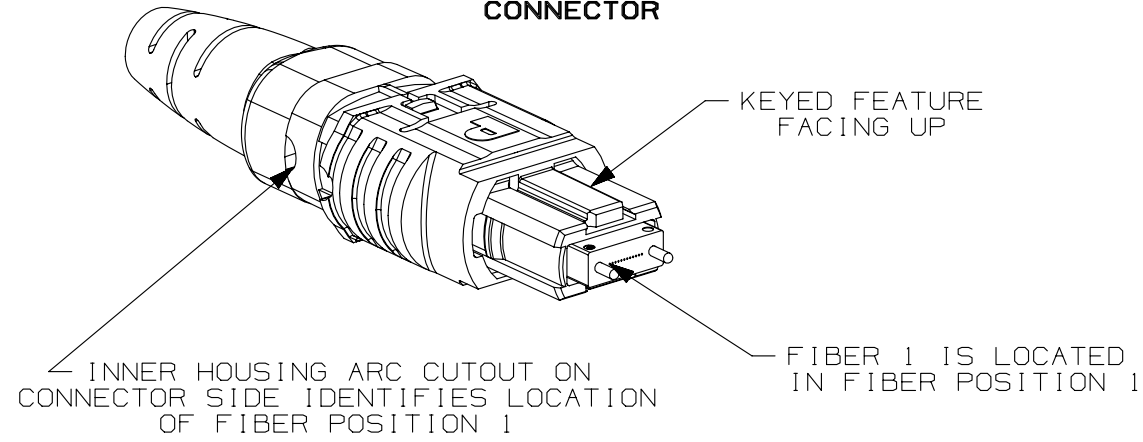
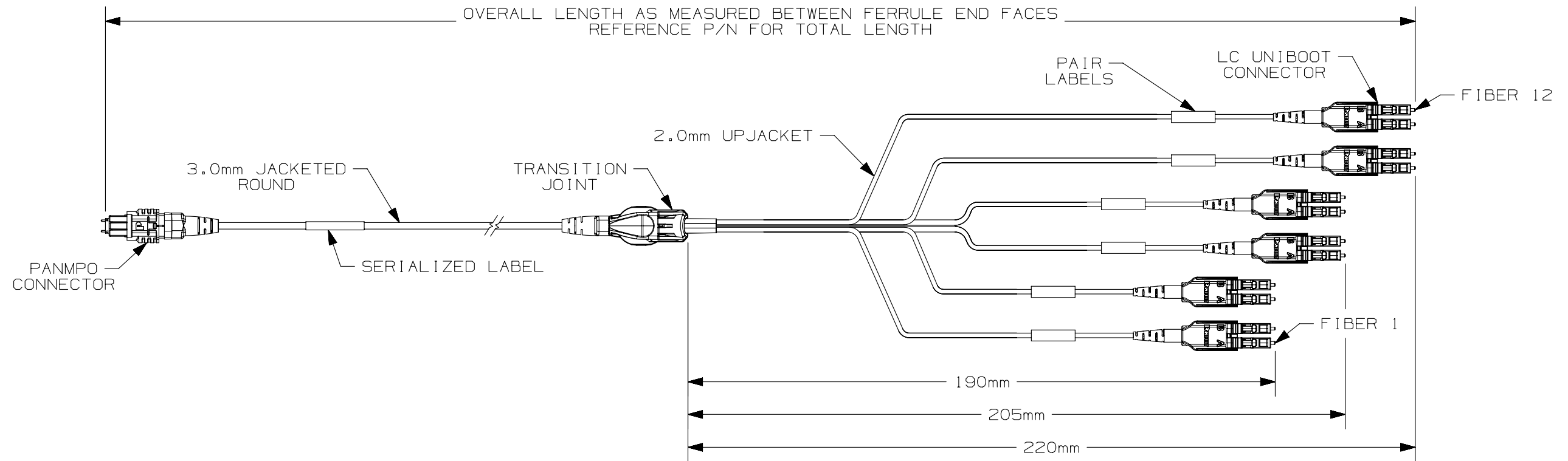


PANMPO CONNECTOR

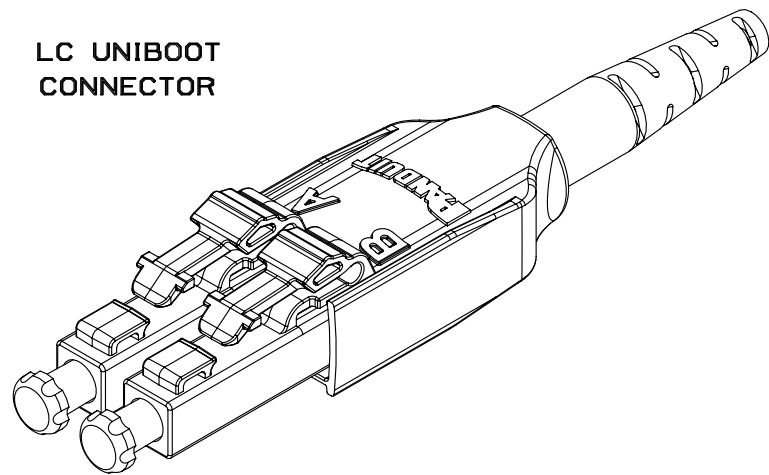


- NOTES:
- IDENTIFICATION:
PANMPO TO LC UNIBOOT HARNESS WITH 2mm UPJACKETED BREAKOUT ASSEMBLY.
 - CABLE:
A. REFERENCE PART NUMBER FOR CABLE/GLASS TYPE.
 - TECHNICAL SPECIFICATIONS:
A. REFER TO PART NUMBER FOR OVERALL LENGTH (WHERE M=METERS AND F=FEET).
 - ALL MATERIALS AND COMPONENTS USED MEET THE MATERIAL RESTRICTIONS OF RoHS (EUROPEAN DIRECTIVE 2011/65/EC ON THE RESTRICTION OF HAZARDOUS SUBSTANCES) AS PROPOSED BY THE RoHS TECHNICAL ADAPTATION COMMITTEE.
 - DIMENSIONS IN BRACKETS ARE METRIC (mm).



PAIR 1 AND 2 SHORTEST CONFIGURATION SHOWN
(FIBERS 1 AND 12 ARE REVERSED WHEN PAIRS 1 AND 2 ARE LONGEST)

LC UNIBOOT CONNECTOR



						TITLE		PANMPO TO LC UNIBOOT DUAL PAIR STAGGERED HARNESS (HYDRA) CABLE ASSEMBLY			
						ITEM REVISION NAME		M02680FV/00			
						DATASET FILE NAME		M02680FV_DC/00A			
						UNLESS OTHERWISE SPECIFIED, DIMENSIONAL TOLERANCES ARE: IN [mm]					
						.X ± .XXX ± .010 [0.3]					
						.XX ± .03 [0.8]		DRAWING NUMBER:			
						ANGLES ±		M02680FV-DC			
						THIRD ANGLE PROJECTION		SHT 1 OF 2			
00	09-26-13	SAT	JGD		RELEASED TO PRODUCTION	M02680FV-DC					
REV	DATE	BY	CHK	APR	DESCRIPTION	ECN	DRAWN BY	DATE	CHK	SCALE	SIZE
							SAT	09-26-13	JGD	NONE	B

1	2	3	4	5	6	7	8	9	10	11	12	13	14	15
F			R		8	N	U		S	N				

FIBER TYPE

- X - OM3
- Z - OM4

FLAME COUNT

- 8 - 8 FIBERS
- T - 12 FIBERS

FLAME RATING

- L - LSZH
- P - PLENUM OFNP

VARIANT END B

- H - STAGGERED PAIR 1 AND 2 LONGEST BREAKOUT
- J - STAGGERED PAIR 1 AND 2 SHORTEST BREAKOUT

UNIT OF MEASURE

- M - METERS
- F - FEET

LENGTH

									TITLE PANMPO TO LC UNIBOOT DUAL PAIR STAGGERED HARNESS (HYDRA) CABLE ASSEMBLY CUSTOMER DRAWING				
									ITEM REVISION NAME M02680FV/00				
									DATASET FILE NAME M02680FV_DC/00A				
									PANDUIT MATERIAL: UNLESS OTHERWISE SPECIFIED, DIMENSIONAL TOLERANCES ARE: IN [mm] .X ± .XXX ± .010 [0.3] .XX ± .03 [0.8] ANGLES ±				
00	09-26-13	SAT	JGD		RELEASED TO PRODUCTION		M02680FV-DC	DRAWING NUMBER: M02680FV-DC					
REV	DATE	BY	CHK	APR	DESCRIPTION	ECN		DRAWN BY SAT	DATE 09-26-13	CHK JGD	SCALE NONE	SHT 2 OF 2	SIZE B

B

B

A

A