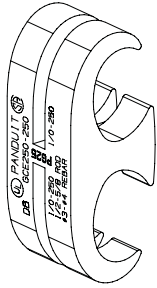
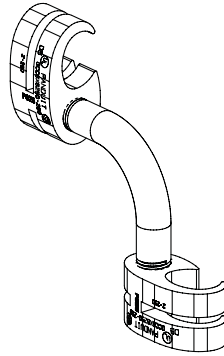


INSTALLATION INSTRUCTIONS T-PMPI-289-PC

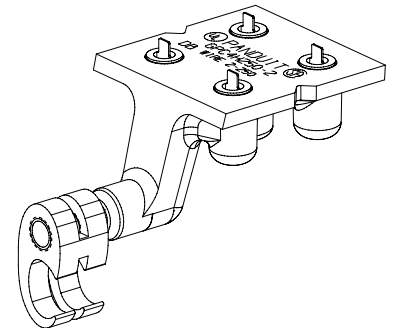
©2008 PANDUIT Corp.



GCE

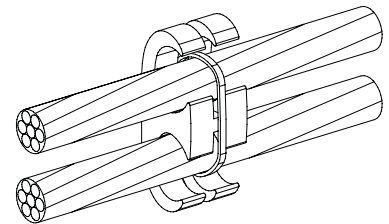
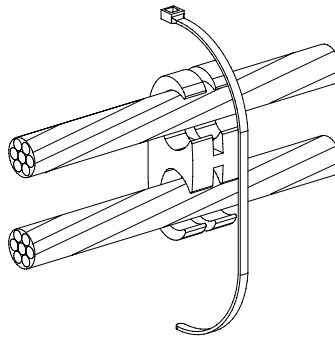
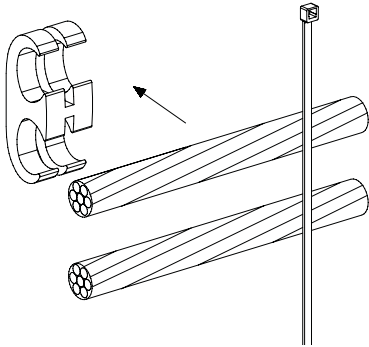


GCC6X6

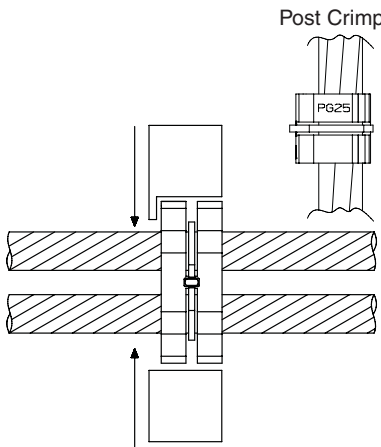


GPC

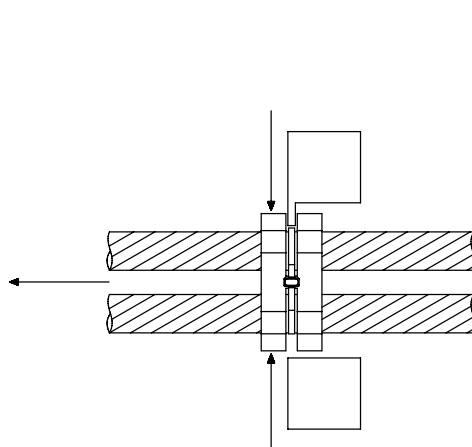
Views Using Cable Ties



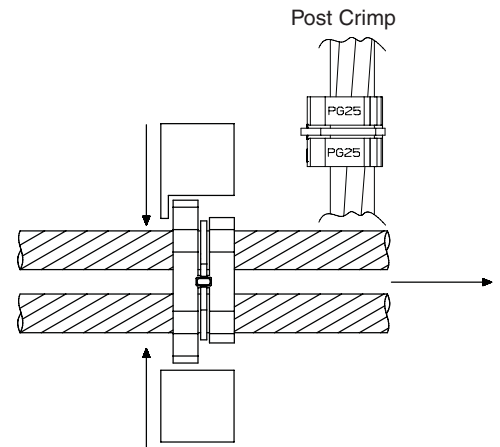
Crimping Views



Crimp (1)*



Crimp (2)



Crimp (3)

one crimp exceeds:



Meets All
IEEE
837™ – 2002
Requirements

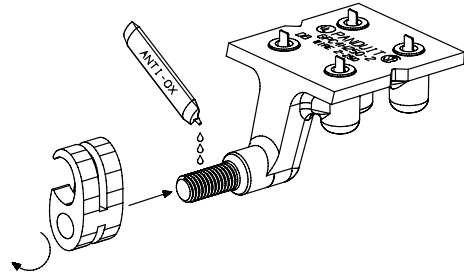
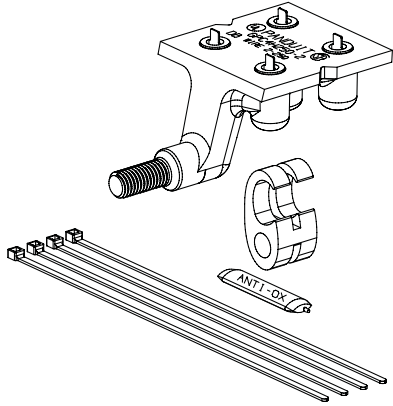
optional crimp exceeds:



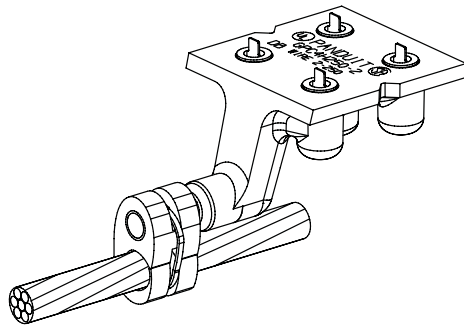
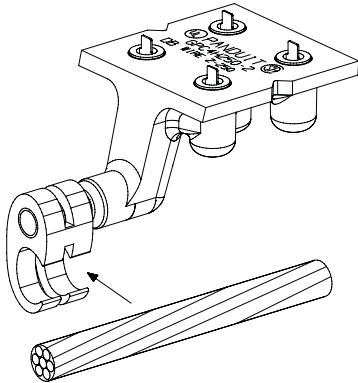
Meets All
IEEE
837™ – 2002
Requirements

*One crimp IEEE Std. 837™ – 2002 only available for part numbers GCE1/0-1/0 and GCE6X61/0-1/0.

Ground Plate Assembly

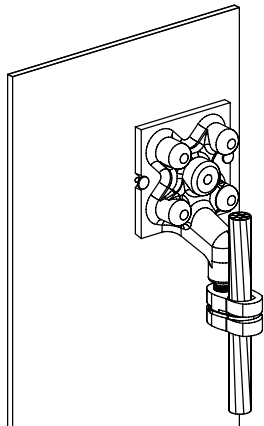


Connector to be assembled so stud is flush or protruding from the end of the connector prior to crimping as shown.

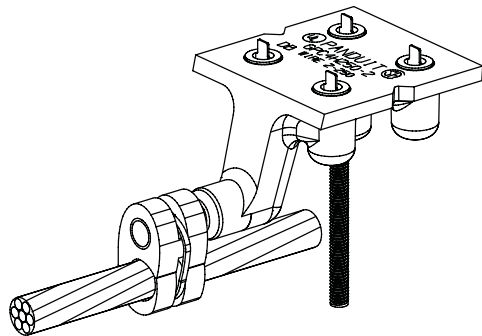


Crimp Die: CD-930G-250 (PG25/Black)
Crimp Tools: CT-2931, CT-2931E, CT-930, CT-930CH, CT-2930, CT-940CH*, CT-2940*
*Requires die adapter CD-940-DA

Ground Plate Views



Wall install



Floor install



Meets All
IEEE
837™ – 2002
Requirements

Note: Factory installed anti-oxidant may discolor over time, but product performance is not diminished. Remove all non-conductive material from mating surfaces prior to installation.

For Instructions in Local Languages
and Technical Support:

http://www.panduit.com/resources/install_maintain.asp



www.panduit.com

E-mail:
cs@panduit.com

Fax:
(815)485-5839