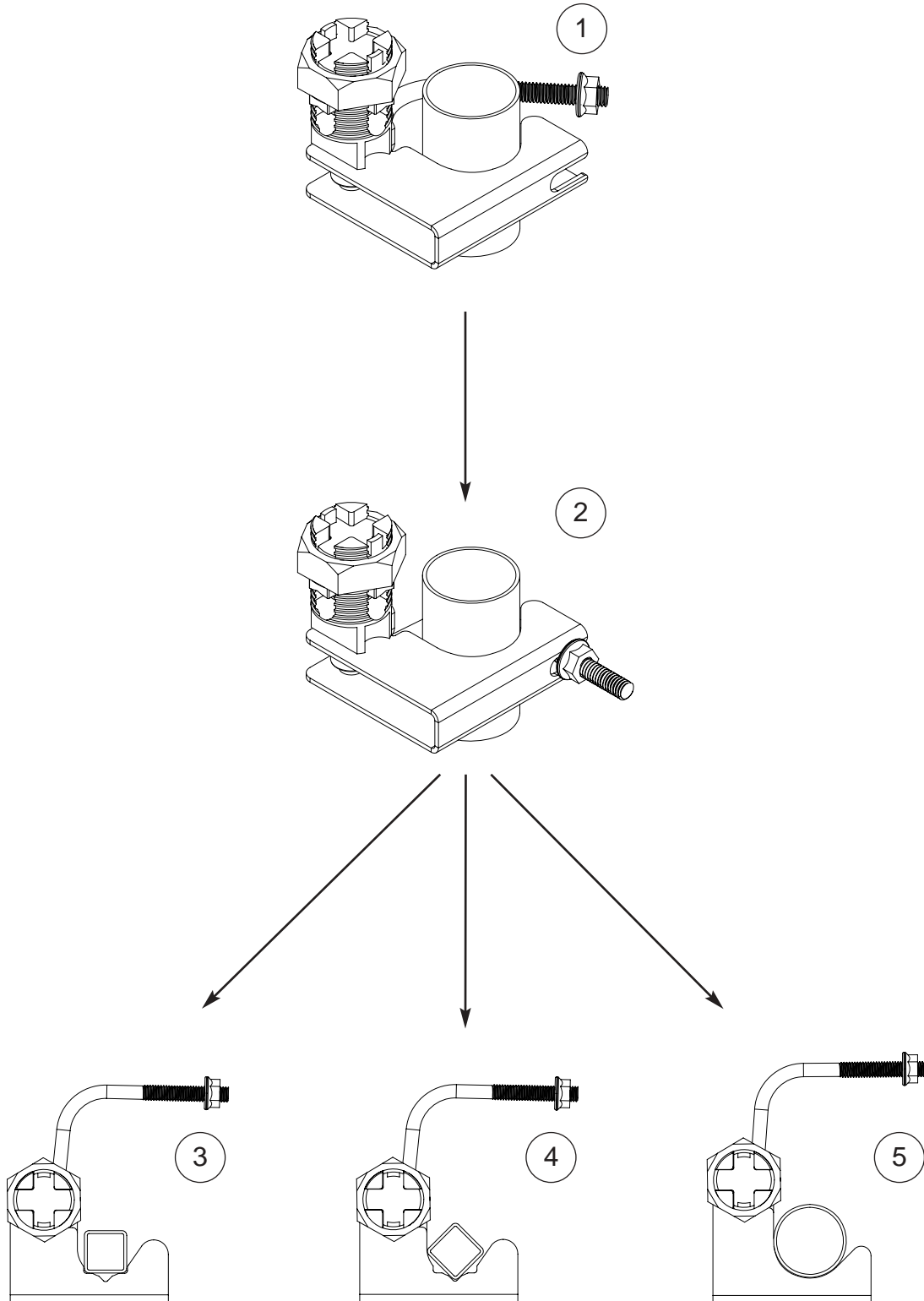




STRUCTUREDGROUND Access Floor Grounding Clamp
Part Numbers: GPQC07-1/0, GPQC10-1/0, GPQC12-1/0,
GPQC15-1/0, GPQC17-1/0 and GPQC20-1/0

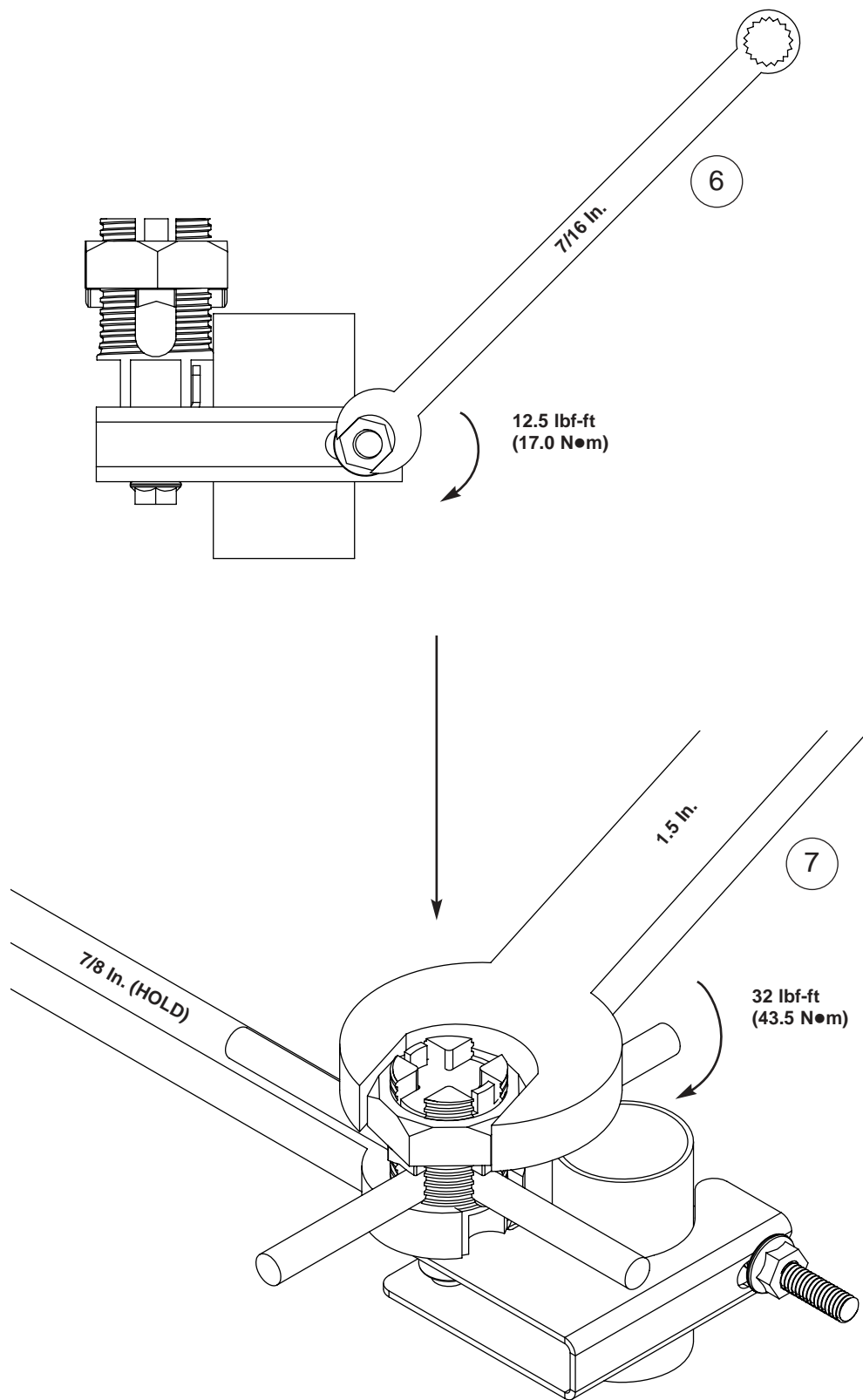
INSTALLATION INSTRUCTIONS T-PMPI-287-PC

© PANDUIT Corp. 2008



For Technical Support: www.panduit.com/resources/install_maintain.asp

INSTALLATION INSTRUCTIONS T-PMPI-287-PC



The pedestal bonded to the clamp is not intended to serve as a grounding conductor.