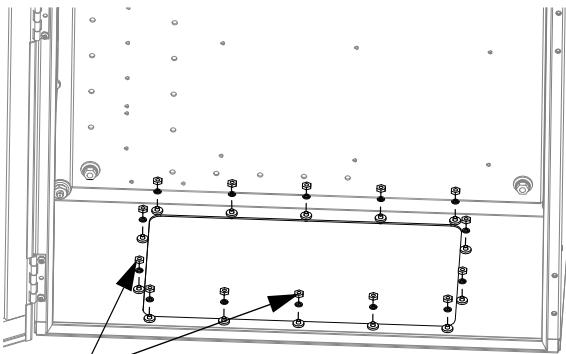


IAZBHGP26

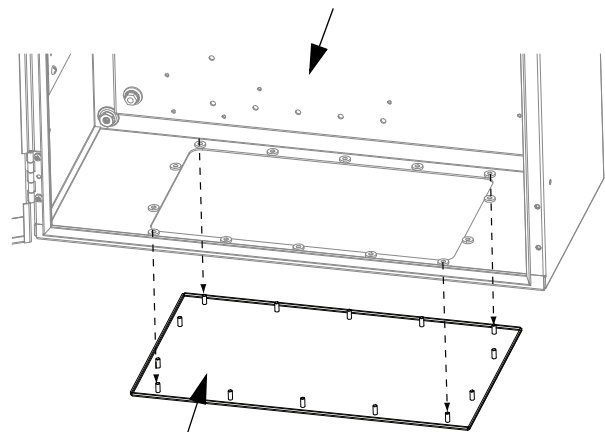
Refer to the Fiber Bulkhead Connectors Instruction Sheet (PN345**-included with assembly) or the Copper Bulkhead Connectors Instruction Sheet (PN367**-included with assembly) for bulkhead connector applications.

- 1** To remove gland plate, unfasten the (14) nuts and (14) washers attached to the threaded studs of the gland plate and remove plate from the enclosure.

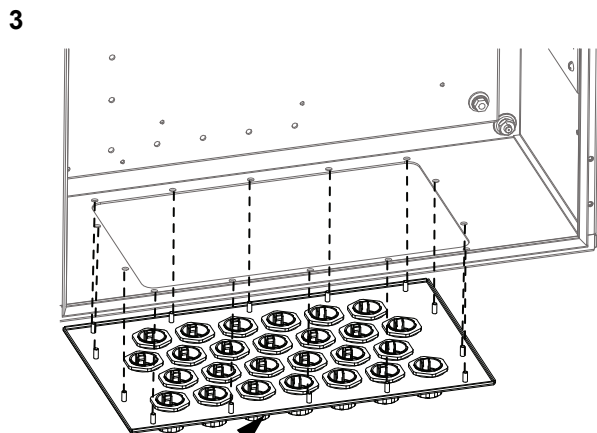


Nuts and washers

- 2**

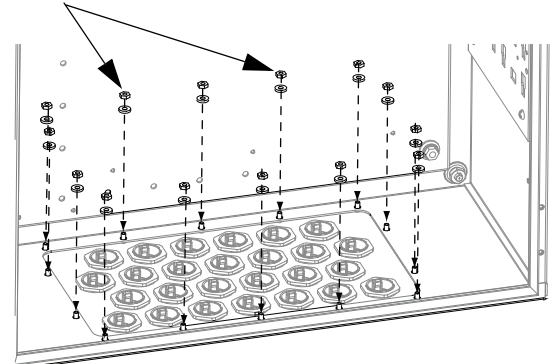


Blank gland plate



Bulkhead gland plate

- 4**



When reinstalling the gland plate, ensure the nuts are tightened until the gland plate flanges make contact with the enclosure bottom surface.