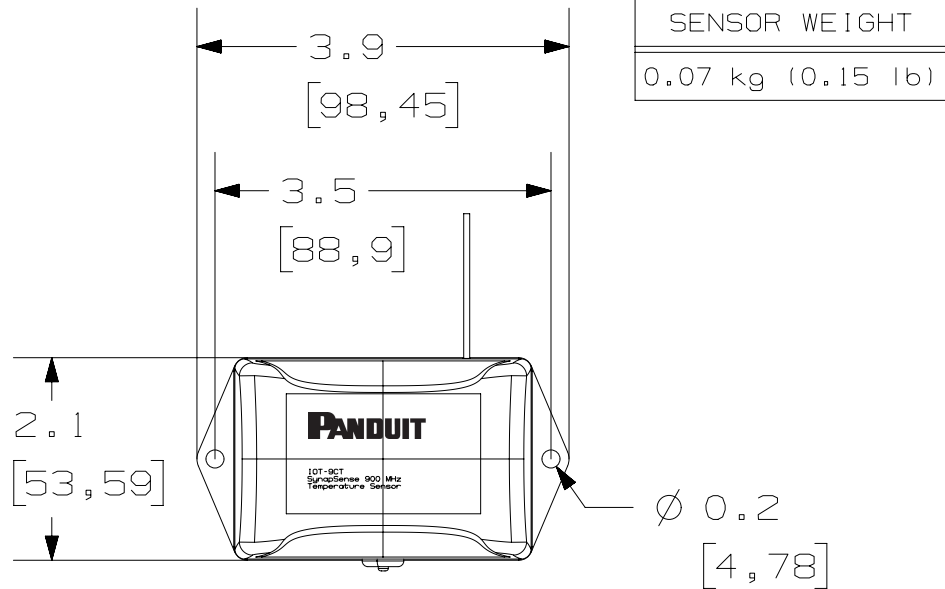


THIS COPY IS PROVIDED ON A RESTRICTED BASIS AND IS NOT TO BE USED IN ANY WAY DETRIMENTAL TO THE INTERESTS OF PANDUIT CORP.

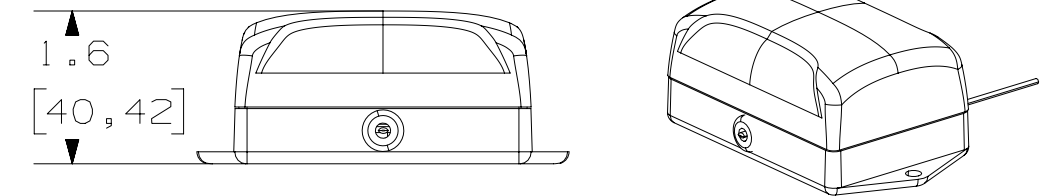
2

1



NOTES:

1. IDENTIFICATION: TEMPERATURE SENSOR
- | PART NUMBER | FREQUENCY | COLOR |
|-------------|-----------|-------|
| 10T-9CT     | 900 MHZ   | BLACK |
| 10T-9CT-2   | 920 MHZ   | BLACK |
| 10T-9CT-8   | 868 MHZ   | BLACK |
| 10T-9CT-4   | 433 MHZ   | BLACK |
2. ACCESSORIES:
    - (1) QUICK-START GUIDE
    - (2) 1.5V AA ALKALINE BATTERIES
    - (2) MOUNTING SCREWS
  3. PRIMARY DIMENSIONS ARE IN INCHES. SECONDARY DIMENSIONS ARE mm [MILLIMETERS].
  4. RoHS COMPLIANT.
  5. OPERATING TEMPERATURE RANGE WITH:
    - ALKALINE BATTERIES: -18°C TO 55°C ( 0°F TO 130°F)
    - LITHIUM BATTERIES: -40°C TO 85°C (-40°F TO 185°F)
  6. TEMPERATURE ACCURACY AT 25°C: ±1°C (±1.8°F)
  7. CALIBRATED TEMPERATURE ACCURACY: ±0.25°C (±0.45°F)
  8. BATTERY LIFE: 4-8 YEARS (USING 1 HOUR HEART BEAT SETTING)
  9. WIRELESS RANGE: 250-300 FT. NON-LINE-OF-SIGHT DEPENDING ON ENVIRONMENT.
  10. FCC AND INDUSTRY CANADA CERTIFIED.
  11. VISIT OUR ON-LINE CATALOG AT [WWW.PANDUIT.COM/SYNAPSESENSE](http://WWW.PANDUIT.COM/SYNAPSESENSE) FOR A CURRENT LIST OF PRODUCTS APPLICABLE FOR USE WITH THIS PART.
  12. 900 MHZ LABEL SHOWN IN TOP VIEW.



REV	DATE	BY	CHK	APR	DESCRIPTION	ECN
03A	6-29-17	MRWA	JCSE	DTM	F. ADDED NEW PART NUMBERS FOR 920,868,433 RADIOS D. ADDED NOTE 12	00090FBF_DC
02A	5-7-17	MRWA	MBVE	YMA	B. REMOVED SIDE VIEW C. CHANGED IDENTIFICATION & TITLE A. UPDATED BATTERY TO INCLUDE ALKALINE	00090FBF_DC
01A	2-6-17	MRWA	MBVE	YMA	RELEASED TO PRODUCTION	00090FBF_DC

TITLE						SYNAPSENSE TEMPERATURE SENSOR					
						CUSTOMER DRAWING					
ITEM REVISION NAME						00090FBF/03					
DATASET FILE NAME						00090FBF_DC/03A					
UNLESS OTHERWISE SPECIFIED, DIMENSIONAL TOLERANCES ARE: IN [mm]											
.x ± .1 [ 2.54 ] .xxx ± .005 [ .127 ]											
.xx ± .01 [ .25 ] ANGLES ± 5 °						MATERIAL: N/A					
						DRAWING NUMBER: 00090FBF_DC					
DRAWN BY	DATE	CHK	SCALE			SHOWN	SIZE				
MRWA	2-6-17	MBVE	1:2			SHT 1 OF 1	A				

2

1

D10100DA/20