

THIS COPY IS PROVIDED ON A RESTRICTED BASIS AND IS NOT TO BE USED IN ANY WAY DETRIMENTAL TO THE INTERESTS OF PANDUIT CORP.

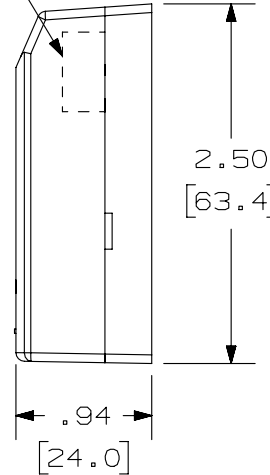
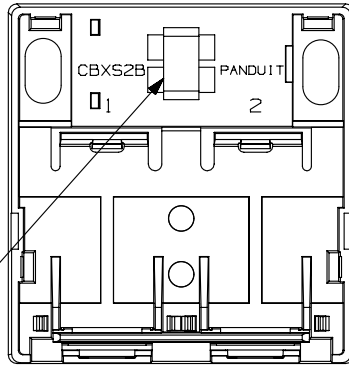
COVER REMOVED FOR CLARITY

BREAKOUT AREA
(3 PLACES)

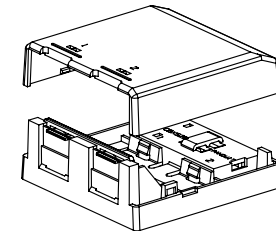
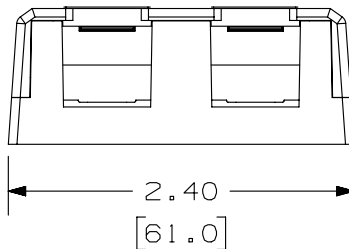
PANDUIT P/N	WEIGHT
JOS25800Y	.75 LB/10 PCS
JOS25800BL	(340.2 g/10 PCS)

NOTES:

- SEE CURRENT CATALOG FOR ADDITIONAL PART NUMBER SUFFIXES TO INDICATE COLOR AND OR PACKAGE QUANTITY.
- SEE CATALOG FOR A COMPLETE LIST OF PARTS APPLICABLE FOR USE WITH THIS PART.
- DIMENSIONS IN [] ARE IN METRIC.
- BREAKOUTS DESIGNED TO ACCEPT LD3/LDP3 AND LD5/LDP5 RACEWAY.
- BOX INCLUDES:
 - 1- BOX BASE
 - 1- BOX COVER
 - 2- PLT1M-M PAN-TY
 - 1- MAGNET (ATTACHED) (CSBM-X)
 - 2- MINI-COM MINI-JACK CATEGORY 5e MODULE
- BASE MATERIAL THICKNESS= .090 [2.29]



PAN-TY LOOPS FOR CABLE HOLD-DOWNS



PART NUMBER		JOS25800Y, JOS25800BL	
TITLE			
MINI-COM 2 POSITION SHUTTERED SURFACE MOUNT BOX KIT			
CUSTOMER DRAWING			
ITEM REVISION NAME		M02479BWA/00	
DATASET FILE NAME		M02479BWA_DC050/00C	
UNLESS OTHERWISE SPECIFIED, DIMENSIONAL TOLERANCES ARE: IN [mm]		MATERIAL:	
.x ± .xxx ± .010 [.3]		PANDUIT BOX: ABS DOORS: PC	
.xx ± .03 [.8] ANGLES ±			
DRAWING NUMBER:		02479-050	
DRAWN BY	DATE	CHK	SCALE
JSP	3-26-07	MJD	NONE
SHT 1 OF 1		A	

REV	DATE	BY	CHK	APR	DESCRIPTION	ECN
2	5/30/14	JSP	REFR	MMR	REVISED AND REDRAWN, PREVIOUS REVISIONS HAVE BEEN OMITTED.	02479-050

D10100DA/14