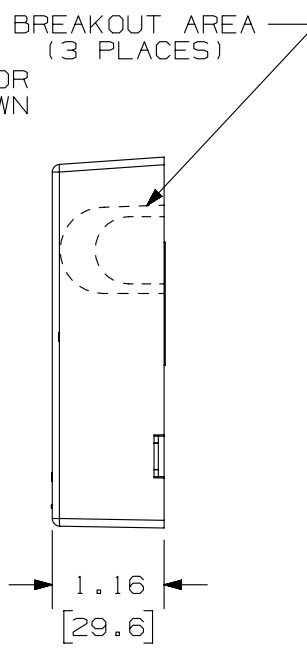
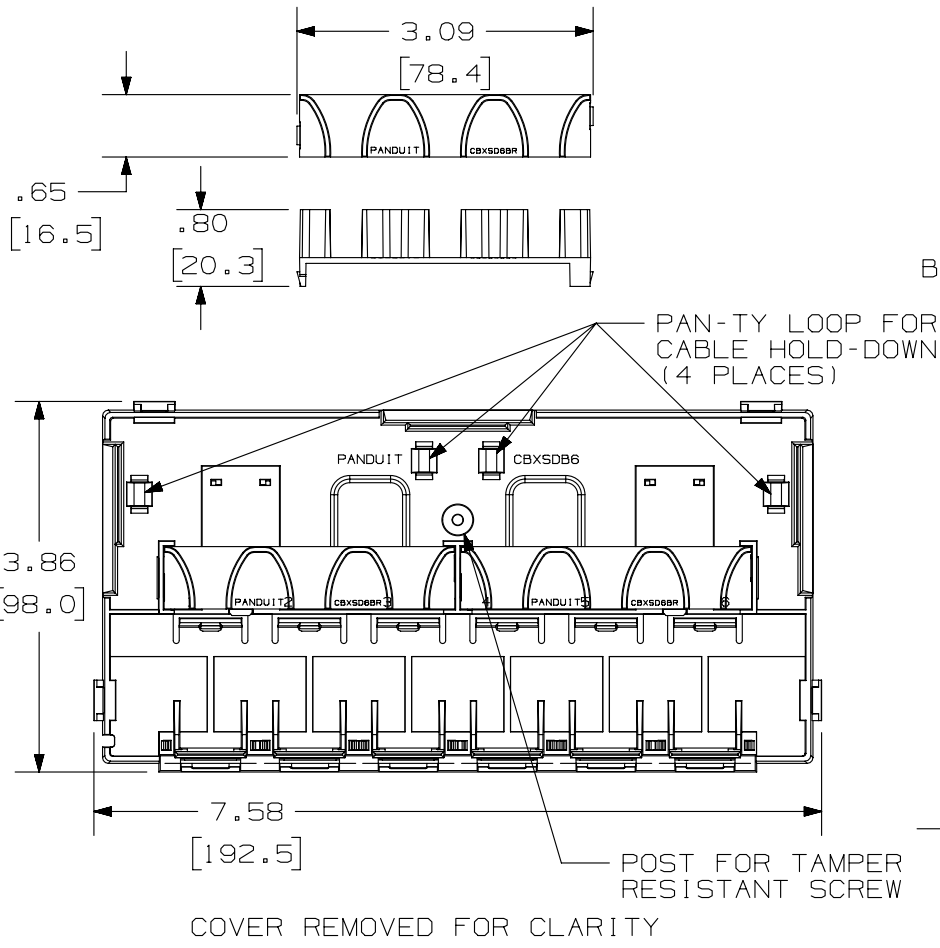
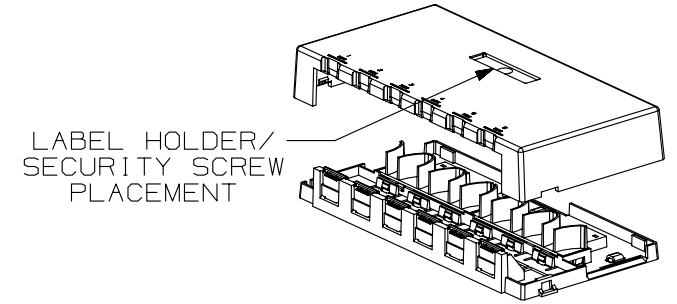


THIS COPY IS PROVIDED ON A RESTRICTED BASIS AND IS NOT TO BE USED IN ANY WAY DETRIMENTAL TO THE INTERESTS OF PANDUIT CORP.



PANDUIT P/N	WEIGHT
JOSD60000Y	4.00 LB/10 PCS
JOSD60000BL	(1813.0 g/10 PCS)

- NOTES:
- SEE CURRENT CATALOG FOR ADDITIONAL PART NUMBER SUFFIXES TO INDICATE COLOR AND OR PACKAGE QUANTITY.
 - SEE CATALOG FOR A COMPLETE LIST OF PARTS APPLICABLE FOR USE WITH THIS PART.
 - DIMENSIONS IN [] ARE IN METRIC.
 - BREAKOUTS DESIGNED TO ACCEPT LD3/LDP3 AND LD5/LDP5 RACEWAY.
 - BOX CONTAINS:
 - 1- BOX BASE
 - 1- BOX COVER
 - 2- PLT1.5I-M PAN-TY
 - 1- LABEL/ LABEL COVER
 - 1- MOUNTING SCREW (USED TO SECURE COVER TO BASE)
 - 2- MAGNET (ATTACHED TO BOX)
 - 2- BEND RADIUS CONTROL BRIDGE
 - BASE MATERIAL THICKNESS= .090 [2.29]



PART NUMBER		JOSD60000Y, JOSD60000BL	
TITLE		MINI-COM 6 POSITION SHUTTERED DEEP SURFACE MOUNT BOX	
CUSTOMER DRAWING			
ITEM REVISION NAME		M02479IL/00	
DATASET FILE NAME		M02479IL_DC222/00D	
UNLESS OTHERWISE SPECIFIED, DIMENSIONAL TOLERANCES ARE: IN [mm]		MATERIAL:	
.x ± .xxx ± .010 [.3]		BOX: ABS	
.xx ± .03 [.8]		DOORS: PC	
ANGLES ±		DRAWING NUMBER:	
THIRD ANGLE PROJECTION		02479-222	
DRAWN BY	DATE	CHK	SCALE
JSP	4-25-07	TCK	NONE
SHT 1 OF 1		SIZE	
A		A	

REV	DATE	BY	CHK	APR	DESCRIPTION	ECN
2	5/29/14	JSP	REFR	MMR	REVISED AND REDRAWN, PREVIOUS REVISIONS HAVE BEEN OMITTED.	02479-222

D10100DA/14

2

1

2

1