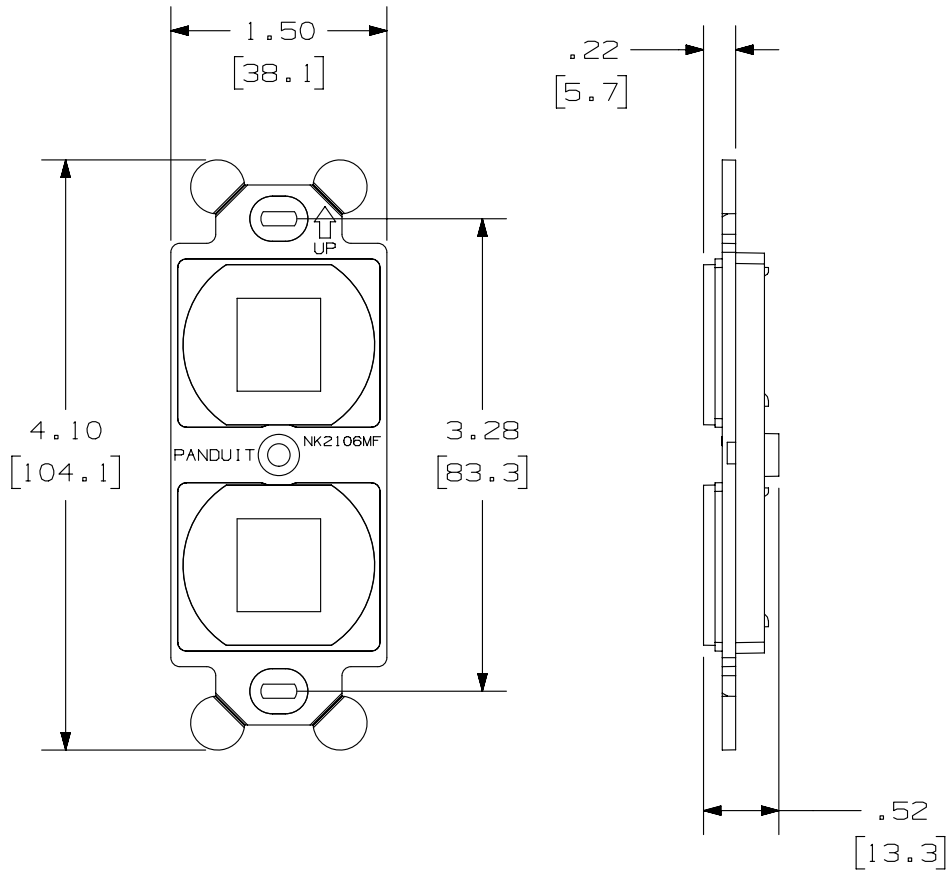


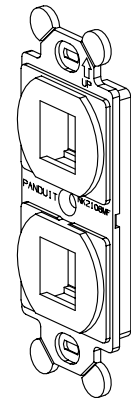
THIS COPY IS PROVIDED ON A RESTRICTED BASIS AND IS NOT TO BE USED IN ANY WAY DETRIMENTAL TO THE INTERESTS OF PANDUIT CORP.



PANDUIT P/N	WEIGHT
NK2106MF**	.28 LB/10 PCS (126.5 g/10 PCS)

NOTES:

- SEE CURRENT CATALOG FOR ADDITIONAL PART NUMBER SUFFIXES TO INDICATE COLOR AND OR PACKAGE QUANTITY.
- SEE CATALOG FOR COMPLETE LIST OF PARTS APPLICABLE FOR USE WITH THIS PART.
- DIMENSIONS IN PARENTHESES ARE IN METRIC.
- PART INCLUDES:
  - 1- 106 FRAME
  - 2- #6-32 X 1.00" MOUNTING SCREW



PART NUMBER		NK2106MF**	
TITLE		NETKEY 2 POSITION 106 FRAME	
		CUSTOMER DRAWING	
ITEM REVISION NAME		M02070BA/04	
DATASET FILE NAME		M02070BA_DC02/04B	
UNLESS OTHERWISE SPECIFIED, DIMENSIONAL TOLERANCES ARE: IN [mm]		MATERIAL:	
.x ± .xxx ± .010 [.3]		ABS	
.xx ± .03 [.8] ANGLES ±		DRAWING NUMBER:	
THIRD ANGLE PROJECTION		02070-02	
DRAWN BY	DATE	CHK	SCALE
JSP	9-13-04	EB	NONE
REV	DATE	BY	CHK
DESCRIPTION	ECN	SHT 1 OF 1	SIZE
			A

REV	DATE	BY	CHK	APR	DESCRIPTION	ECN
1	5-08-14	MDJR	REFR	MMR	A. UPDATED TITLE BLOCK.	02070-02
R	9-13-04	JSP	EB	EB	RELEASED TO PRODUCTION	02070-02

D101000DA/14