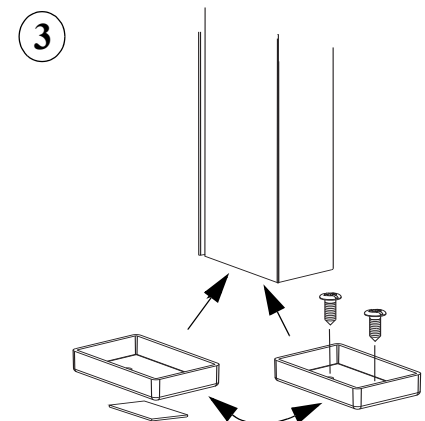
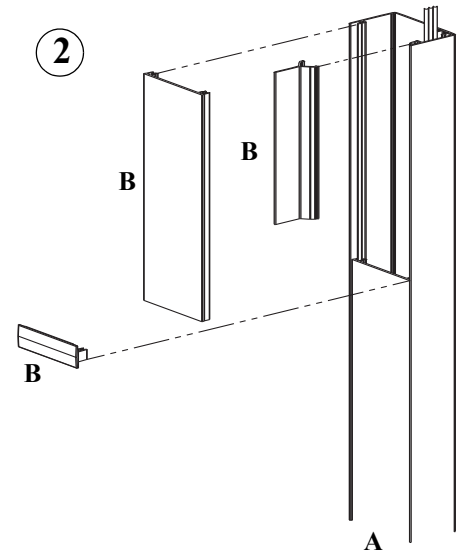
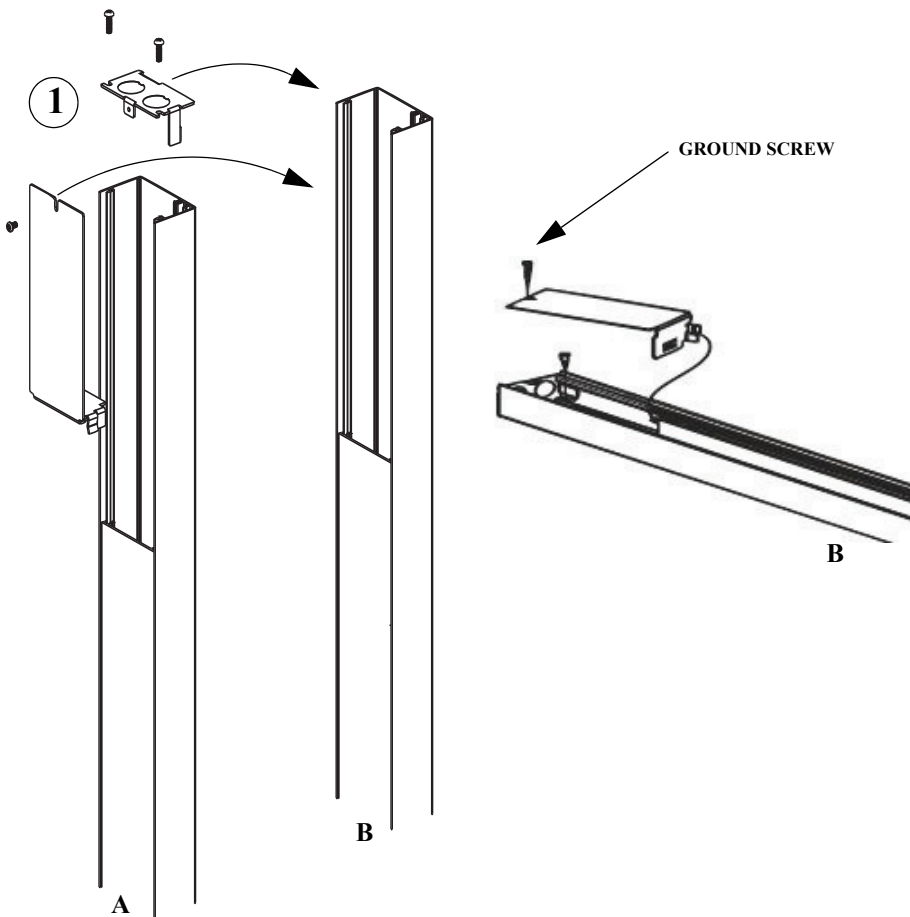
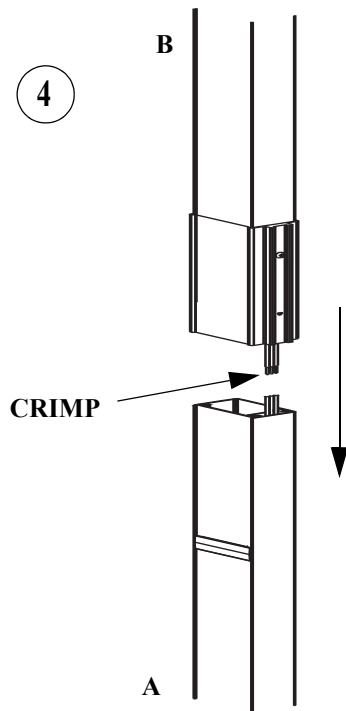


NOTE: IN THE ILLUSTRATIONS TO FOLLOW, “A” REPRESENTS THE POWER POLE ASSEMBLIES AND COMPONENTS (PART NUMBERS PCPA11R20**, PCPA13R20**) AND “B” REPRESENTS THE EXTENDER KITS WITH COMPONENTS (PART NUMBERS PCPAK22**, PCPAK16**)

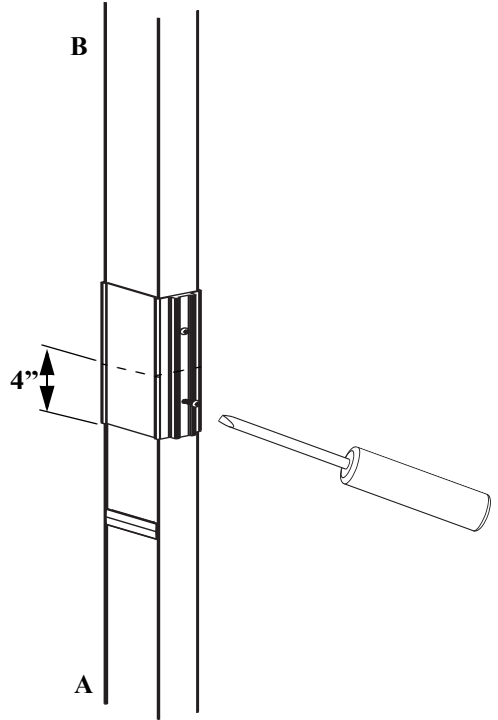
	A	B
16' POWER POLE	PCPA13R20**	PCPAK16**
22' POWER POLE	PCPA11R20**	PCPAK22**



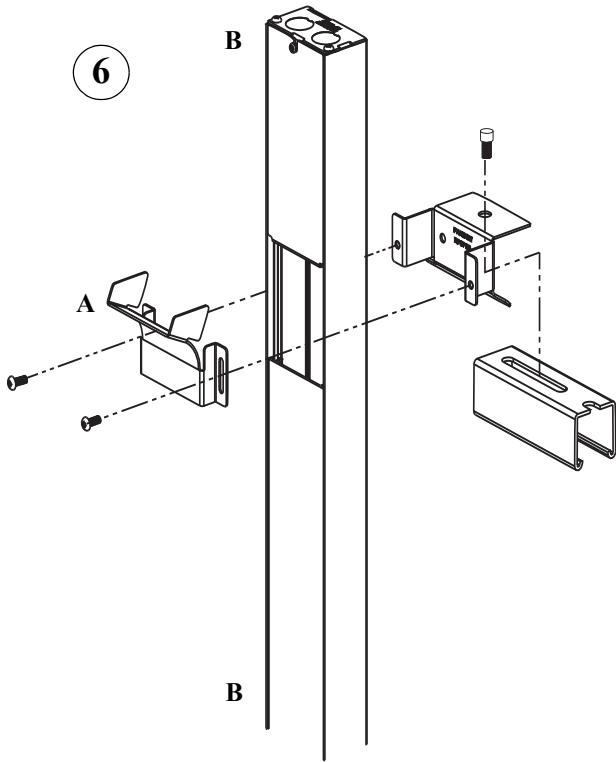
4



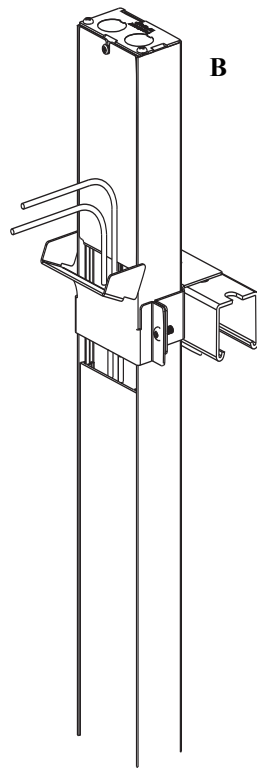
5



6



7



For Instructions in Local Languages
and Technical Support:
www.panduit.com/resources/install_maintain.asp

PANDUIT
www.panduit.com

E-mail:
techsupport@panduit.com
Phone:
866-405-6654