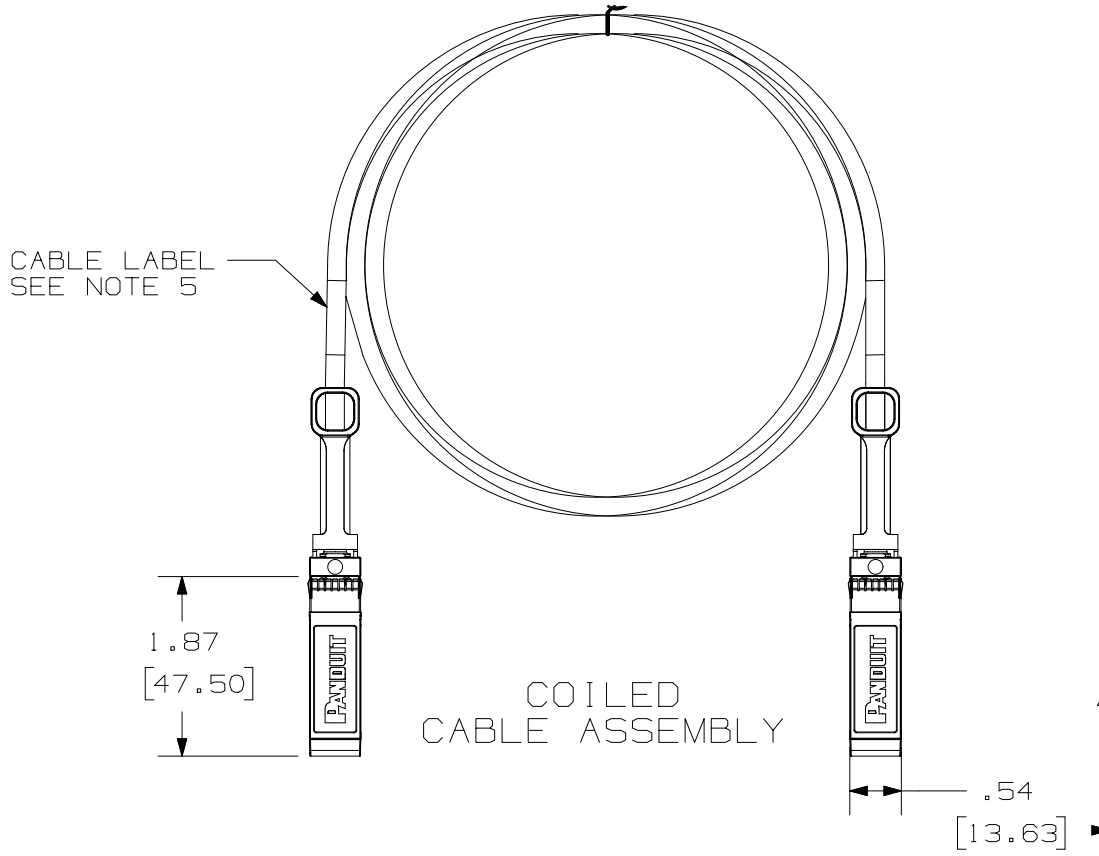


THIS COPY IS PROVIDED ON A RESTRICTED BASIS AND IS NOT TO BE USED IN ANY WAY DETRIMENTAL TO THE INTERESTS OF PANDUIT CORP.



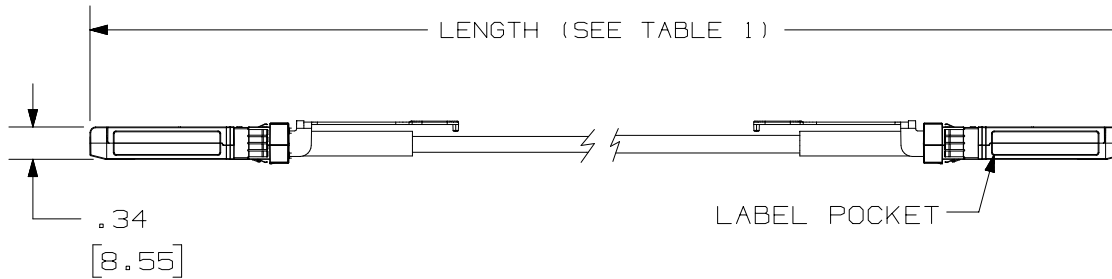
NOTES:

1. SEE CURRENT CATALOG TO INDICATE PACKAGE QUANTITY.
2. SEE CATALOG FOR COMPLETE LIST OF PARTS APPLICABLE FOR USE WITH THIS PART.
3. PRODUCT DESCRIPTION:
 - A. 1 LANE, 10 Gbps/LANE
 - B. STANDARD SFP+ CONNECTOR
 - C. CL2 RATED JACKET
 - D. JACKET COLOR: BLUE (BU), WHITE (WH), OR BLACK (BL)
4. MATES WITH SFP+ SFF-8431 INTERFACE
5. CABLE LABEL CONTAINS PRODUCT DESCRIPTION, PART NUMBER, LENGTH AND WIRE GAUGE, AND MANUFACTURING SERIAL NUMBER.

TABLE 1
CABLE ASSEMBLY

PART NUMBER	LENGTH METERS (+.15, -0)	LENGTH FEET (+.5, -0)	CABLE AWG	WEIGHT LBS
PSF1AXA3M**	3	9.84	30	0.24
PSF1AXA5M**	5	16.40	30	0.35
PSF1AXD7M**	7	22.97	24	0.81
PSF1AXD8M**	8	26.24	24	0.91
PSF1AXD9M**	9	29.52	24	1.01
PSF1AXD10M**	10	32.80	24	1.11

**CABLE COLOR IN BLUE (BU), WHITE (WH), BLACK (BL), RED (RD), GREEN (GR), OR ORANGE (OR)



PART NUMBER	SEE TABLE 1	PRODUCT SPEC/PKG SPEC	N/A
I.I. NUMBER	N/A	WORK INSTRUCTION	N/A

TITLE
ACTIVE SFP+ 10Gb/s CABLE ASSEMBLY
CUSTOMER DRAWING

ITEM REVISION NAME
10M187BQ/00.PRT
DATASET FILE NAME
10M187BQ_DC15/00E.PRT



UNLESS OTHERWISE SPECIFIED, DIMENSIONAL TOLERANCES ARE: IN (mm)
.X ± .XXX ±
.XX ± ANGLES ±
THIRD ANGLE PROJECTION
DRAWING NUMBER:
10M187BQ-15

REV	DATE	BY	CHK	APR	DESCRIPTION	ECN
4	9-30-15	BJN	SCAL	DFP	H. REMVD 11M-15M LENGTH TO BE CONSISTENT W/CONTROL DWG G. ADDED RED, GREEN & ORANGE CABLE COLORS REVISED & REDRAWN PREVIOUS REVISIONS REMVD FOR CLARITY	10M187BQ-15

DRAWN BY	DATE	CHK	SCALE	SHT 1 OF 2	SIZE
BJN	11-8-10	WFMI	NONE		A

THIS COPY IS PROVIDED ON A RESTRICTED BASIS AND IS NOT TO BE USED IN ANY WAY DETRIMENTAL TO THE INTERESTS OF PANDUIT CORP.

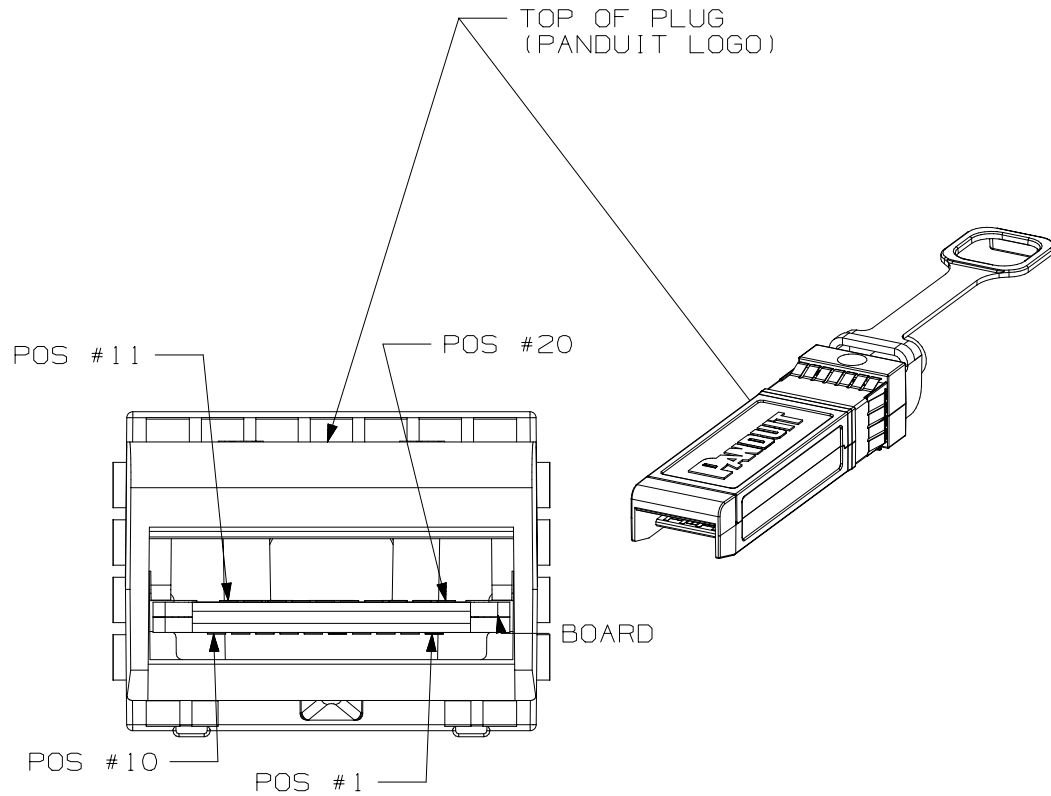


TABLE 2
PINOUT DIAGRAM

BOTTOM SIDE		TOP SIDE	
POS #	SIGNAL	POS #	SIGNAL
1	VEET*	11	VEER*
2	TX_FAULT	12	RD-
3	TX_DISABLE	13	RD+
4	SDA	14	VEER*
5	SCL	15	VCCR
6	MOD_ABS	16	VCCT
7	RS0	17	VEET*
8	RX_LOS	18	TD+
9	RS1	19	TD-
10	VEER*	20	VEET*

* VEE PINS CONNECT FIRST UPON PLUGGING IN.

FRONT VIEW
SEE TABLE 2

PART NUMBER	SEE TABLE 1	PRODUCT SPEC/PKG SPEC	N/A
I.I. NUMBER	N/A	WORK INSTRUCTION	N/A
TITLE			
ACTIVE SFP+ 10Gb/s CABLE ASSEMBLY			
CUSTOMER DRAWING			
ITEM REVISION NAME	10M187BQ/00.PRT		
DATASET FILE NAME	10M187BQ_DC15/00E.PRT		
UNLESS OTHERWISE SPECIFIED, DIMENSIONAL TOLERANCES ARE: IN (mm)		MATERIAL:	
.X ±	.XXX ±	DRAWING NUMBER: 10M187BQ-15	
.XX ±	ANGLES ±		
DRAWN BY	DATE	CHK	SCALE
BJN	11-8-10	WFMI	NONE
SHT 2 OF 2			SIZE A

4	9-30-15	BJN	SCAL	DFP	SEE SHEET 1 FOR CHANGES	10M187BQ-15
REV	DATE	BY	CHK	APR	DESCRIPTION	ECN