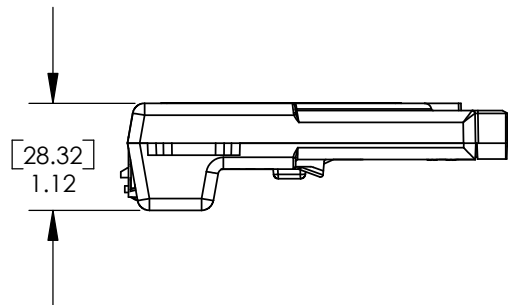
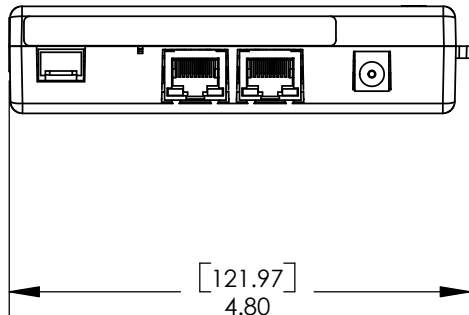
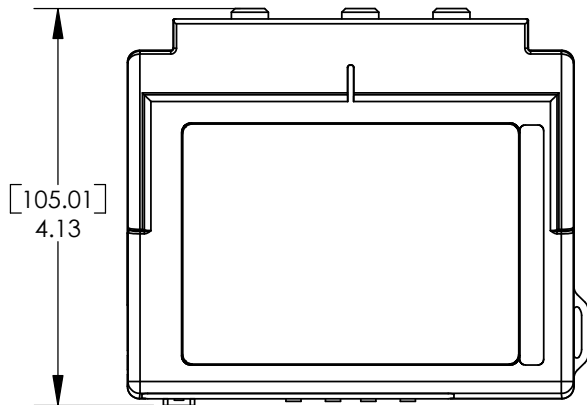
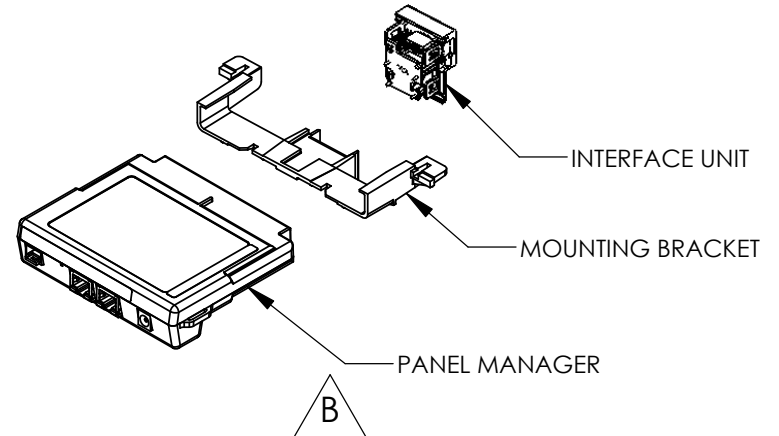


PANDUIT P/N	WEIGHT
PVQ-PM	1.5 LBS EA. 680g EA.




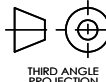
NOTES:

1. DIMENSIONS IN BRACKETS ARE IN METRIC.
2. PART INCLUDES:
 - (1) PANVIEW IQ PANEL MANAGER
 - (1) PANVIEW IQ PANEL MANAGER INTERFACE UNIT
 - (1) PANVIEW IQ MOUNTING BRACKET
 - (1) PANVIEW IQ ETHERNET PATCH CORD
 - (1) INSTRUCTION SHEET.



MODEL FILENAME m02676ac_pmm_02.s1dprt	SIZE A
DRAWING FILENAME m02676ac_dc102_01a.s1ddrw	

PANVIEW IQ PANEL MANAGER CUSTOMER DRAWING

 PANDUIT ™ CORP. TINLEY PARK, ILL 60477	I.L. NUMBER N/A
	PRODUCT SPEC/ PKG SPEC N/A
	ASSEMBLY METHOD/ TEST METHOD N/A
	SCALE NONE
 THIRD ANGLE PROJECTION	ALL DIMENSIONS ARE GIVEN IN INCHES, UNLESS OTHERWISE SPECIFIED. DIMENSIONAL TOLERANCES ARE: (.)X ±.03 (.XXX) ±.005 (.XX) ±.01 ANGLES ±1°
DRAWN BY TCW	REVIEW DRAWING NUMBERS
DATE 2/26/08	PART NO. PVQ-PM
CHK'D DCK	MAT'L: SEE NOTES ABOVE
DRAWING NO. 02676-102 Sheet 1 of 1	

REV.	DATE	BY	CHK D	DESCRIPTION	ECN	ECN REV	CUST	SUP	GM BH
1	1/5/09	ALP	MJD	A. ADDED NEW CABLE TIE FEATURE TO OVERALL DIMENSION; B. ADDED ISO VIEW OF PARTS IN PVQ-PM KIT	02676-102	MJD	MJD		
R	2/26/08	TCW	DCK	RELEASE TO PRODUCTION	02676-102				