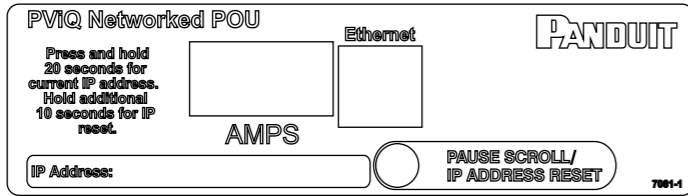


THIS COPY IS PROVIDED ON A RESTRICTED BASIS AND IS NOT TO BE USED IN ANY WAY DETRIMENTAL TO THE INTERESTS OF PANDUIT CORP.



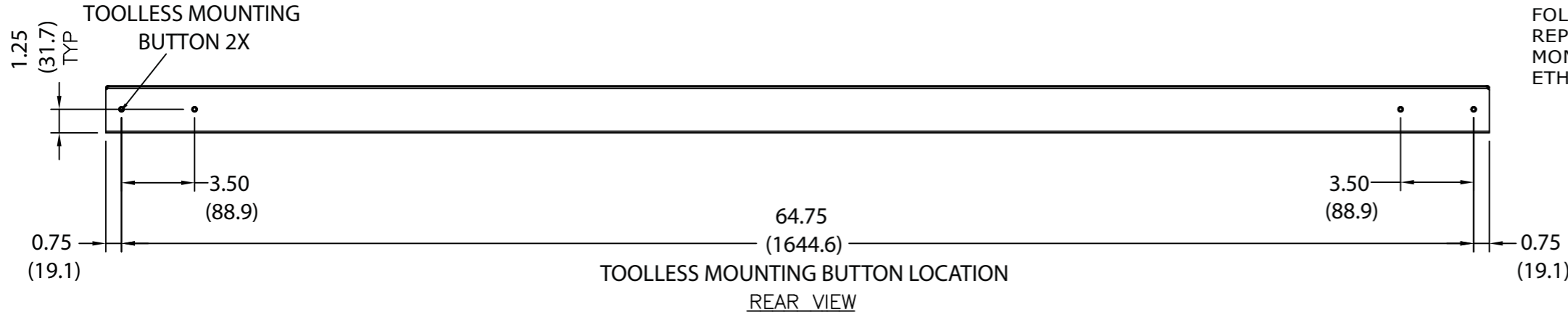
DETAIL A
(SCALE 4X)

PANDUIT P/N	WEIGHT
QZ1B2G6BN06L1	20 lb (9.0 kg)

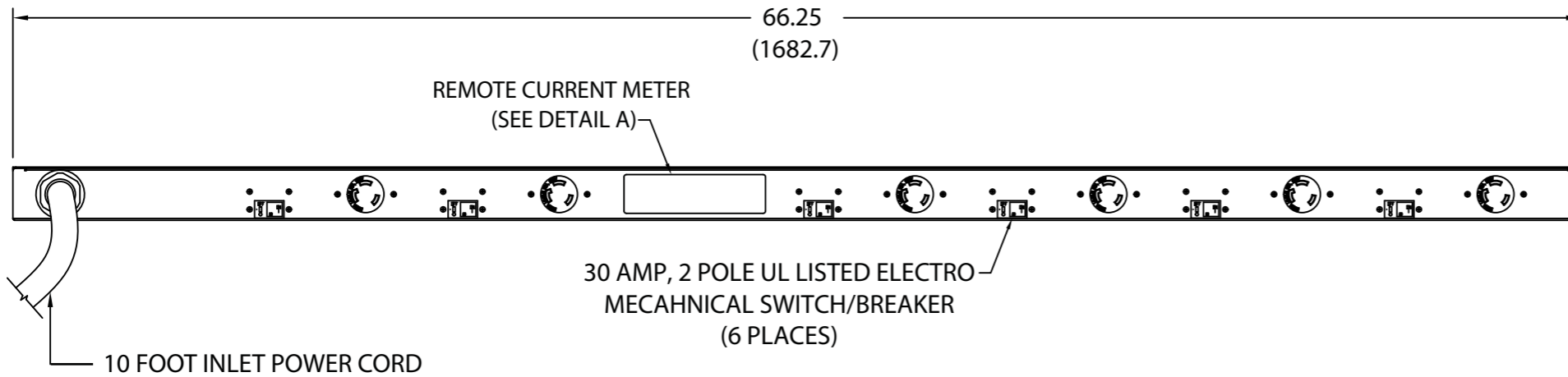
NOTES:

- IDENTIFICATION: VERTICAL, (6) L6-30R NETWORKED 208V / 60A / THREE-PHASE DELTA POU

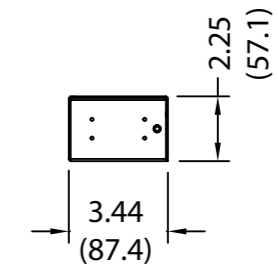
PART NO.	COLOR
QZ1B2G6BN06L1	BLACK
- ACCESSORY COMPONENTS:
 - (4) M6 x 20mm MOUNTING SCREWS
 - (4) #12-24 x 1/2" MOUNTING SCREWS
 - (2) L-BRACKETS
- HEXAGONS ARE FOR COMMUNICATION PURPOSES.
- CURRENT METER - RED, 4-DIGIT LED DISPLAY PROVIDES TRUE RMS CURRENT THAT CONTINUOUSLY SCROLLS THROUGH THE THREE MEASURED CIRCUITS. METER DISPLAYS CIRCUIT NAME FOLLOWED BY THE MEASURED CURRENT (E.G. CR-1 REPRESENTS PHASE 1). BREAKER/CIRCUIT (XY, YZ, ZX) LEVEL MONITORING CAN ALSO BE ACCESSED REMOTELY VIA ETHERNET CONNECTION.
- UL & c-UL LISTED 60950 AND NOM COMPLIANT.
- RoHS COMPLIANT.
- VISIT OUR ON-LINE CATALOG AT WWW.PANDUIT.COM FOR A CURRENT LIST OF PRODUCTS APPLICABLE FOR USE WITH THIS PART.
- MAXIMUM AVAILABLE INPUT POWER = 17.3 KW
- INSTALLATION SHALL COMPLY WITH ALL APPLICABLE NATIONAL, STATE, AND LOCAL CODES.



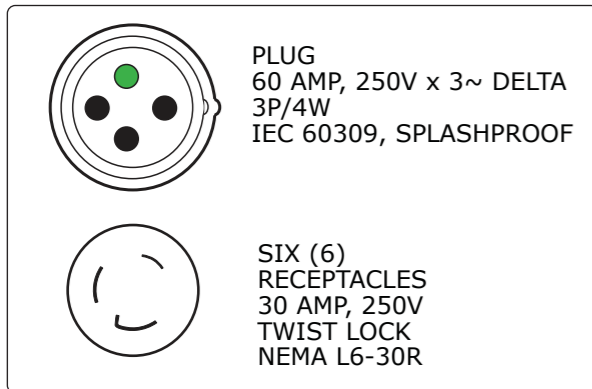
TOOLLESS MOUNTING
REAR VIEW



FRONT VIEW



RIGHT SIDE VIEW



REV	DATE	BY	CHK	DESCRIPTION	ECN	R	CUST	SUP	OTH
01A	9-10-12	PIP	MRWA	B. UPDATED DETAIL A C. REMOVED PANDUIT LABEL D. UPDATED NOTE 5	09V098UX				
00B	2-24-12	MRWA	KRKE	A. CHANGED #10-32 SCREW TO M6 SCREW	09V098UX				
00A	12-6-11	MRWA	KRKE	RELEASED TO PRODUCTION	09V098UX				

MODEL FILENAME	09V098UX/01.PRT
CAD FILENAME/LAYERS	09V098UX_DC/01A.PRT
PANDUIT CORP TINLEY PARK, ILLINOIS	
VERTICAL, (6) L6-30R NETWORKED POWER OUTLET UNIT CUSTOMER DRAWING	
UNLESS OTHERWISE SPECIFIED, DIMENSIONAL TOLERANCES ARE:	UNLESS OTHERWISE SPECIFIED, ALL DIMENSIONS ARE GIVEN IN INCHES, THIRD ANGLE PROJECTION
INCHES X.X +/- 0.03 X.XX +/- 0.015 X.XXX +/- 0.005	[METRIC - MILLIMETER] X.X +/- 0.8 X.XX +/- 0.4 X.XXX +/- 0.13
ANGLE +/- 1°	
DRAWN BY MRWA	MAT'L:
DATE 12-6-11	SCALE NONE
CHK'D KRKE	DWG 09V098UX
	SIZE B