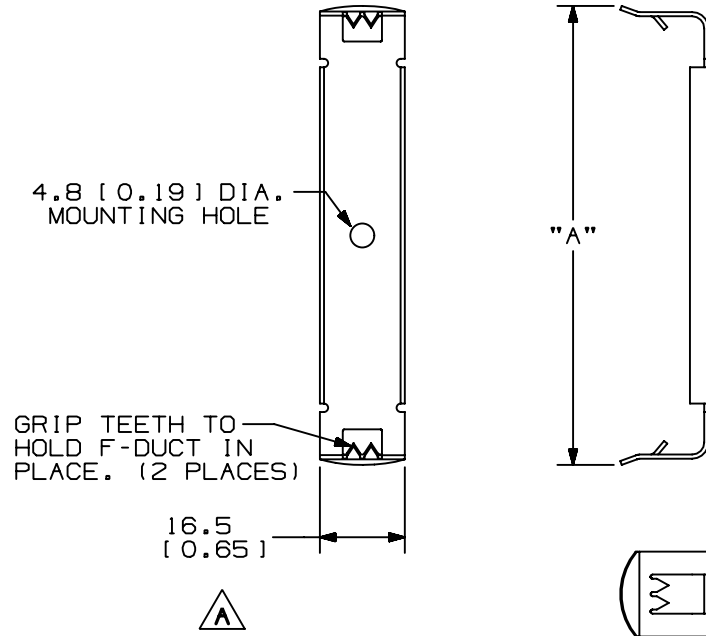


THIS COPY IS PROVIDED ON A RESTRICTED BASIS AND IS NOT TO BE USED IN ANY WAY DETRIMENTAL TO THE INTERESTS OF PANDUIT CORP.



PANDUIT PART NO. *	DUCT WIDTH APPLIED TO	"A"	WEIGHT PER 100 PIECES
SNS25F-C	25 [.98]	31.2 [1.23]	488 g [1.1 lb]
SNS37F-C	37.5 [1.48]	43.7 [1.72]	660 g [1.5 lb]
SNS50F-C	50 [1.97]	56.2 [2.21]	835 g [1.8 lb]
SNS62F-C	62.5 [2.46]	68.7 [2.70]	1009 g [2.2 lb]
SNS75F-C	75 2.95	81.2 [3.20]	1183 g [2.6 lb]



NOTES:

- * 1. SEE CURRENT CATALOG FOR ADDITIONAL INFORMATION.
- 2. ALL DIMENSIONS ARE IN MILLIMETERS(INCHES).



CAD FILENAME/LAYERS D34301_MET_F_CLIPS_01C.prt

PANDUIT CORP. TINLEY PARK, ILLINOIS

WIRING DUCT SNAP CLIP MOUNTING BRACKET (METRIC) - SNS25F, SNS37F, SNS50F, SNS62F, & SNS75F CUSTOMER DRAWING

UNLESS OTHERWISE SPECIFIED, DIMENSIONAL TOLERANCES ARE:
 (.X) ± .80 [.03] (.XXX) ±
 (.XX) ± .50 [.02] ANGLES ±

UNLESS OTHERWISE SPECIFIED, ALL DIMENSIONS ARE GIVEN IN INCHES, THIRD ANGLE PROJECTION.

DRAWN BY DW	MAT'L: 21 GA C.R.S.	SCALE NONE
DATE 5/7/93		DRAWING NO. 34301-08
CHK'D KRKE		DWG SIZE A

REV	DATE	BY	CHK	DESCRIPTION	ECN	CHK	CUST	SUP
3	3/9/05	JCST	HIW	E. MODIFIED NOTE D. MODIFIED CHART	34301-08	HIW	HIW	
2	4/13/04	JCST	JKG	C. MODIFIED CHART B. MODIFIED TITLE	34301-08	HIW	HIW	
1	9/11/01	JCST	JKG	A. DUAL DIMENSIONED	34301-08	JKG	JKG	
R	5/7/93	DW	KRKE	RELEASED TO PRODUCTION	34301-08	CEF	CEF	