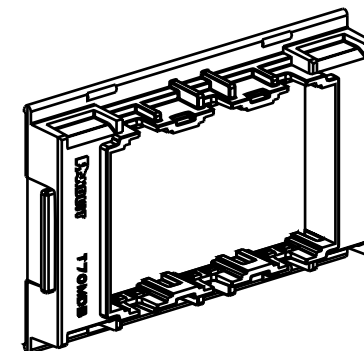
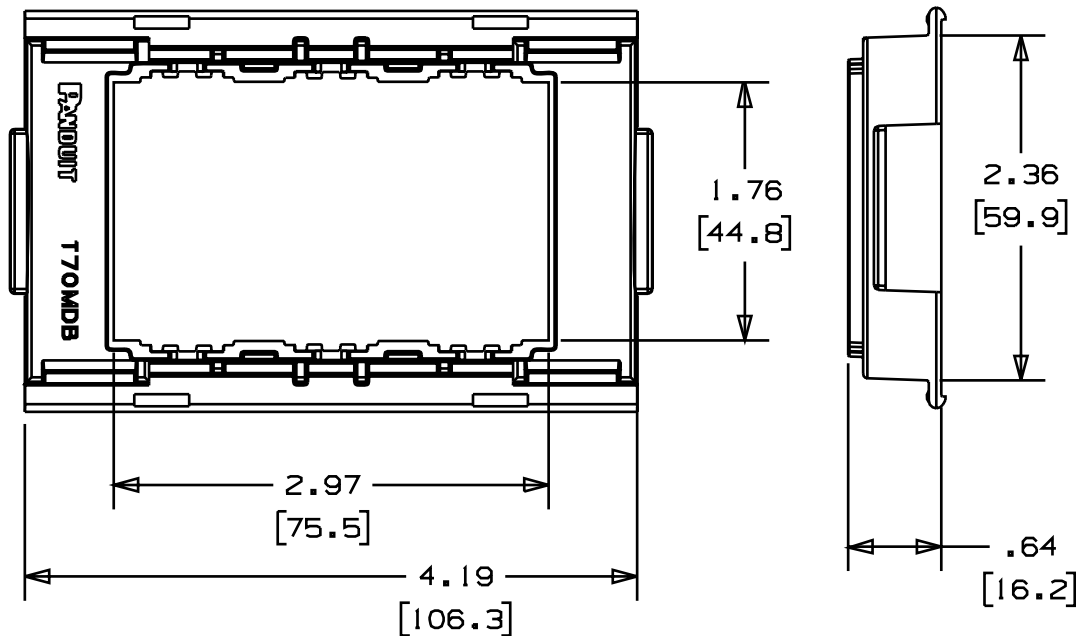


THIS COPY IS PROVIDED ON A RESTRICTED BASIS AND IS NOT TO BE USED IN ANY WAY DETRIMENTAL TO THE INTERESTS OF PANDUIT CORP.

PANDUIT P/N	WEIGHT
T70MDB	.59 LB/10 PCS (268 g/10 PCS)

NOTES:

1. SEE CURRENT CATALOG FOR ADDITIONAL PART SUFFIXES TO INDICATE COLOR AND OR PACKAGE QUANTITY.
2. THE T70MDB ACCEPTS VIMAR PRODUCTS (ITALY) OF THE "idea" SERIES FOR MOUNTING IN T70 AND T702 RACEWAYS.
3. T70MDB IS DESIGNED TO WORK WITH T70 VIMAR SNAP-ON FACEPLATE (T70PM).
4. DIMENSIONS IN PARENTHESES ARE IN METRIC.



CAD FILENAME/LAYERS D37100BG\_DC\_T70MDB\_00

PANDUIT CORP. TINLEY PARK, ILLINOIS  
T70 VIMAR MODULE DEVICE BRACKET (T70MDB)  
CUSTOMER DRAWING

UNLESS OTHERWISE SPECIFIED, DIMENSIONAL TOLERANCES ARE:  
(.X) ± (.XXX) ±  
(.XX) ±.03 (.8) ANGLES ±

UNLESS OTHERWISE SPECIFIED, ALL DIMENSIONS ARE GIVEN IN INCHES, THIRD ANGLE PROJECTION.

DRAWN BY DW	MAT'L: PVC	SCALE NONE
DATE 4-27-99		DRAWING NO. 37100-07
CHECKED BY HIW		DWG A SIZE

REV	DATE	BY	CHK	DESCRIPTION	ECN	CHK	CUST	SUP
R	4-27-99	DW	HIW	RELEASED TO PRODUCTION.	37100-07	HIW	HIW	