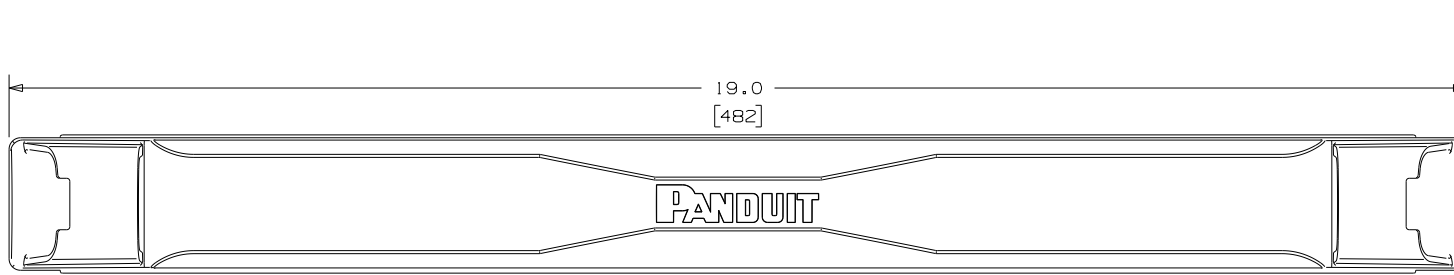
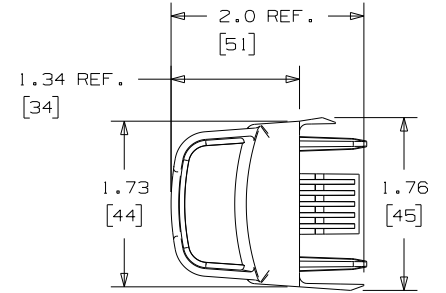


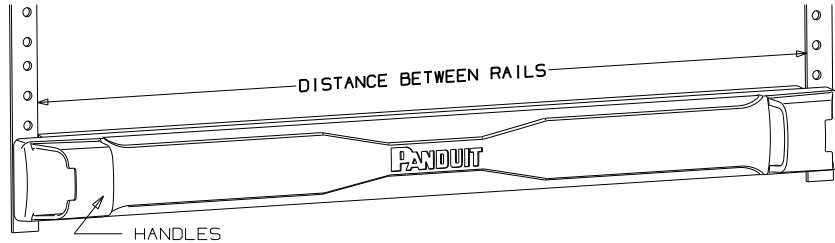
THIS COPY IS PROVIDED ON A RESTRICTED BASIS AND IS NOT TO BE USED IN ANY WAY DETRIMENTAL TO THE INTERESTS OF PANDUIT CORP.



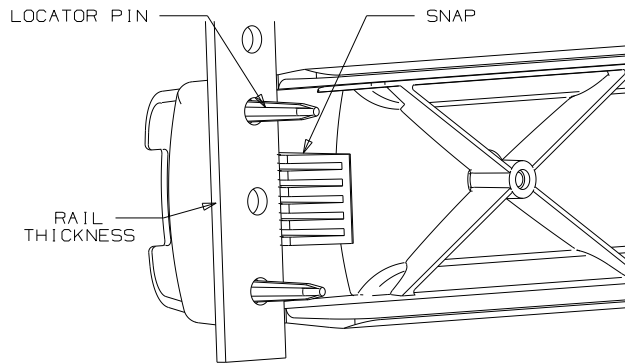
FRONT VIEW



RIGHT VIEW

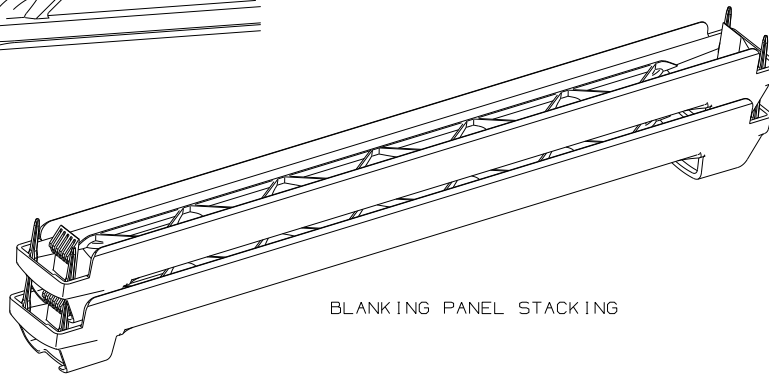


FRONT ISOMETRIC VIEW



NOTES:

1. TOOL-LESS BLANKING PANEL TO BE USED IN CEA 310-E COMPLIANT 19" RACKS OR CABINETS.
2. BEST IF INSTALLED UNDER THE FOLLOWING CONDITIONS:
 - DISTANCE BETWEEN RAILS: 17.72" - 17.88"
 - RAIL THICKNESS RANGE: .07" - .12"
3. INSTALL THE BLANKING PANEL BY ALIGNING THE LOCATING PINS WITH MOUNTING HOLES AND PUSHING IT TOWARDS THE MOUNTING RAILS.
4. VERIFY THAT THE PANEL IS CORRECTLY LOCATED IN A ONE RACK UNIT SPACE OF THE RACK OR CABINET. THE BACK FACE OF THE BLANKING PANELS MUST BE TOUCHING THE FACE OF THE RAILS.
5. REMOVE THE BLANKING PANEL FROM THE MOUNTING RAILS BY PULLING FROM THE HANDLES LOCATED ON EACH SIDE OF THE PANEL.
6. BLANKING PANELS CAN BE STACKED AS SHOWN FOR STORAGE.
7. SEE CURRENT PRICE SHEET FOR PART NUMBER SUFFIX DESIGNATION FOR PACKAGING SIZE AND PRODUCT COLOR.



BLANKING PANEL STACKING

CAD FILENAME/LAYERS	G03634DH_DC_GB3634DH/11A
<h1>PANDUIT</h1> CORP. TINLEY PARK, ILLINOIS	
TLBPIR TOOL-LESS 1U BLANKING PANEL FOR ROUND HOLES	

UNLESS OTHERWISE SPECIFIED,
 DIMENSIONAL TOLERANCES ARE:
 (.X) ± .1 (.XXX) ± .005
 (.XX) ± .03 ANGLES ± 1°

UNLESS OTHERWISE SPECIFIED,
 ALL DIMENSIONS ARE GIVEN
 IN INCHES, THIRD ANGLE PROJECTION.

11A	10/27/10	CR-MBA	DJW	NEW RELEASE	GB3634DH	11A	KLN				DRAWN BY CR-MBA	MAT'L; BLACK ABS	SCALE NONE
REV	DATE	BY	CHK	DESCRIPTION	ECN	R	CUST	SUP	QC		DATE 10/27/10		DRAWING NO. GB3634DH
											CHK'D KLN		DWG A SIZE