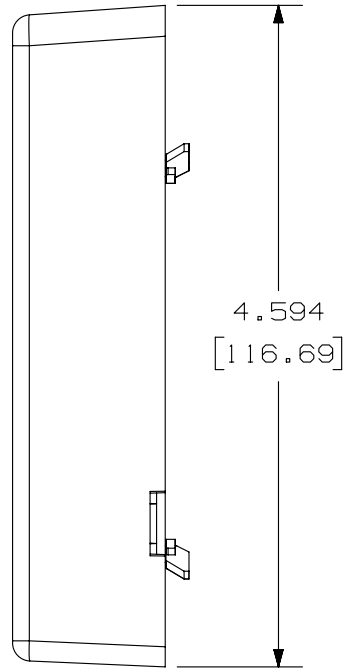
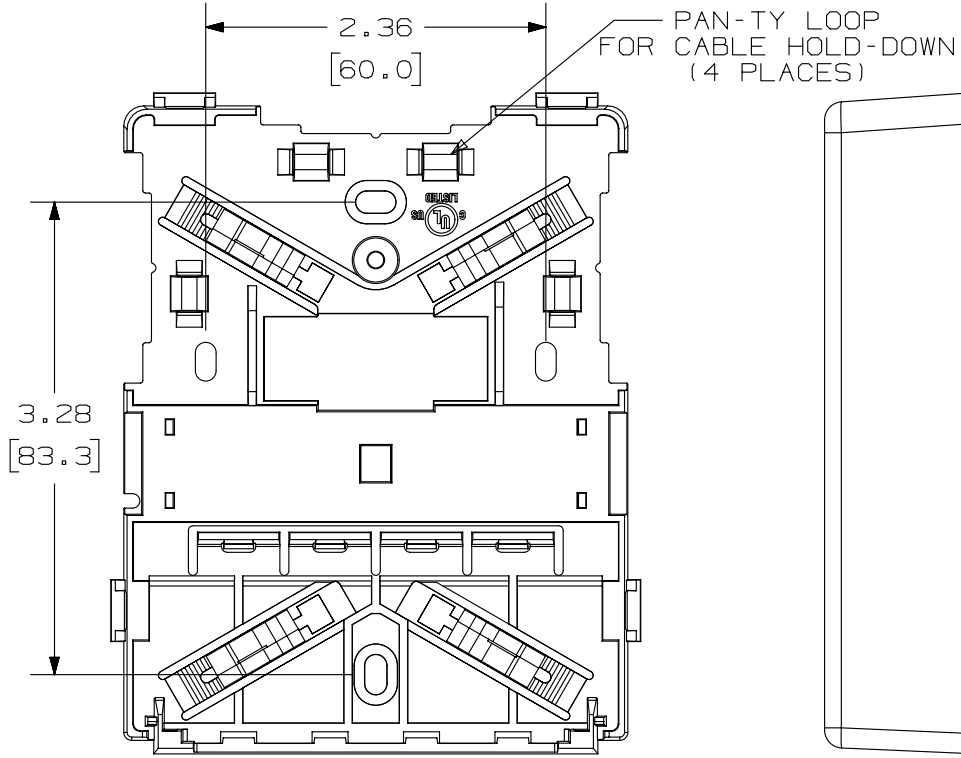
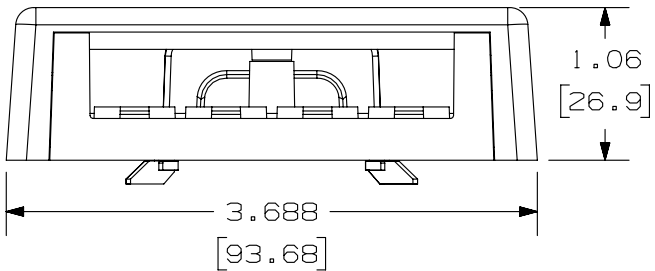


THIS COPY IS PROVIDED ON A RESTRICTED BASIS AND IS NOT TO BE USED IN ANY WAY DETRIMENTAL TO THE INTERESTS OF PANDUIT CORP.



COVER REMOVED FOR CLARITY



PANDUIT P/N	WEIGHT
UICBX4**-A	1.46 LB/10 PCS (661.3 g/10 PCS)

- NOTES:
- SEE CURRENT CATALOG FOR ADDITIONAL PART NUMBER SUFFIXES TO INDICATE COLOR AND OR PACKAGE QUANTITY.
 - SEE CATALOG FOR A COMPLETE LIST OF PARTS APPLICABLE FOR USE WITH THIS PART.
 - DIMENSIONS IN [] ARE IN METRIC.
 - ALSO INCLUDED WITH BOX:
 - 1- BOX BASE
 - 1- BOX COVER
 - 2- MOUNTING SCREW
 - 1- COVER SCREW (USED TO SECURE COVER TO BASE)
 - 2- STRIP OF 1.25" X .75" FOAM TAPE FOR MOUNTING
 - 1- COLOR COORDINATED SCREW COVER
 - 1- CLEAR LABEL COVER
 - 1- CLEAR SCREW COVER
 - 2- CABLE TIE (PLT1.5I-C)
 - 1- COLOR COORDINATED LABEL COVER
 - 4- FURNITURE TAB FOR ATTACHING BOX TO FURNITURE OPENINGS.
 - BASE HAS TWO POCKETS FOR OPTIONAL MAGNET (CSBM-X)
 - BREAKOUTS DESIGNED TO ACCEPT LD5 OR LD10 SERIES RACEWAY.

NO WARRANTY, EXPRESSED OR IMPLIED, IS MADE BY PANDUIT WITH RESPECT TO ADHESIVE BOND PERFORMANCE. AMONG OTHER THINGS, THE CONDITIONS UNDER WHICH THESE MOUNTS MAY BE APPLIED AND/OR THE SURFACE TO WHICH THEY MAY BE APPLIED ARE BEYOND PANDUIT'S CONTROL.

PART NUMBER		UICBX4**-A										
TITLE												
MINI-COM 4 POSITION ULTIMATE ID SURFACE MOUNT BOX												
CUSTOMER DRAWING												
ITEM REVISION NAME		M01700AP/07										
DATASET FILE NAME		M01700AP_DC/07A										
UNLESS OTHERWISE SPECIFIED, DIMENSIONAL TOLERANCES ARE: IN [mm]		MATERIAL:										
.x ± .xxx ± .010 [.3]		ABS										
.xx ± .03 [.8]		DRAWING NUMBER:										
THIRD ANGLE PROJECTION		01700-07										
DRAWN BY	DATE	CHK	SCALE									
JSP	10-17-06	EB	NONE									
REV	DATE	BY	DESCRIPTION									
1	5/22/14	JSP	REFR MMR A. REVISED DRAWING TITLE BLOCK.									
R	10-17-06	JSP	EB EB RELEASED TO PRODUCTION									
REV	DATE	BY	CHK	APR	DESCRIPTION	ECN	DRAWN BY	DATE	CHK	SCALE	SHT 1 OF 1	SIZE
							JSP	10-17-06	EB	NONE		A

D101000DA/14