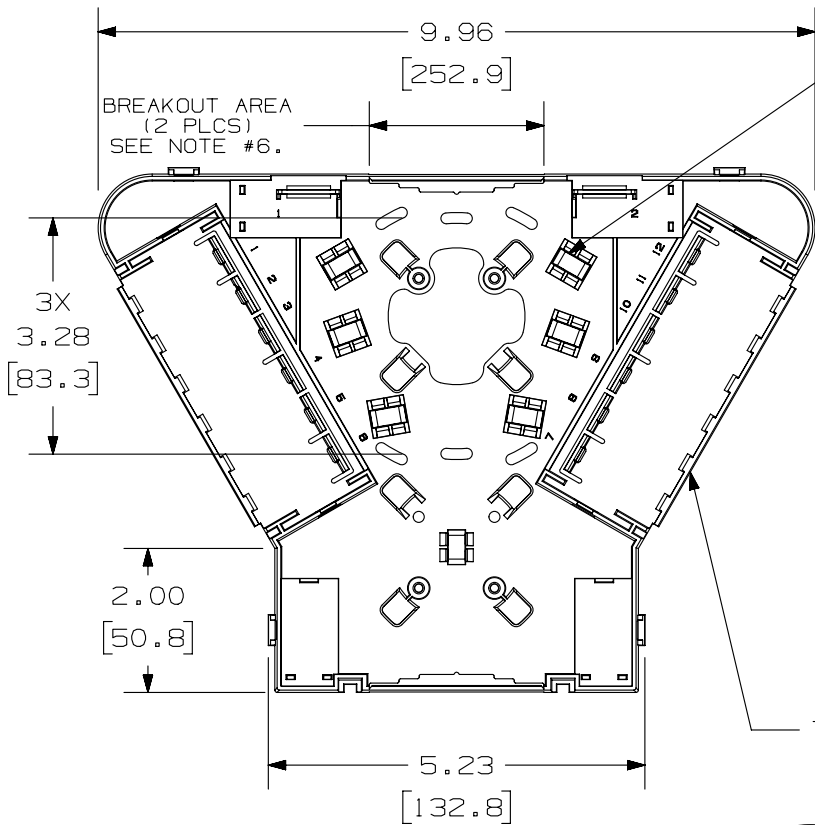


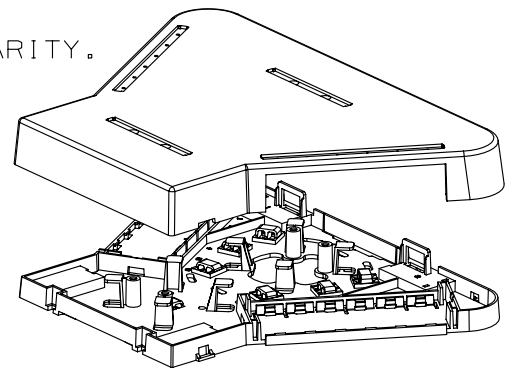
THIS COPY IS PROVIDED ON A RESTRICTED BASIS AND IS NOT TO BE USED IN ANY WAY DETRIMENTAL TO THE INTERESTS OF PANDUIT CORP.



PAN-TY LOOPS FOR CABLE HOLD-DOWNS (7 PLCS)

THIS AREA TO ACCOMODATE AND LD10 RACEWAY. 6 MINI-COM MODULES 2 PLACES

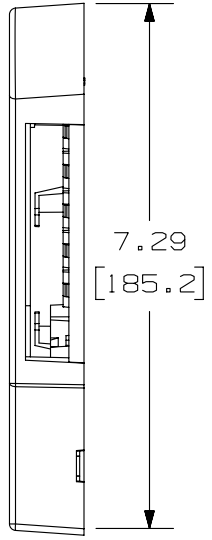
COVER REMOVED FOR CLARITY.



PANDUIT P/N	WEIGHT
UICBXA12**-A	5.10 LB/10 PCS (2313.3 g/10 PCS)

NOTES:

- SEE CURRENT CATALOG FOR ADDITIONAL PART NUMBER SUFFIXES TO INDICATE COLOR AND OR PACKAGE QUANTITY.
- SEE CATALOG FOR A COMPLETE LIST OF PARTS APPLICABLE FOR USE WITH THIS PART.
- DIMENSIONS IN [] ARE IN METRIC.
- ALSO INCLUDED WITH BOX:
 - (4) -PLT1.51-C PAN-TY
 - (3) -STRIP OF 3.00" X .75" FOAM TAPE FOR MOUNTING
 - (2) -6 POSITION CLEAR LABEL COVER
 - (2) -4 POSITION CLEAR LABEL/SCREW COVER
 - (1) -4 POSITION COLOR COORDINATED SCREW COVER
 - (4) -COVER SCREW (USED TO SECURE COVER TO BASE)
 - (4) -#6-32 MOUNTING SCREW
- BASE HAS 4 POCKETS FOR OPTIONAL MAGNET. (CSBM-X)
- BREAKOUTS DESIGNED TO ACCEPT LD5 AND LD10 RACEWAY.
- LABEL SOLD SEPARATELY.



NO WARRANTY, EXPRESSED OR IMPLIED, IS MADE BY PANDUIT WITH RESPECT TO ADHESIVE BOND PERFORMANCE. AMONG OTHER THINGS, THE CONDITIONS UNDER WHICH THESE MOUNTS MAY BE APPLIED AND/OR THE SURFACE TO WHICH THEY MAY BE APPLIED ARE BEYOND PANDUIT'S CONTROL.

PART NUMBER		UICBXA12**-A	
TITLE		MINI-COM ULTIMATE ID 12 POSITION ANGLED MULTI-MEDIA SURFACE MOUNT BOX	
		CUSTOMER DRAWING	
ITEM REVISION NAME		M01263AA/06	
DATASET FILE NAME		M01263AA_DC/06B	
UNLESS OTHERWISE SPECIFIED, DIMENSIONAL TOLERANCES ARE: IN [mm]		MATERIAL:	
.x ± .xxx ± .010 [.3]		ABS	
.xx ± .03 [.8]		DRAWING NUMBER:	
THIRD ANGLE PROJECTION		01263-06	
DRAWN BY	DATE	CHK	SCALE
JSP	5-17-02	MJD	NONE
REV	DATE	BY	CHK
1	5/29/14	JSP	REFR
R	5-17-02	JSP	MJD
APR		MMR	A. REVISED DRAWING TITLE BLOCK.
APR		MJD	RELEASED TO PRODUCTION
DESCRIPTION	ECN	SHT 1 OF 1	SIZE
			A

D10100DA/14