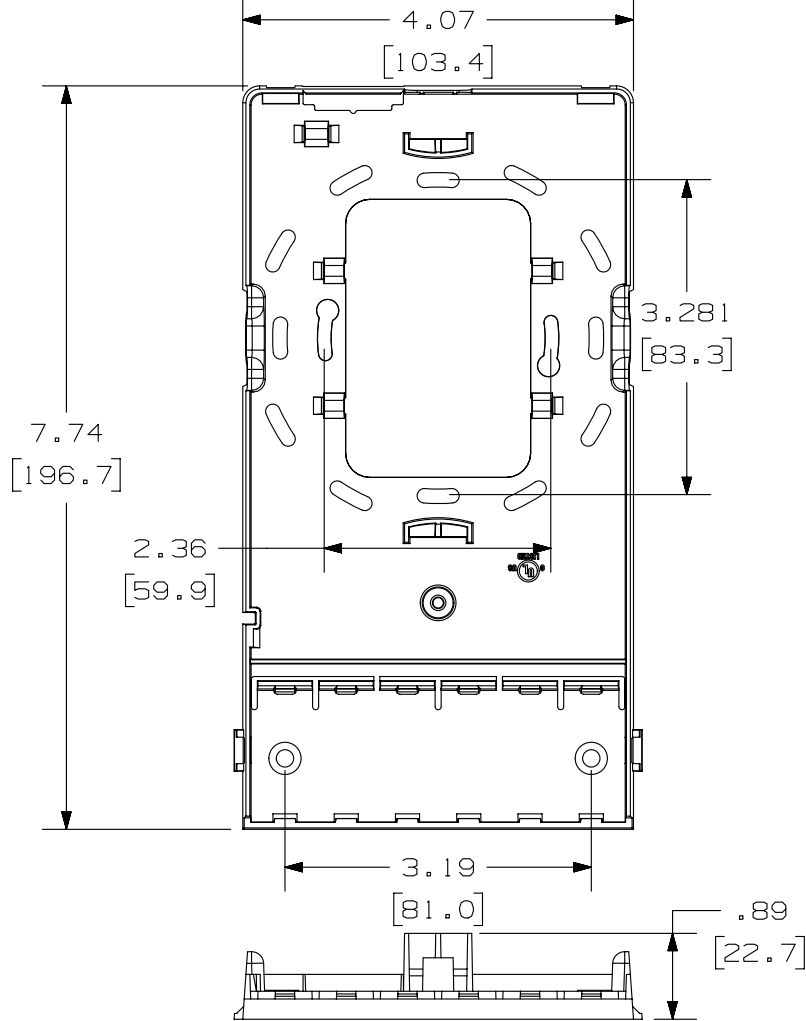


THIS COPY IS PROVIDED ON A RESTRICTED BASIS AND IS NOT TO BE USED IN ANY WAY DETRIMENTAL TO THE INTERESTS OF PANDUIT CORP.



PANDUIT P/N	WEIGHT
UICBXH6**-A	2.81 LB/10 PCS (1278.2 g/10 PCS)

NOTES:

- SEE CURRENT CATALOG FOR ADDITIONAL PART NUMBER SUFFIXES TO INDICATE COLOR AND OR PACKAGE QUANTITY.
- SEE CATALOG FOR A COMPLETE LIST OF PARTS APPLICABLE FOR USE WITH THIS PART.
- DIMENSIONS IN [] ARE IN METRIC.
- ALSO INCLUDED WITH BOX:
 - 1- BOX BASE
 - 1- BOX COVER
 - 1- RETENTION BLOCK
 - 4- MOUNTING SCREW
 - 4- SELF TAPPING SCREW
 - 2- STRIP OF 3.00" X .75" FOAM TAPE FOR MOUNTING
 - 1- CLEAR LABEL COVER
 - 1- CLEAR SCREW COVER
 - 2- CABLE TIE
- BREAKOUTS DESIGNED TO ACCEPT LD3/LDP3 OR LD5/LDP5 RACEWAY. (DOES NOT ENTER BOX.)

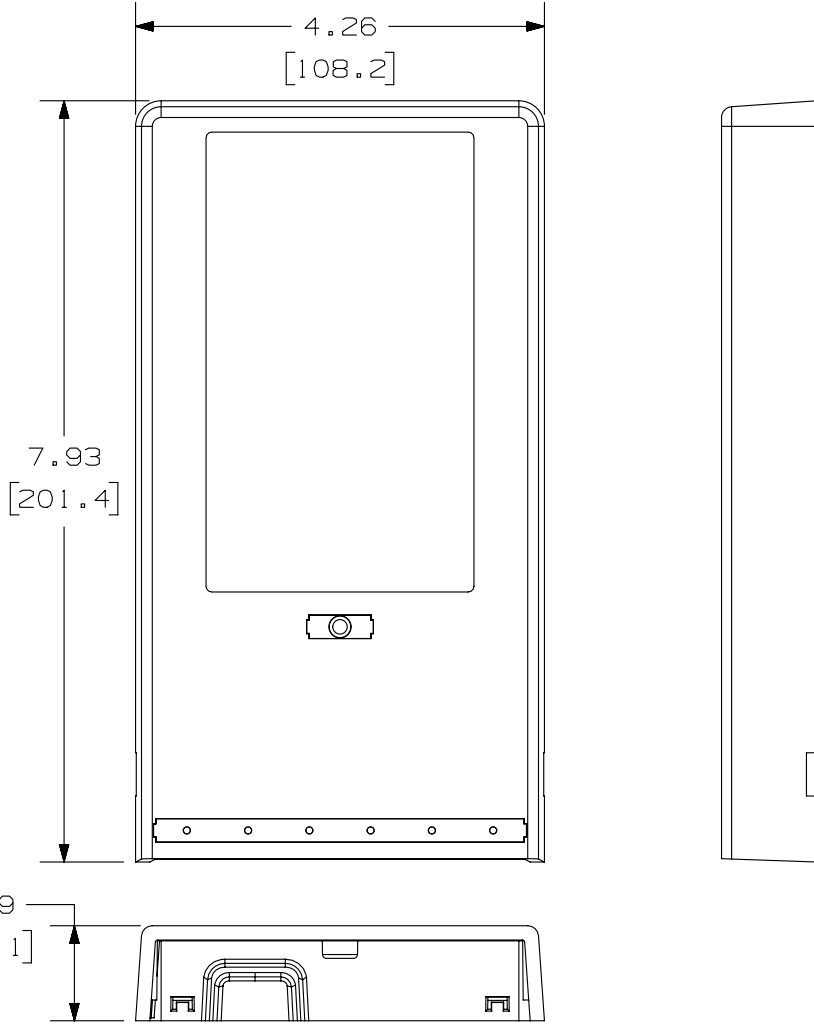
NO WARRANTY, EXPRESSED OR IMPLIED, IS MADE BY PANDUIT WITH RESPECT TO ADHESIVE BOND PERFORMANCE. AMONG OTHER THINGS, THE CONDITIONS UNDER WHICH THESE MOUNTS MAY BE APPLIED AND/OR THE SURFACE TO WHICH THEY MAY BE APPLIED ARE BEYOND PANDUIT'S CONTROL.

PART NUMBER		UICBXH6**-A	
TITLE			
MINI-COM ULTIMATE ID HYBRID 6 POSITION SURFACE MOUNT BOX			
CUSTOMER DRAWING			
ITEM REVISION NAME		M01692AB/00	
DATASET FILE NAME		M01692AB_DC/00C	
UNLESS OTHERWISE SPECIFIED, DIMENSIONAL TOLERANCES ARE: IN [mm]		MATERIAL:	
.x ± .xxx ± .010 [.3]		ABS	
.xx ± .03 [.8]		DRAWING NUMBER:	
THIRD ANGLE PROJECTION		01692-06	
DRAWN BY	DATE	CHK	SCALE
JSP	4-6-05	EB	NONE
SHT 1 OF 3			SIZE
			A

REV	DATE	BY	CHK	APR	DESCRIPTION	ECN
1	5/29/14	JSP	REFR	MMR	A. REVISED DRAWING TITLE BLOCK.	01692-06
R	4-6-05	JSP	EB	EB	RELEASED TO PRODUCTION	01692-06

D10100DA/14

THIS COPY IS PROVIDED ON A RESTRICTED BASIS AND IS NOT TO BE USED IN ANY WAY DETRIMENTAL TO THE INTERESTS OF PANDUIT CORP.



PART NUMBER		UICBXH6** - A				
TITLE						
MINI-COM ULTIMATE ID HYBRID 6 POSITION SURFACE MOUNT BOX		CUSTOMER DRAWING				
ITEM REVISION NAME		M01692AB/00	PANDUIT			
DATASET FILE NAME		M01692AB_DC/00C				
UNLESS OTHERWISE SPECIFIED, DIMENSIONAL TOLERANCES ARE: IN [mm]		MATERIAL:				
.x ± .xxx ± .010 [.3]		ABS				
.xx ± .03 [.8] ANGLES ±		DRAWING NUMBER:				
THIRD ANGLE PROJECTION		01692-06				
DRAWN BY	DATE	CHK	SCALE			
JSP	4-6-05	EB	NONE			
REV	DATE	BY	DESCRIPTION			
1	5/29/14	JSP	REFR MMR SEE SHEET 1 OF 3 FOR REVISION DETAILS.			
R	4-6-05	JSP	EB EB SEE SHEET 1 OF 3 FOR REVISION DETAILS.			
REV	DATE	BY	CHK	APR	DESCRIPTION	ECN

D10100DA/14

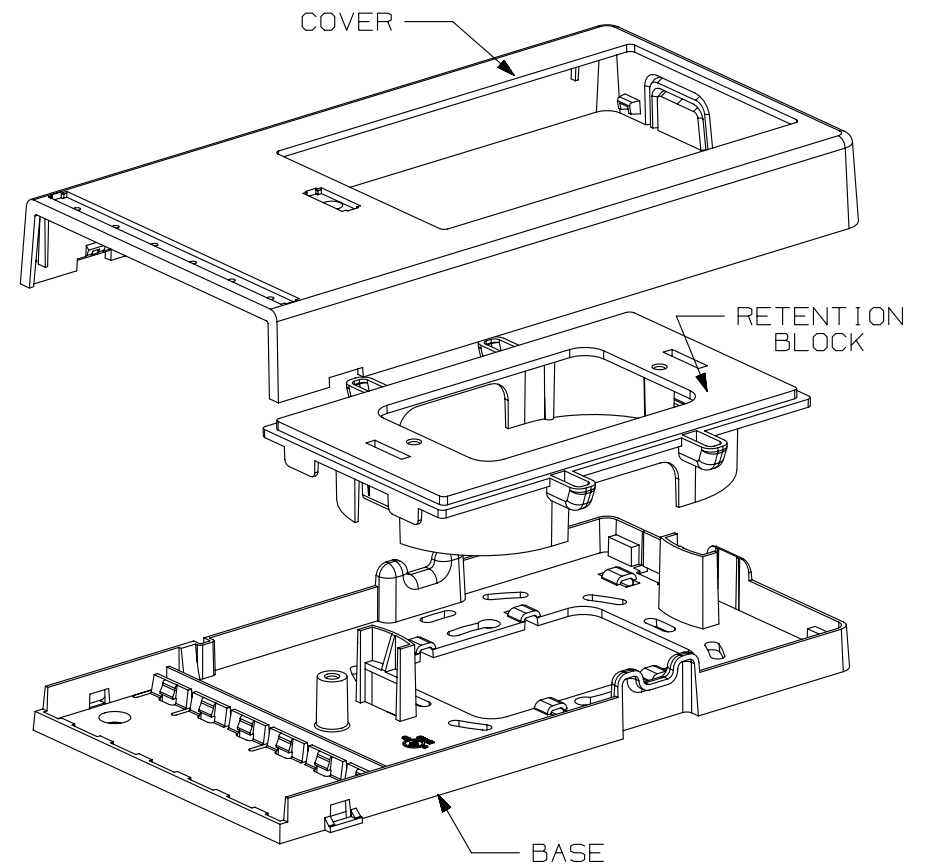
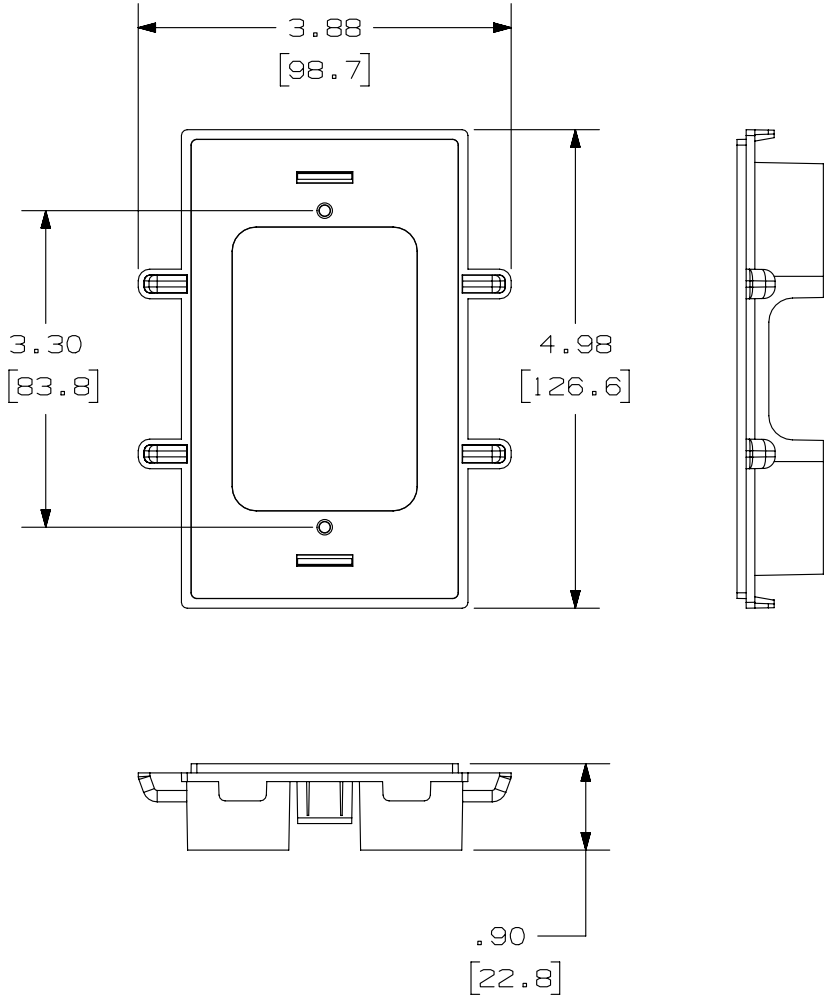
2

1

2

1

THIS COPY IS PROVIDED ON A RESTRICTED BASIS AND IS NOT TO BE USED IN ANY WAY DETRIMENTAL TO THE INTERESTS OF PANDUIT CORP.



PART NUMBER		UICBXH6** - A	
TITLE			
MINI-COM ULTIMATE ID HYBRID 6 POSITION SURFACE MOUNT BOX			
CUSTOMER DRAWING			
ITEM REVISION NAME		M01692AB/00	
DATASET FILE NAME		M01692AB_DC/00C	
UNLESS OTHERWISE SPECIFIED, DIMENSIONAL TOLERANCES ARE: IN [mm]		MATERIAL:	
.X ± .XX ± .03 [.8]		ABS	
.XXX ± .010 [.3]		DRAWING NUMBER:	
ANGLES ±		01692-06	
THIRD ANGLE PROJECTION		SHT 3 OF 3	
DRAWN BY	DATE	CHK	SCALE
JSP	4-6-05	EB	NONE
REV	DATE	BY	CHK
1	5/29/14	JSP	REFR
R	4-6-05	JSP	EB

REV	DATE	BY	CHK	APR	DESCRIPTION	ECN
1	5/29/14	JSP	REFR	MMR	SEE SHEET 1 OF 3 FOR REVISION DETAILS.	01692-06
R	4-6-05	JSP	EB	EB	SEE SHEET 1 OF 3 FOR REVISION DETAILS.	01692-06

D10100DA/14

2

1

2

1