

Mini-Com® Ultimate ID® Hybrid Box

PANDUIT®

SPECIFICATION SHEET

specifications

The hybrid box shall be a merging point for fiber and copper installations and shall accept all modules. The hybrid box shall offer independent access to each type of media providing easy installation and maintenance. The box shall provide various mounting options. A retention block shall include a built-in spool that holds a total of 12 meters of fiber buffered cable and shall accept a single gang faceplate for up to 6 modules. A cover extension shall provide additional security and bend radius protection to the connections. The hybrid box shall comply with labeling standards by including a station ID pocket and a 6-port ID pocket for all base mounted modules.



technical information

| | |
|-------------------------|---|
| Dimensions: | UICBXH6**-A .98"H x 4.24"W x 7.89"L (25mm x 107.6mm x 200.4mm) UICBXHC6**-A .98"H x 4.24"W x 9.56"L (25mm x 107.6mm x 242.9mm) |
| Color options: | Available in EI, IW, and WH |
| Mounting option: | Mounts to single or double gang openings, compatible with DIN openings, mounts with adhesive tape to flat surfaces |
| Packaging: | Hybrid box and hybrid box with cover extension will both include retention block, mounting screws, adhesive tape and clear label covers, one UILC1CL, and one UILC6CL |

key features and benefits

| | |
|-------------------------------------|---|
| Copper/Fiber in one outlet | One outlet will merge fiber and copper connections |
| Ultimate ID® Labeling System | Easy identification to help troubleshooting and maintenance, meets 606-A standard |
| Optional cover extension | Provides additional security to fiber connections and offers bend radius protection |
| Modularity | Multimedia flexibility simplifies moves, adds, and changes |
| Retention block | Will manage up to 12 meters of buffered fiber cable |
| Raceway breakout | Provides routing flexibility, easy to install for low installed cost |

applications

Schools, hospitals, and government/military are among many organizations that are considering fiber optic/copper solutions to reduce the amount of network upgrades required to satisfy increasing demands for higher bandwidth. Fiber, in closer proximity to the source, will ensure there is adequate bandwidth installed to support high-demand, multi-user environments.

As the demand for higher bandwidth increases, applications such as military

secured networks, corporate research and development projects, and digital imaging equipment in hospitals will require functional high capacity products to support high end networks.

The Mini-Com® Ultimate ID® Hybrid box can bring fiber to the work area today, and can also serve as a future migration path, providing a merging point that will support installations requiring both fiber and copper connections.

Mini-Com® Ultimate ID® Hybrid Surface Mount Box

| | |
|---|--------------|
| 6-port hybrid box: | UICBXH6**-A |
| 6-port hybrid box w/cover extension: | UICBXHC6**-A |
| Cover extension for hybrid box: | UICBXHEC** |

Mini-Com® Single Gang Faceplates

| | |
|--|--------------------------|
| UID single gang faceplates: | UICFPSE4** UICFPSE6** |
| Classic single gang faceplates: | CFPSL4** CFPSL6** |
| Executive single gang faceplates: | CFPE4** CFPE6** |

Mini-Com® Copper Jack Modules

| | |
|--------------------|-------------|
| TX6™ 10Gig: | CJ6X88TG*** |
| TX6™ Plus: | CJ688TP*** |
| TX5e™: | CJ5E88T*** |

Mini-Com® Fiber Optic Modules

| | |
|-------------------------|-------------|
| LC Duplex 10Gig: | CMDJAQLCZBL |
| SC Duplex SM: | CMDBUSCZBU |
| FJ MM | |
| duplex jack: | FJJGM5CEI |
| SC Duplex MM: | CMDEISCEI |

UTP Copper Riser Cable

| | |
|--------------------|-------------|
| TX6™ 10Gig: | PUR6X04BU-U |
| TX6000™: | PUR6004BU-U |
| TX5500™: | PUR5504BU-U |

Replace BU with WH for White.
Replace PUR with PUP for Plenum.

Opti-Core™ Fiber Optic Riser Distribution Cable

| | |
|------------------------------|---------|
| OM1 (62/125im): | FSDR6^^ |
| OM2 (50/125im): | FSDR5^^ |
| OM3 (10Gig 50/125im): | FODRX^^ |
| OS1 (9/125im): | FSDR9^^ |

^^Substitute for fiber count: 06 or 12.

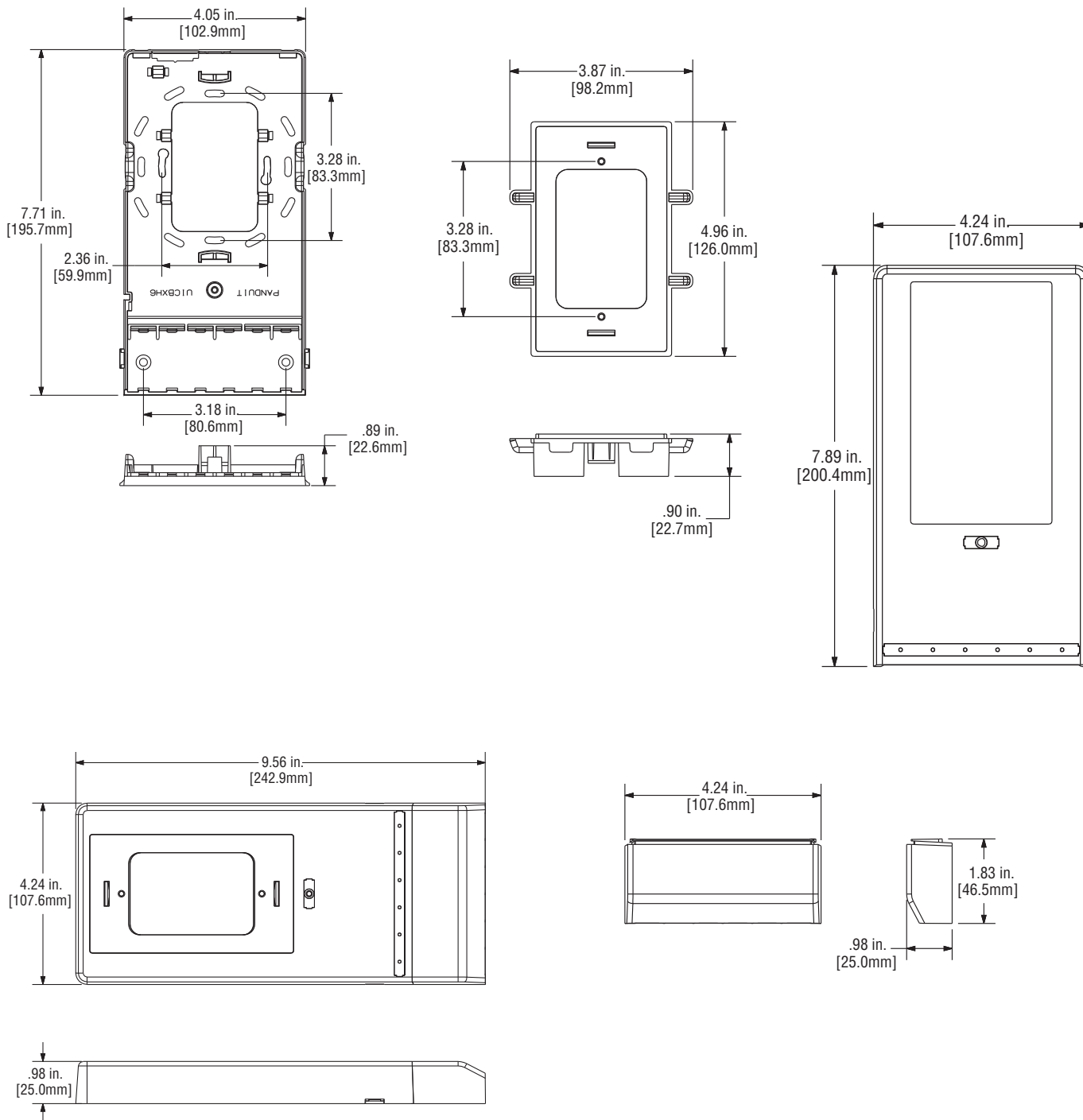
Optional Labels

| | |
|--|---------|
| LS7 printer non-laminated label cassette: | UILS7BW |
| UID laser/ink jet labels: | |
| one port label: | UILJ1 |
| six port label: | UILJ6 |

**IW: Off White
WH: White
EI: Electric Ivory

***Refer to catalog for Mini-Com® Jack Module colors.

Mini-Com® Ultimate ID® Hybrid Box



Dimensions are in inches [Dimensions in brackets are metric]

WORLDWIDE SUBSIDIARIES AND SALES OFFICES

PANDUIT CANADA
Markham, Ontario
cs-cdn@panduit.com
Phone: 800.777.3300

PANDUIT EUROPE LTD.
London, UK
cs-emea@panduit.com
Phone: 44.20.8601.7200

PANDUIT SINGAPORE PTE. LTD.
Republic of Singapore
cs-ap@panduit.com
Phone: 65.6305.7575

PANDUIT JAPAN
Tokyo, Japan
cs-japan@panduit.com
Phone: 81.3.6863.6000

PANDUIT LATIN AMERICA
Guadalajara, Mexico
cs-la@panduit.com
Phone: 52.33.3777.6000

PANDUIT AUSTRALIA PTY. LTD.
Victoria, Australia
cs-aus@panduit.com
Phone: 61.3.9794.9020

For a copy of Panduit product warranties, log on to www.panduit.com/warranty

For more information

Visit us at www.panduit.com

Contact Customer Service by email: cs@panduit.com
or by phone: 800.777.3300

PANDUIT®

©2013 Panduit Corp.
ALL RIGHTS RESERVED.
OTSP35--WW-ENG
Replaces WW-NCSP23
12/2013