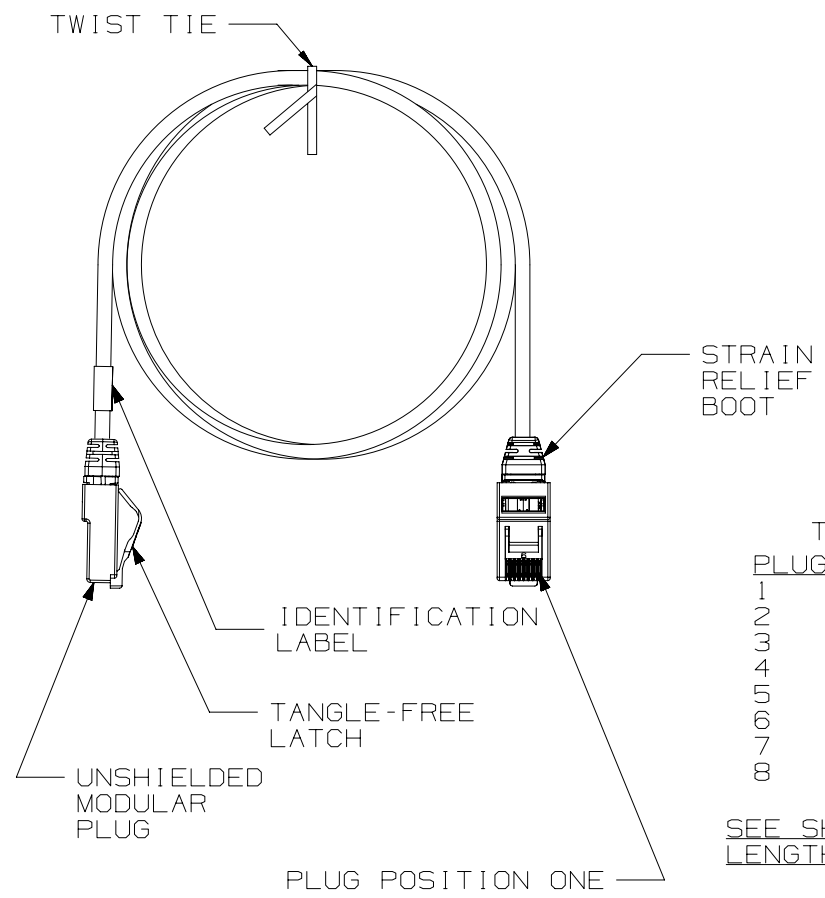


THIS COPY IS PROVIDED ON A RESTRICTED BASIS AND IS NOT TO BE USED IN ANY WAY DETRIMENTAL TO THE INTERESTS OF PANDUIT CORP.



- NOTES:
1. CATEGORY 6A UTP 28AWG CATEGORY 6A PATCH CORDS
  2. c(UL)us LISTED, FILE NUMBER E129886
  3. TERMINATED WITH (8 POSITION) MODULAR PLUGS AT BOTH ENDS PER T568B.
  4. CONSTRUCTED WITH 28AWG SOLID CONDUCTOR CATEGORY 6A F/UTP HALOGEN FREE (CM/LSZH) PATCH CABLE
  5. MATERIALS:  
PLUG: POLYCARBONATE  
CONTACTS: GOLD PLATED PHOSPHOR BRONZE
  6. NOMINAL CABLE DIAMETER IS 0.185IN (4.7MM).
  7. ALL MATERIALS AND COMPONENTS USED MUST MEET THE MATERIALS RESTRICTIONS OF RoHS, (EUROPEAN DIRECTIVE 2011/65/EU ON THE RESTRICTION OF HAZARDOUS SUBSTANCES) AS PROPOSED BY THE RoHS TECHNICAL ADAPTATION COMMITTEE.
  8. 100% FACTORY TESTED FOR CATEGORY 6A PATCH CORD PERFORMANCE
  9. USE 28AWG CAT6A JACK (CJT6X88TG\*\*) FOR FIELD TERMINATION.
  10. (AA)=FINAL PATCH CORD ASSEMBLY LENGTH REQUIREMENT  
(Y)=PATCH CORDS ASSEMBLY LENGTH CODES, NO SUFFIX=FT, IN=INCHES, M=METERS  
(\*\*)=COLOR OF CABLE JACKET

T568B WIRING SCHEME

PLUG POSITION	CABLE WIRE
1	WHITE ORANGE
2	ORANGE
3	WHITE GREEN
4	BLUE
5	WHITE BLUE
6	GREEN
7	WHITE BROWN
8	BROWN

CABLE COLORS	** = COLOR
OFF WHITE	--
BLACK	BL
BLUE	BU
RED	RD
YELLOW	YL
GREEN	GR
ORANGE	OR
VIOLET	VL
GREY	GY
PINK	PK
PASTEL BLUE	PB

SEE SHEET 2 FOR PATCH CORD LENGTHS AND PART NUMBERS

PART NUMBER UTP28XAA** (SEE NOTE 10)	PRODUCT SPEC/PKG SPEC N/A
I.I. NUMBER N/A	WORK INSTRUCTION N/A

TITLE  
**CATEGORY 6A UTP 28AWG COPPER PATCH CORDS (CM/LSZH)**  
CUSTOMER DRAWING

ITEM REVISION NAME  
13M465AE/02

DATASET FILE NAME  
13M465AE\_DC02/02A

UNLESS OTHERWISE SPECIFIED, DIMENSIONAL TOLERANCES ARE: IN (mm)  
.x ± .06 (1.5)      .xxx ± .010 (.3)  
.xx ±      ANGLES ±

THIRD ANGLE PROJECTION

MATERIAL:  
SEE NOTE 5

DRAWING NUMBER:  
13M465AE-02

REV	DATE	BY	CHK	APR	DESCRIPTION	ECN
3	12-21-17	MDJR	MATO	SRSE	D. ADDED PASTEL BLUE COLOR. C. ADDED NOTE 10 AS PART NUMBER KEY	13M465AE-02
2	6-2-16	BJN	DCS	TMBA	B. ADDED PINK TO CABLE COLORS OFFERING	13M465AE-02
1	12-29-15	BJN	DCS	TMBA	A. CORRECTED PART NUMBER	13M465AE-02
R	11-20-14	BJN	BJBE/DCS	FMS	RELEASED TO PRODUCTION	13M465AE-02

DRAWN BY BJN	DATE 11-20-14	CHK DCS	SCALE NONE	SHT 1 OF 2	SIZE A
-----------------	------------------	------------	---------------	------------	-----------

D10100DA/14

2

1

THIS COPY IS PROVIDED ON A RESTRICTED BASIS AND IS NOT TO BE USED IN ANY WAY DETRIMENTAL TO THE INTERESTS OF PANDUIT CORP.

### CATEGORY 6A UTP 28AWG PATCH CORDS

A

PANDUIT PART NUMBER	MIN. CABLE LENGTH
UTP28X3Y**	3 FEET
UTP28X5Y**	5 FEET
UTP28X7Y**	7 FEET
UTP28X10Y**	10 FEET
UTP28X14Y**	14 FEET
UTP28X20Y**	20 FEET
UTP28X1MY**	1 METER
UTP28X1.5MY**	1.5 METER
UTP28X2MY**	2 METER
UTP28X3MY**	3 METER
UTP28X5MY**	5 METER

B

B



PART NUMBER UTP28X <del>AAA</del> Y**	PRODUCT SPEC/PKG SPEC N/A
D.T. NUMBER N/A	WORK INSTRUCTION N/A

TITLE  
**CATEGORY 6A UTP 28AWG COPPER PATCH CORDS (CM/LSZH)**  
CUSTOMER DRAWING

ITEM REVISION NAME 13M465AE/02	
DATASET FILE NAME 13M465AE_DC02/02A	

UNLESS OTHERWISE SPECIFIED, DIMENSIONAL TOLERANCES ARE: IN [ mm ]		MATERIAL:
.x ± .06 [ 1.5 ]	.xxx ± .010 [ .3 ]	DRAWING NUMBER: 13M465AE-02
.xx ±	ANGLES ±	
		THIRD ANGLE PROJECTION

REV	DATE	BY	CHK	APR	DESCRIPTION	ECN
3	12-21-17	MDJR	MATO	SRSE	SEE SHEET 1 FOR REVISION HISTORY	13M465AE-02
2	6-2-16	BJN	DCS	TMBA	SEE SHEET 1 FOR REVISION HISTORY	13M465AE-02
1	12-29-15	BJN	DCS	TMBSA	SEE SHEET 1 FOR REVISION HISTORY	13M465AE-02
R	11-20-14	BJN	BJBE /DCS	FMS	SEE SHEET 1 FOR REVISION HISTORY	13M465AE-02

DRAWN BY BJN	DATE 11-20-14	CHK DCS	SCALE NONE	SHT 2 OF 2	SIZE A
-----------------	------------------	------------	---------------	------------	-----------

2

1

A

A

D10100DA/14