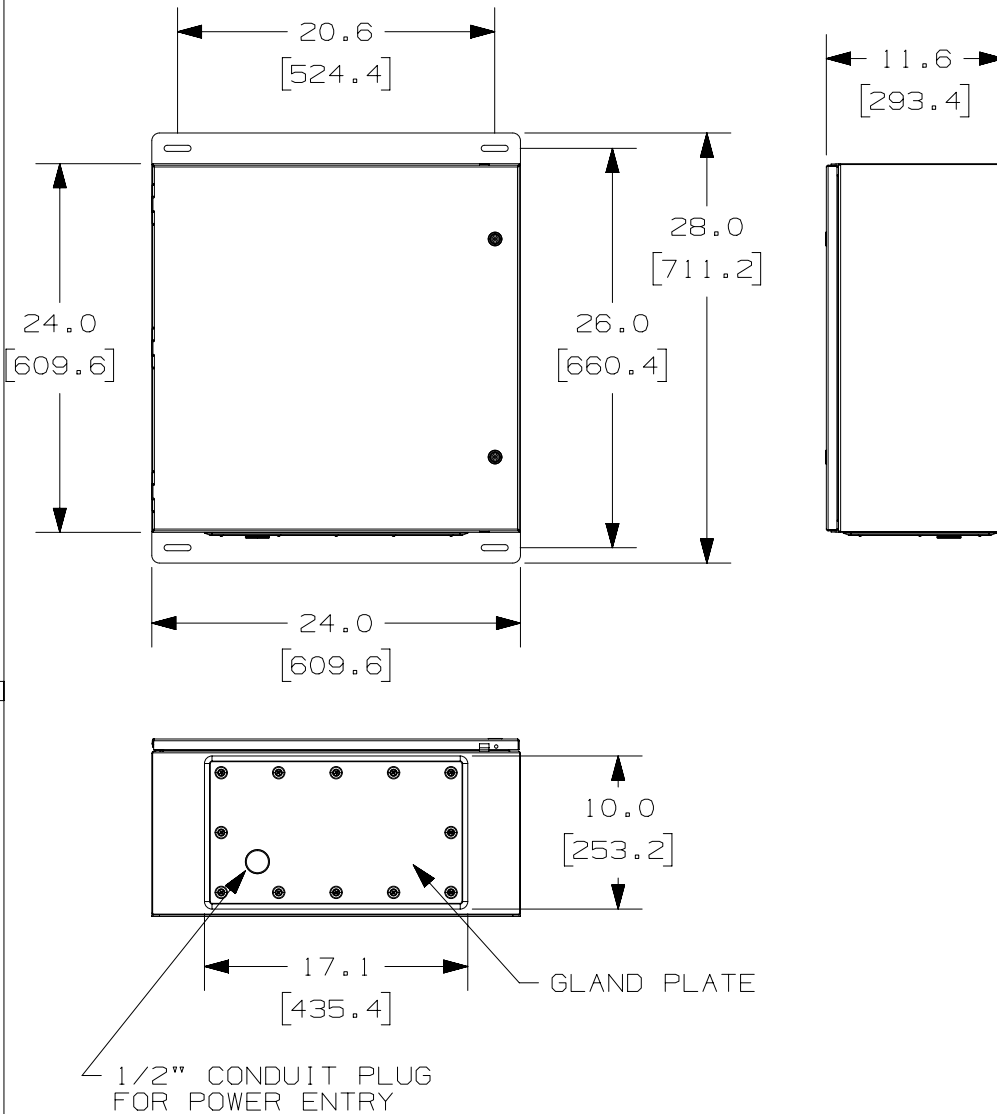


THIS COPY IS PROVIDED ON A RESTRICTED BASIS AND IS NOT TO BE USED IN ANY WAY DETRIMENTAL TO THE INTERESTS OF PANDUIT CORP.

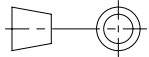


WIDTH	HEIGHT	DEPTH	WEIGHT
24.0"	24.0"	11.6"	95 LBS 43 KG

NOTES:

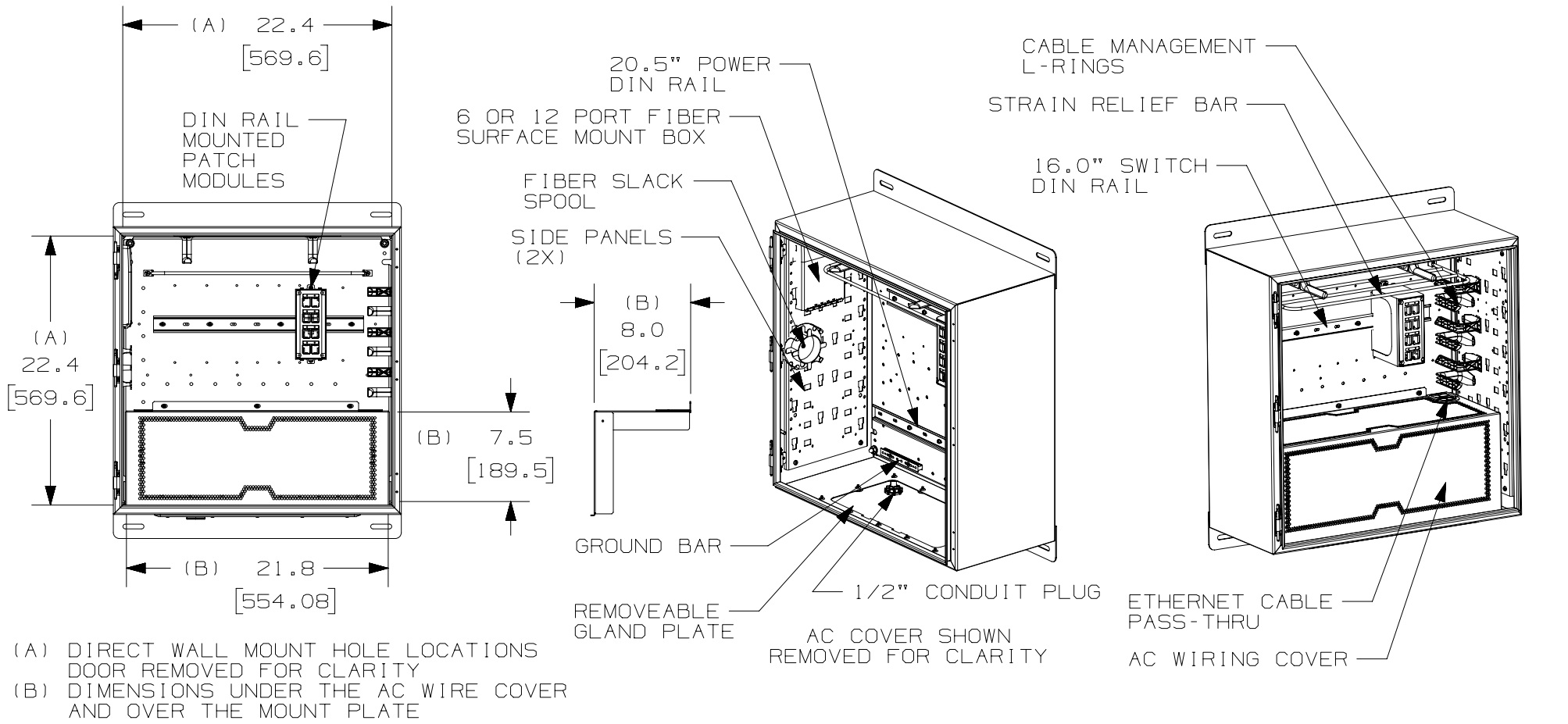
- DIMENSIONS IN PARENTHESES ARE IN METRIC.
- ENCLOSURE INCLUDES:
 - (2) CABLE MANAGEMENT SIDE PANELS
 - (1) TOP SLACK PLATE
 - (1) BLANK GLAND PLATE FOR CABLE ENTRY AND EXIT
 - (1) 1/2" CONDUIT PLUG FOR POWER ENTRY
 - (1) 6 PORT GROUND BAR
 - (2) EXTERNAL MOUNT FLANGES
 - (1) PROTECTIVE AC WIRING COVER
 - (1) DIN RAIL FOR SWITCHES (16.0")
 - (1) DIN RAIL FOR POWER ACCESSORIES (20.5")
 - (1 OR 2) 8 PORT DIN RAIL MOUNT COPPER PATCH MODULE (CDPP8RG)
 - (1 OR 2) 8 PORT DIN RAIL MOUNT FIBER PATCH MODULE (FDME8RG)
 - (1) 6 OR 12 PORT FIBER UPLINK PATCH PANEL (6 PORT - CBXF6BL-AY, 12 PORT - CBXF12BL-AY)
 - (1) FIBER SLACK SPOOL
 - (1) STRAIN RELIEF BAR
 - (10) CABLE MANAGEMENT L RINGS
- ALL ZONE SYSTEMS ARE WALL MOUNTABLE WITH THE OPTION TO USE OUTSIDE EXTERNAL MOUNT FLANGES.
- ALL ENCLOSURES ARE NEMA TYPE 4/12 AND IP66 RATED.
- 316 STAINLESS STEEL ENCLOSURES ARE RATED NEMA 4X.
- STEEL AND STAINLESS STEEL ENCLOSURES ARE MADE FROM 16 GAUGE STEEL.

TITLE
 NETWORK ZONE SYSTEM, 24" X 24" ENCLOSURE
 WITH CABLE MANAGMENT ACCESSORIES
 CUSTOMER DRAWING

ITEM REVISION NAME 15V510BD/00		PANDUIT
DATASET FILE NAME 15V510BD_DC_00A		
UNLESS OTHERWISE SPECIFIED, DIMENSIONAL TOLERANCES ARE: IN (mm)		MATERIAL: N/A
.x ± .1 [2.54] .xxx ± .005 [.127] .xx ± .01 [.25] ANGLES ± 5 °		DRAWING NUMBER: 15V510BD_DC
 THIRD ANGLE PROJECTION		
DRAWN BY JBO	DATE 2/21/18	CHK NWW SCALE 1:8
SHT 1 OF 2		SIZE A

REV	DATE	BY	CHK	APR	DESCRIPTION	ECN
00A	2/21/18	JBO	NWW	TIMH	RELEASED TO CUSTOMER	15V510BD

THIS COPY IS PROVIDED ON A RESTRICTED BASIS AND IS NOT TO BE USED IN ANY WAY DETRIMENTAL TO THE INTERESTS OF PANDUIT CORP.



00A	2/21/18	JBO	NWW	TIMH	REFER TO SHEET 1			
REV	DATE	BY	CHK	APR	DESCRIPTION	ECN		

TITLE		NETWORK ZONE SYSTEM, 24" X 24" ENCLOSURE WITH CABLE MANAGMENT ACCESSORIES CUSTOMER DRAWING	
ITEM REVISION NAME		15V510BD/00	
DATASET FILE NAME		15V510BD_DC_00A	
UNLESS OTHERWISE SPECIFIED, DIMENSIONAL TOLERANCES ARE: IN (mm)		MATERIAL: N/A	
.x ± .1 [2.54] .xxx ± .005 [.127] .xx ± .01 [.25] ANGLES ± 5 °		DRAWING NUMBER: 15V510BD_DC	
DRAWN BY JBO		DATE 2/21/18	CHK NWW
SCALE 1:8		SHT 2 OF 2	
THIRD ANGLE PROJECTION		SIZE A	