

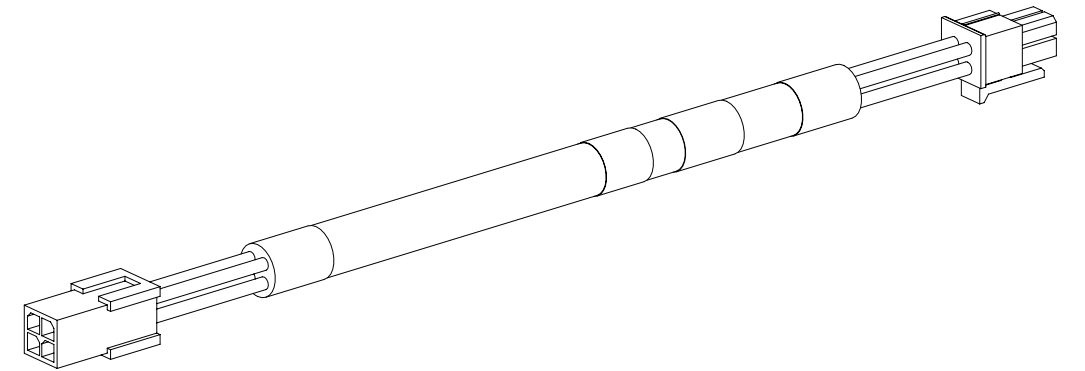
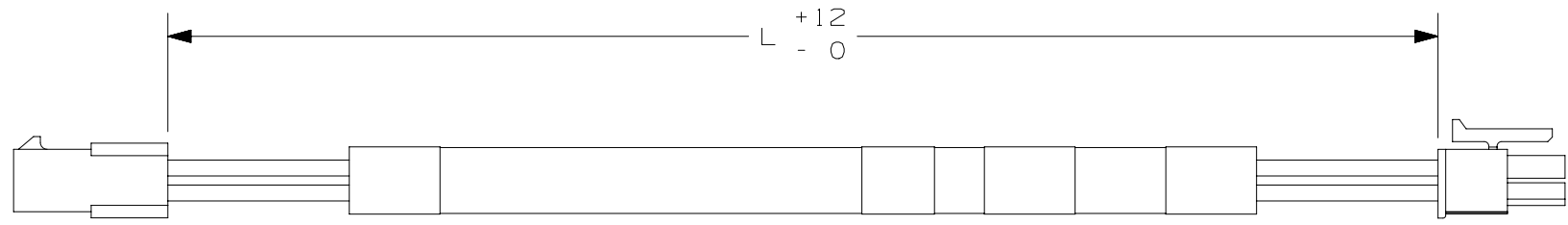
NOTES:

1. IDENTIFICATION: IDM INTEGRATED PROX READER HARNESS FOR ACCESS CONTROL HANDLE WITH INTEGRATED PROX READER

PART NO.  
ZC702\*

- 2. ALL DIMENSIONS ARE METRIC.
- 3. RoHS COMPLIANT.
- 4. VISIT OUR ON-LINE CATALOG AT WWW.PANDUIT.COM FOR A CURRENT LIST OF PRODUCTS APPLICABLE FOR USE WITH THIS PART.
- 5. ACCESS CONTROL HANDLE WITH PROX READER & INTELLIGENT DOOR MODULE NOT INCLUDED.

PART NUMBER	LENGTH "L"	CABINET LOCATION
ZC702A	540mm	FRONT HANDLE - 700mm
ZC702B	120mm	REAR HANDLE - 700mm
ZC702C	440mm	12RU CABINET
ZC702D	640mm	FRONT HANDLE - 800mm
ZC702E	170mm	REAR HANDLE - 800mm



REV	DATE	BY	CHK	APR	DESCRIPTION	ECN
05A	8-7-15	MRWA	RPO		G. UPDATED CAD MODEL	14V107LE_DC
04A	4-14-15	MRWA	CTN		F. ADDED CABINET LOCATION COLUMN E. ADDED PART NUMBERS ZC702D & ZC702E	14V107LE_DC
03A	3-23-15	MRWA	CTN		D. REMOVED "R" FROM PART NUMBERS ZC702A, ZC702B C. ADDED PART NUMBER ZC702C	14V107LE_DC
02A	3-16-15	MRWA	CTN		A. LENGTH WAS 550mm      B. LENGTH WAS 360mm	14V107LE_DC
00A	2-5-15	MRWA	CTN		RELEASED TO PRODUCTION	14V107LE_DC

TITLE		IDM PROX READER HARNESS	
ITEM REVISION NAME		CUSTOMER DRAWING	
DATASET FILE NAME		14V107LE/05	
DRAWN BY		MRWA	
DATE		2-5-15	
CHK		CTN	
SCALE		NONE	
MATERIAL:		N/A	
DRAWING NUMBER:		14V107LE_DC	
SHEET		SHT 1 OF 1	
SIZE		B	